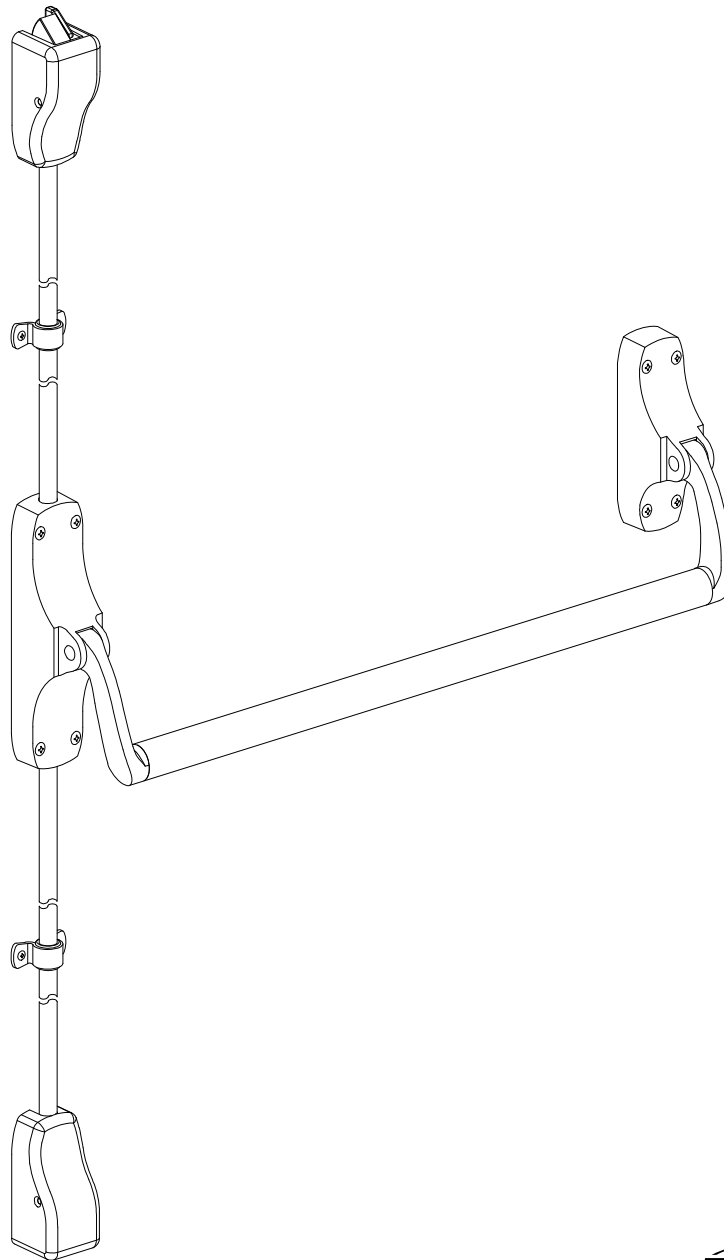


VON DUPRIN®

PARTS MANUAL

JULY 2009

8827 SURFACE VERTICAL ROD SERIES EXIT DEVICES



PM8827_A
VD-5556

IR Ingersoll Rand
Security Technologies

Copyright © 2009 Ingersoll-Rand. All rights reserved.

INDEX

General Information

Introduction	2
How to Order	2
Part Number Changes	2
8827 Series Finishes	3
Outside Trim Functions	3
Strikes	3

8827 Series Device Parts

Crossbars	4
Lever Arm Kits	5
Lever Arm Parts Packages	6
End Case Kit and End Case Parts	8
Backplate Conversion Kits	10
Center Case Parts: EO/EO-F, DT, TL/TL-F Exit Devices	10
Center Case Parts: K/K-F, K-NL/K-NL-F, L/L-F Exit Devices	11
Center Case Parts: TP/TP-F, TP-NL/TP-NL-F Exit Devices	12
Center Case Mounting Packages and Cylinder Anchor Plate	13
Center Case Kits	13
Latch Parts and Screw Packages	14
Latch Kits and Latch Cover Kits	15
Vertical Rods	16

INTRODUCTION

This manual contains a listing of replaceable parts and assemblies for the 8827 Series Panic and FEH Devices.

HOW TO ORDER

Some parts are sold separately. Other items are available as part of a kit or multiple quantity package. For the best possible service when ordering replacement parts or assemblies, please provide the following information:

- Part number or assembly number
- Description
- Quantity needed
- Finish desired (if available finished)
- Date of original purchase (if known)

To find out the name of your local Von Duprin distributor or sales representative, contact:

Von Duprin Division
Ingersoll-Rand Company
2720 Tobey Drive
Indianapolis, Indiana 46219
Phone: (800) 999-0408
Fax: (800) 999-0328

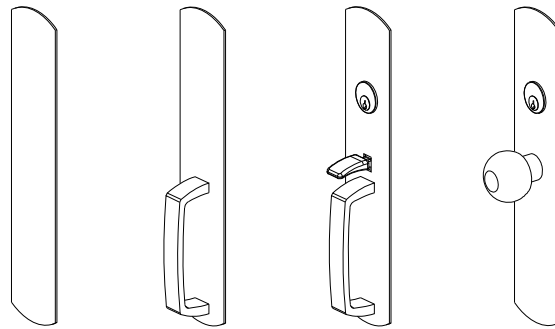
PART NUMBER CHANGES

This manual reflects the product as sold in July 2009. Because of changes to the product and/or manufacturing process, part numbers can change.

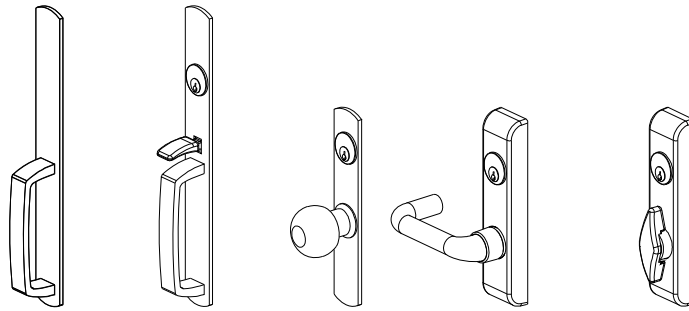
8827 SERIES FINISHES

US Number	BHMA Number	Color
US3	605	Brass, polished
US4	606	Brass, dull
US10	612	Bronze, dull
US10B	613	Brass, dull (oxidized)
US26	625	Chrome, polished
US26D	626	Chrome, dull
SPBLK	693	Gloss black powder

OUTSIDE TRIM FUNCTIONS

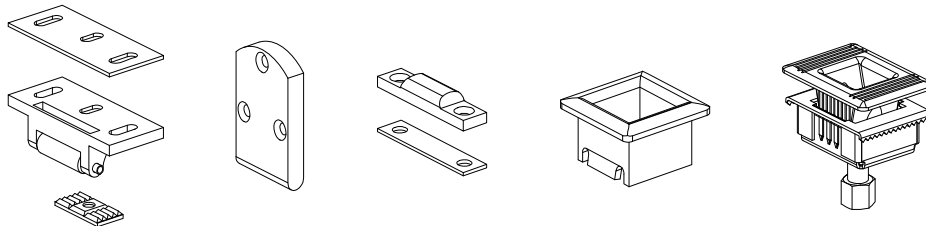


880EO 880DT 880TP 880K



608DT 608TP 606K 373L 377T

STRIKES

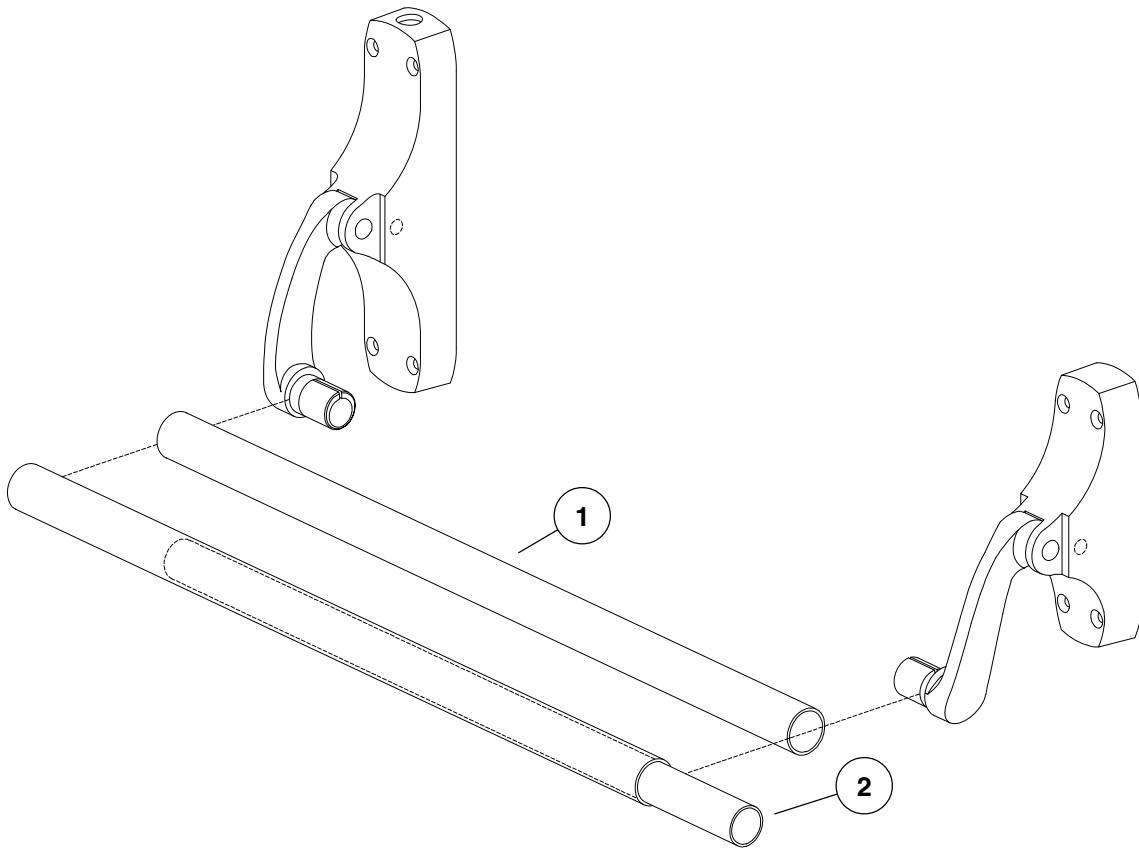


299 (top) 260U (top) 248L-4 (bottom) 304L (bottom) 385A (bottom)

CROSSBARS

Item No.	Part No.	Description	Quantity	Finish
1	050004	42" Standard Crossbar Kit	1	X
1	050005	42" Knurled Crossbar Kit	1	X
2	050459	37" Crossbar Reinforcement Kit	1	

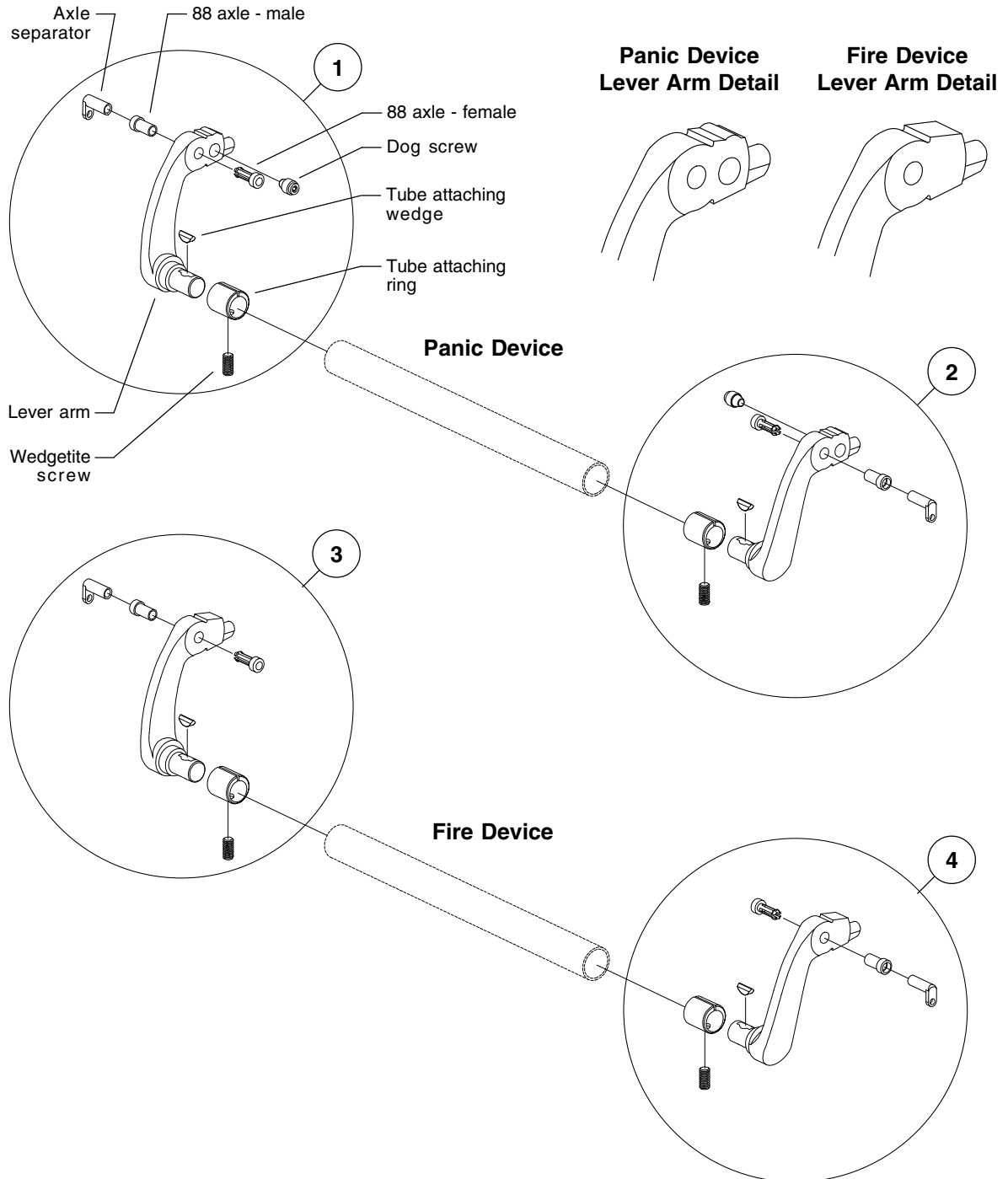
X in "Finish" column designates finished item; specify finish when ordering.



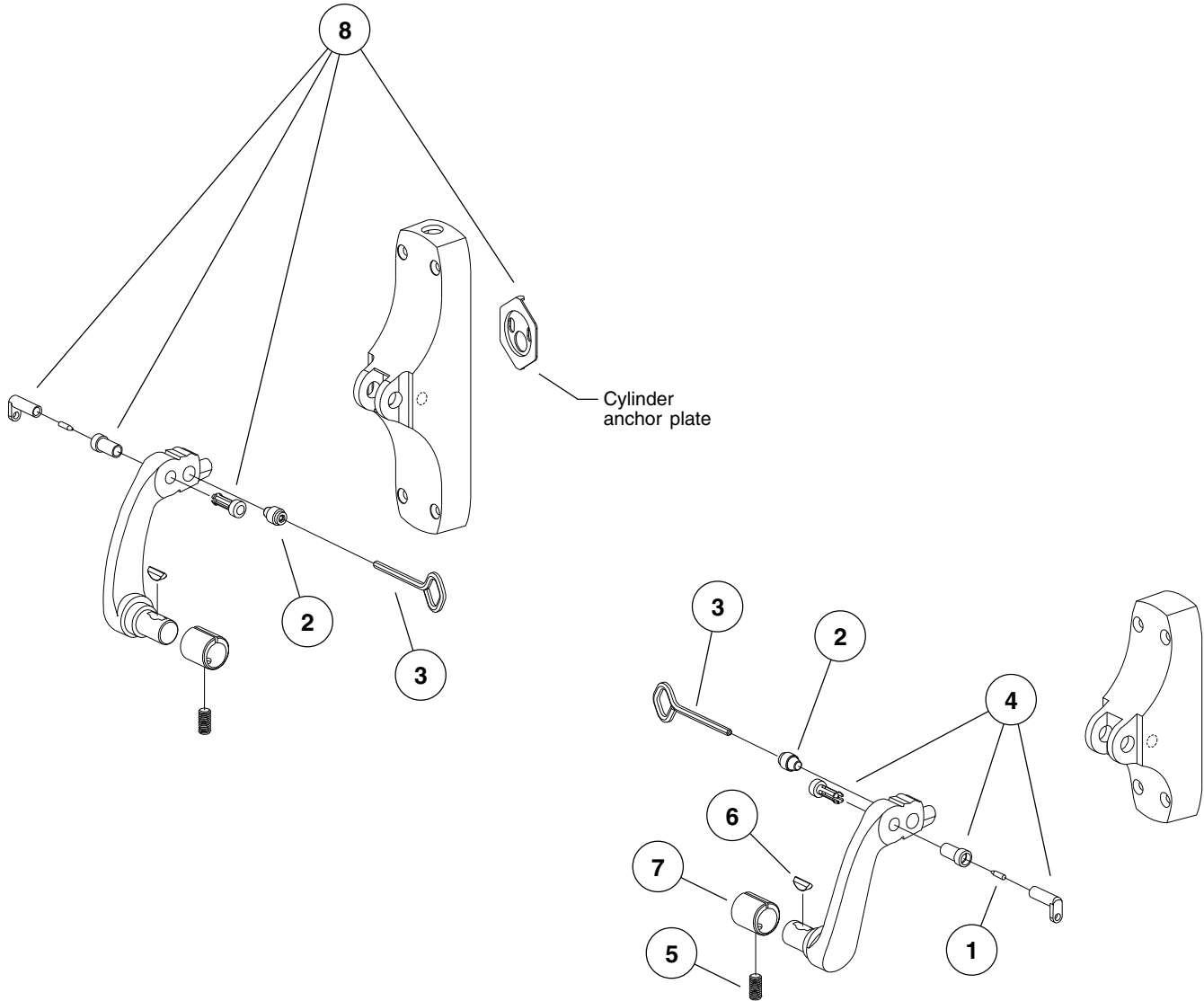
LEVER ARM KITS

Item No.	Part No.	Description	Quantity	Finish
1	050439	88 R/M/V LH Lever Arm Kit	1	X
2	050438	88 R/M/V RH Lever Arm Kit	1	X
3	050443	8827-F/47-F LH Lever Arm Kit	1	X
4	050442	8827-F/47-F RH Lever Arm Kit	1	X

X in "Finish" column designates finished item; specify finish when ordering.



LEVER ARM PARTS PACKAGES

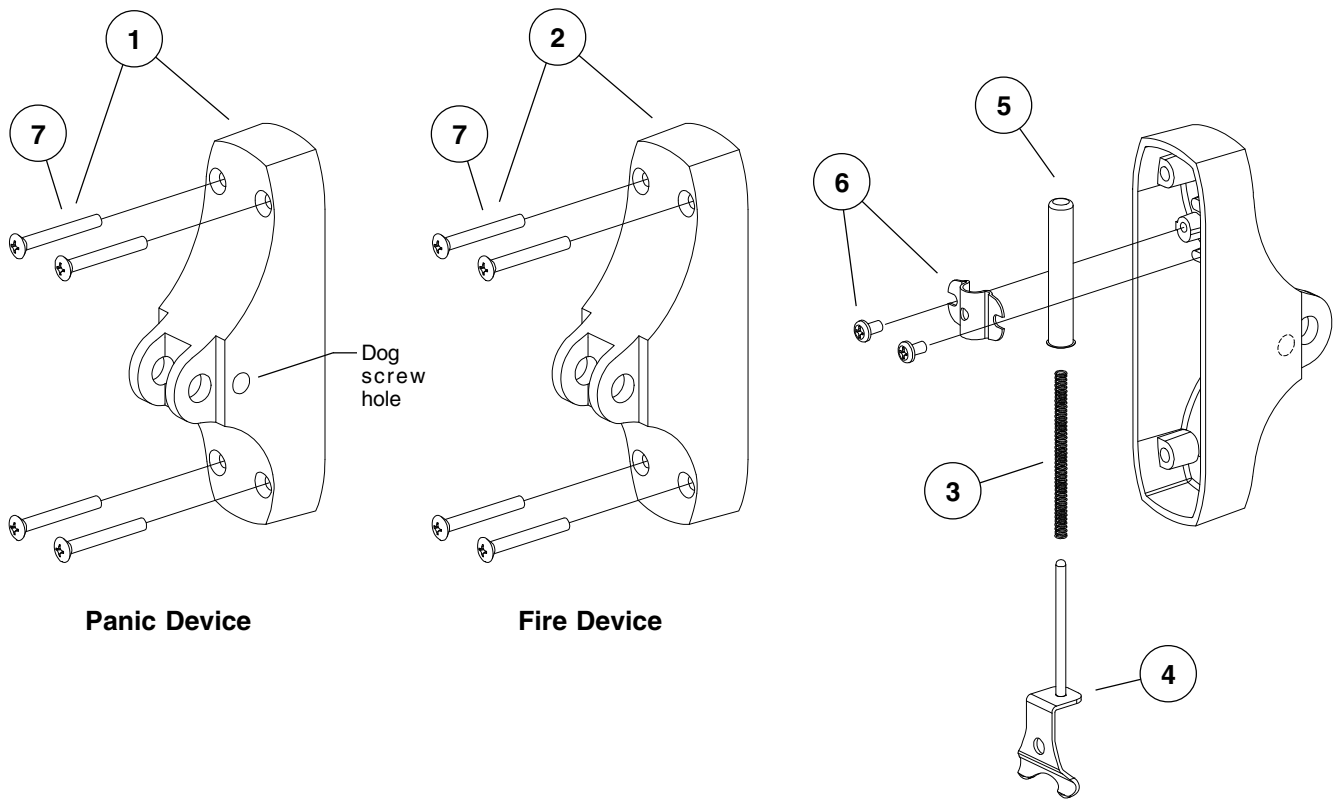


LEVER ARM PARTS PACKAGES

Item No.	Part No.	Description	Quantity	Finish
1	090007	Axle Security Pin Pkg.	10	
1	033022	Axle Security Pin Pkg.	50	
2	090004	Dog Screw Pkg.	2	
2	090083	Dog Screw Pkg.	10	
3	090005	227 Dog Key 5/32" Pkg.	2	
3	090085	227 Dog Key 5/32" Pkg.	10	
4	090006	88 Lever Arm Axles		
		88 Axle Separator	2	
		88 Axle - Male	2	
		88 Axle - Female	2	
4	090082	88 Lever Arm Axles		
		88 Axle Separator	10	
		88 Axle - Male	10	
		88 Axle - Female	10	
5	090008	Wedgetite Screw Pkg.	2	
5	090081	Wedgetite Screw Pkg.	30	
6	090020	Crossbar Tube Attaching Wedge Pkg.	2	
7	090021	Crossbar Tube Attaching Ring Pkg.	2	
8	103865	88 Lever Arm Axle Pkg.		
		Cyliner Anchor Plate	1	
		88 Axle Separator	1	
		88 Axle - Male	2	
		88 Axle - Female	2	

X in "Finish" column designates finished item; specify finish when ordering.

END CASE KIT AND END CASE PARTS

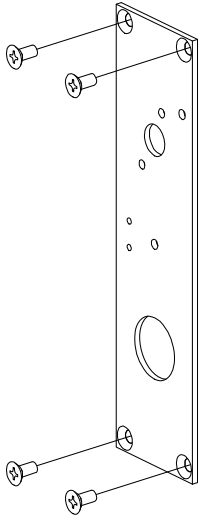


END CASE KIT AND END CASE PARTS

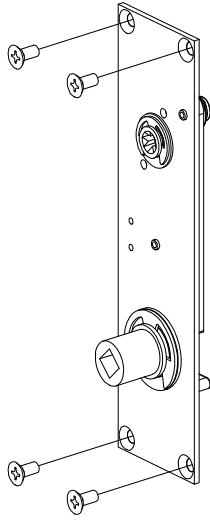
Item No.	Part No.	Description	Quantity	Finish
1	050435	88 R/M/V End Case Kit		X
		88 R/M/V End Case	1	
		10-24 x 1-1/2" OPHMS	4	
		10-24 x 2" OPHMS	4	
		10-12 x 10-24 x 2" OPHCS	4	
2	050436	8827-F/8875-F/8847-F End Case Kit		X
		88SV/CV/M-F End Case	1	
		10-24 x 1-1/2" OPHMS	4	
		10-24 x 2" OPHMS	4	
		10-12 x 10-24 x 2" OPHCS	4	
3	090003	88 End Case Spring Pkg.	2	
3	090080	88 End Case Spring Pkg.	10	
4	050451	88 End Case Spring Stop Kit	1	
5	050476	88/88-F End Case Spring Tube	1	
6	050477	88/88-F Spring Tube Bracket w/Screws Kit		
		88/88-F Spring Tube Bracket	1	
		88/88-F Spring Tube Bracket Screws	2	
7	900503	88 Center or End Case Mtg. Pkg. (CS and MS screws)		X
		10-24 x 1-1/2" OPHMS	4	
		10-24 x 2" OPHMS	4	
		10-12 x 10-24 x 2" OPHCS	4	
7	900504	88 Center or End Case Mtg. Pkg. (CS screws)		X
		10-12 x 10-24 x 2" OPHCS	4	
7	900505	88 Center or End Case Mtg. Pkg. (MS screws 1-3/4" door)		X
		10-24 x 1-1/2" OPHMS	4	
7	900506	88 Center or End Case Mtg. Pkg. (MS screws 2-1/4" door)		X
		10-24 x 2" OPHMS	4	

X in "Finish" column designates finished item; specify finish when ordering.

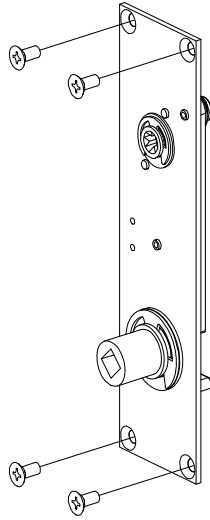
BACKPLATE CONVERSION KITS



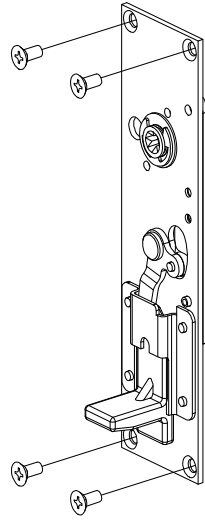
8827CK-EO/DT/TL
Part No. 050447



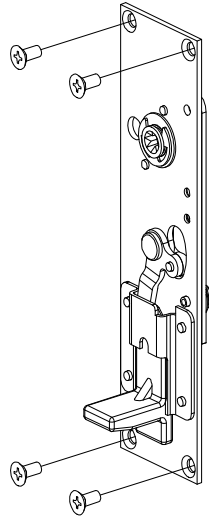
8827CK-K/L-K/L-F
Part No. 050200



8827CK-K-NL/K-NL-F
Part No. 050201



8827CK-TP/TP-F
Part No. 050104

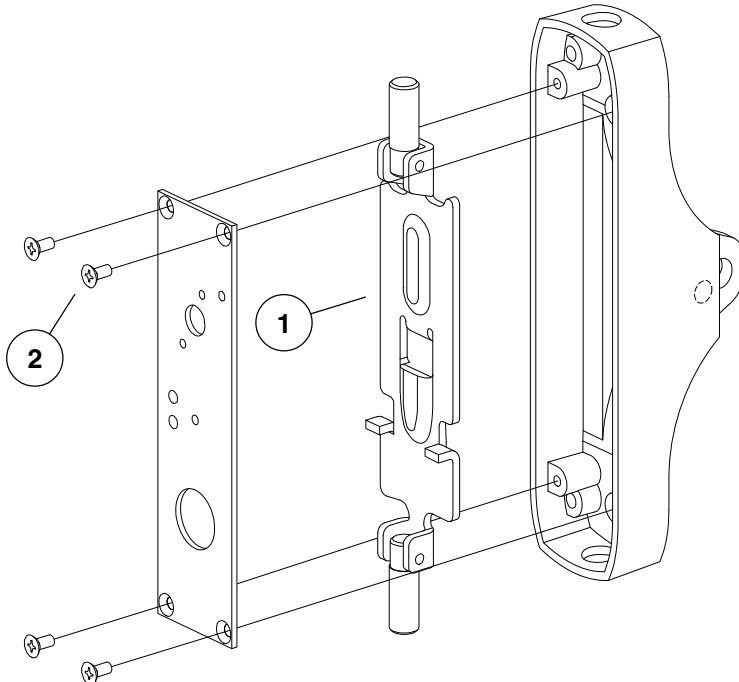


8827CK-TP-NL/TP-NL-F
Part No. 050202

CENTER CASE PARTS: EO/EO-F, DT, TL/TL-F EXIT DEVICES

Item No.	Part No.	Description	Quantity	Finish
1	050446	8827/27-F Rod Control	1	
2	900615	8827 Backplate Screw Pkg.		
		#8-32 x 3/8" UFPHMS	4	

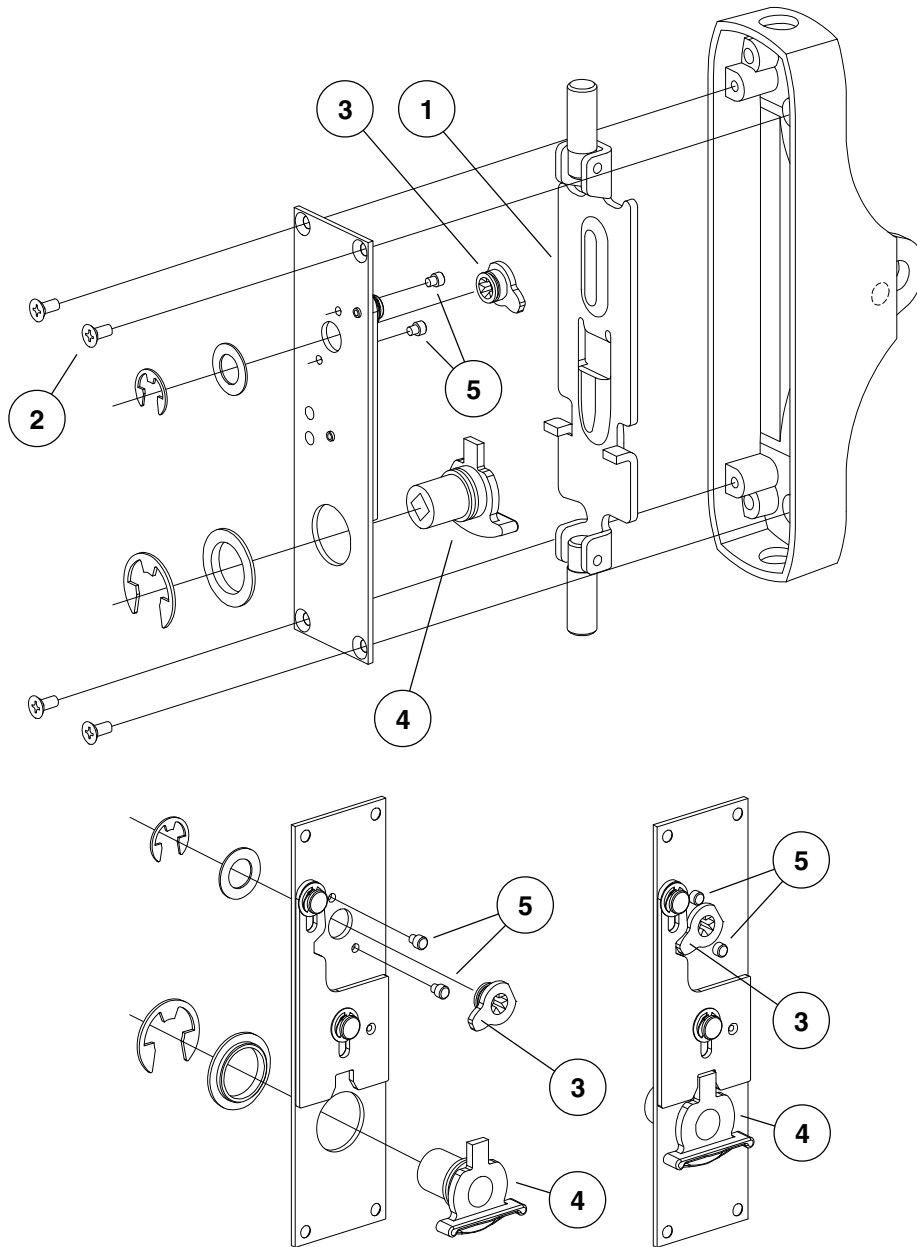
X in "Finish" column designates finished item; specify finish when ordering.



CENTER CASE PARTS: K/K-F, K-NL/K-NL-F, L/L-F EXIT DEVICES

Item No.	Part No.	Description	Quantity	Finish
1	050260	8827/27-F Rod Control	1	
2	900615	8827 Backplate Screw Pkg. #8-32 x 3/8" UFPHMS	4	
3	050448	8827K/K-NL/TP/TP-NL-F Cylinder Cam	1	
4	050449	8827K/K-NL-F Knob Hub	1	
5	090012	8827K-NL/TP-NL Backplate Pin Pkg. (for K-NL only)	2	

X in "Finish" column designates finished item; specify finish when ordering.

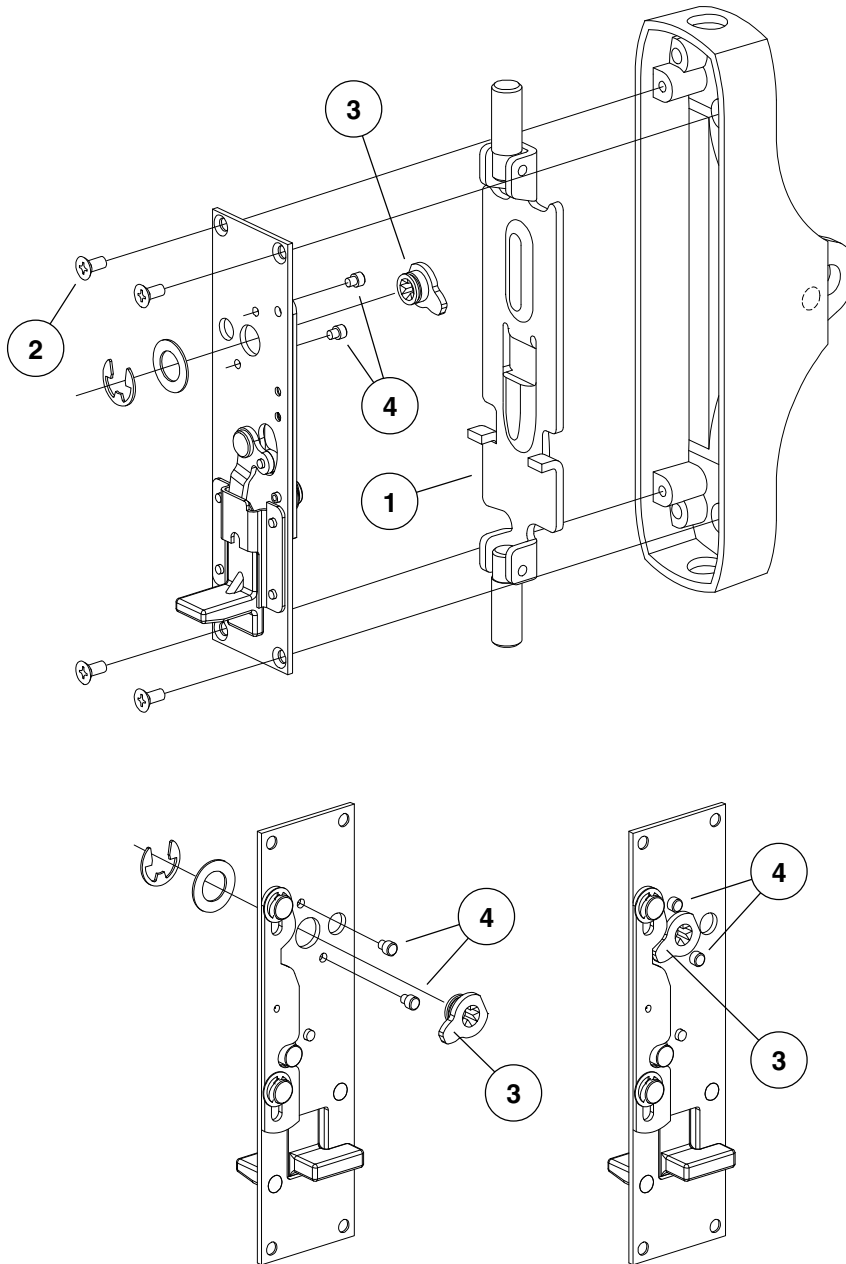


Rear View of Backplate Showing Cylinder Cam and Knob Hub Installation

CENTER CASE PARTS: TP/TP-F, TP-NL/TP-NL-F EXIT DEVICES

Item No.	Part No.	Description	Quantity	Finish
1	050446	8827/27-F Rod Control	1	
2	900615	8827 Backplate Screw Pkg.		
		#8-32 x 3/8" UFPHMS	4	
3	050448	8827K/K-NL/TP/TP-NL-F Cylinder Cam	1	
4	090012	8827K-NL/TP-NL Backplate Pin Pkg. (for TP-NL only)	2	

X in "Finish" column designates finished item; specify finish when ordering.

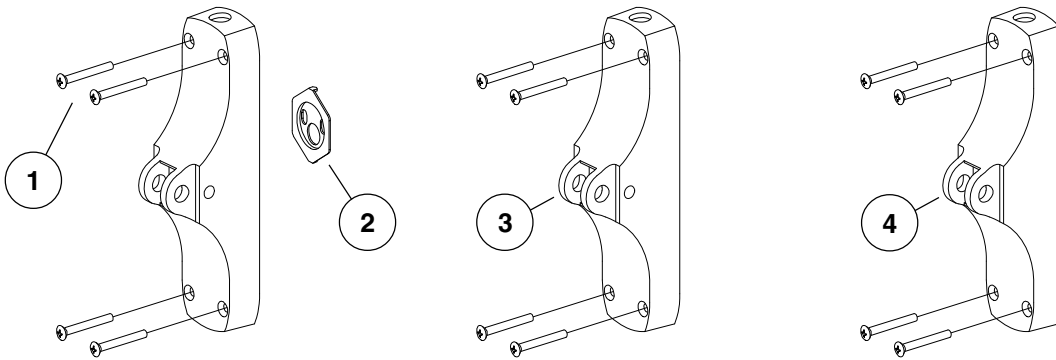


Rear View of Backplate Showing Cylinder Cam and Backplate Pin Installation

CENTER CASE MOUNTING PACKAGES AND CYLINDER ANCHOR PLATE

Item No.	Part No.	Description	Quantity	Finish
1	900503	88 Center or End Case Mtg. Pkg. (CS and MS screws)		X
		10-24 x 1-1/2" OPHMS	4	
		10-24 x 2" OPHMS	4	
		10-12 x 10-24 x 2" OPHCS	4	
1	900504	88 Center or End Case Mtg. Pkg. (CS screws)		X
		10-12 x 10-24 x 2" OPHCS	4	
1	900505	88 Center or End Case Mtg. Pkg. (MS screws 1-3/4" door)		X
		10-24 x 1-1/2" OPHMS	4	
1	900506	88 Center or End Case Mtg. Pkg. (MS screws 2-1/4" door)		X
		10-24 x 2" OPHMS	4	
2	050331	88 Cylinder Anchor Plate	1	

X in "Finish" column designates finished item; specify finish when ordering.



CENTER CASE KITS (includes Mounting Package part No. 500503)

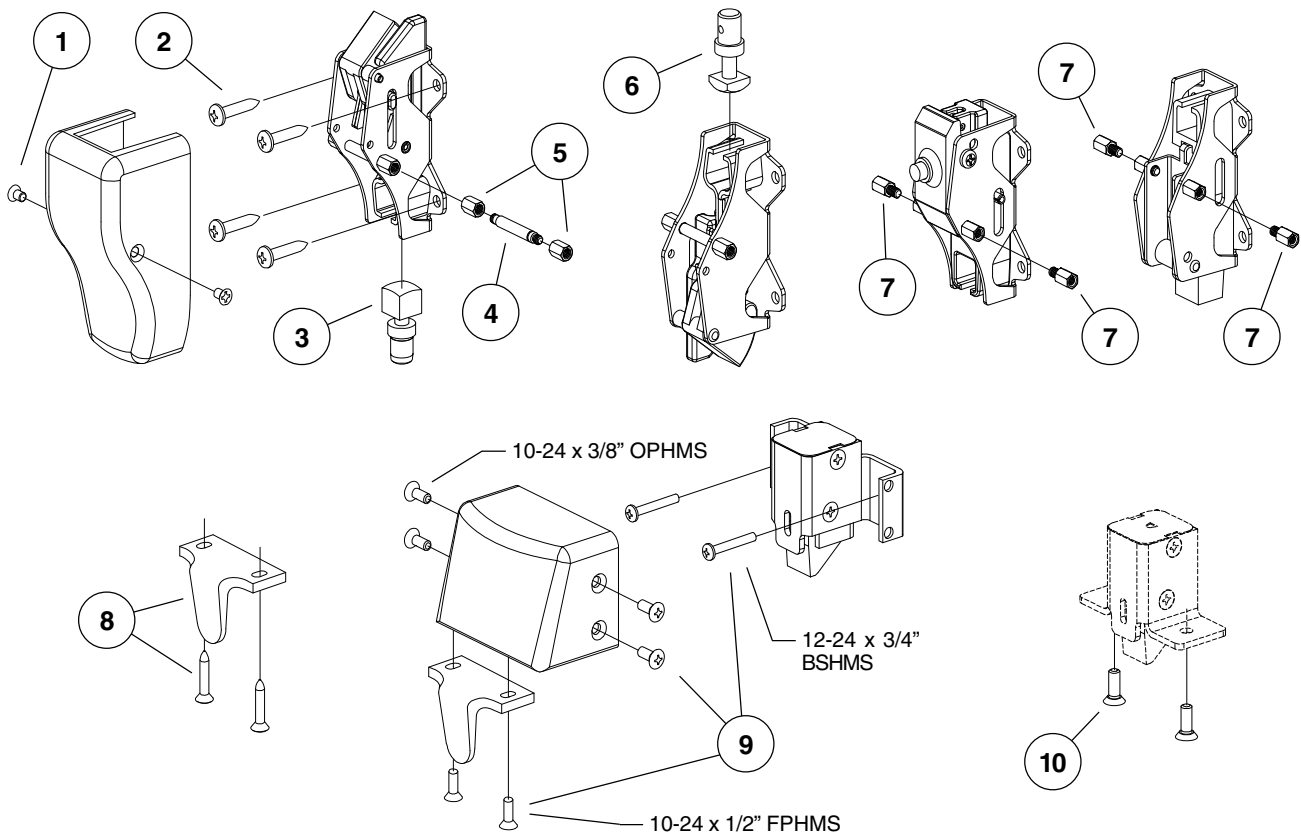
Item No.	Part No.	Description	Quantity	Finish
3	050415	8827EO/DT/TL Center Case Kit	1	X
3	050416	8827TP Center Case Kit	1	X
3	050417	8827K/L Center Case Kit	1	X
3	050418	8827TP-NL Center Case Kit	1	X
3	050419	8827K-NL Center Case Kit	1	X
4	050430	8827EO-F/TL-F Center Case Kit	1	X
4	050431	8827TP-F Center Case Kit	1	X
4	050432	8827K/L-F Center Case Kit	1	X
4	050433	8827TP-NL-F Center Case Kit	1	X
4	050434	8827K-NL-F Center Case Kit	1	X

X in "Finish" column designates finished item; specify finish when ordering.

LATCH PARTS AND SCREW PACKAGES

Item No.	Part No.	Description	Quantity	Finish
1	900850	8827 Latch Case Cover Screw Package		X
		8-32 x 1/4" UFPHMS	2	
2	900501	8827 Latch Case Mounting Package		
		10-12 x 10-24 x 1" BPHCS	4	
3	050279	8827 LR Top Rod Connector	1	
4	050328	8827 Chassis Tie Rod	1	
5	050277	8827 Latch Special Chassis Nut	1	
6	050327	8827 LR Bottom Rod Connector	1	
7	050478	8827-F Special Chassis Hex Stud	1	
8	107765	8827-F Plunger Release Bracket	1	X
9	900852	8827-F Flush Transom Latch Screw Pkg.		X
		10-24 x 1/2" FPHMS	2	
		10-24 x 3/8" OPHMS	4	
		12-24 x 3/4" BSMHS	2	
10	900502	8827/47-F Soffit Latch Mounting Package		
		12-24 x 1/2" UFPHMS	2	

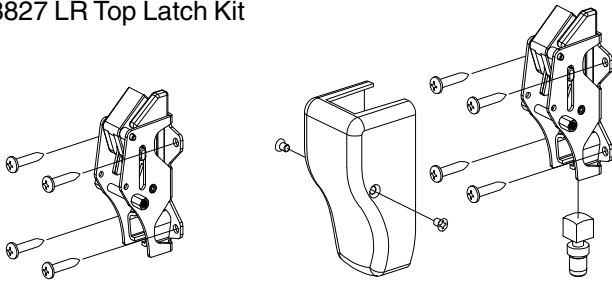
X in "Finish" column designates finished item; specify finish when ordering.



LATCH KITS AND LATCH COVER KITS

Specify Finish when Ordering Latch Kits with Covers and Latch Cover Kits

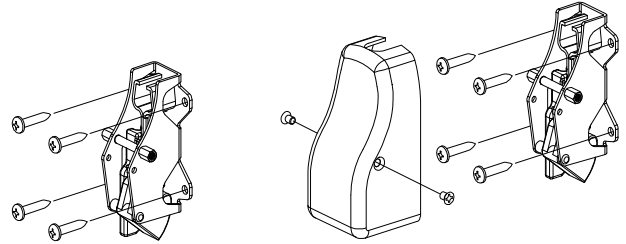
8827 LR Top Latch Kit



Less Cover
Part No. 050460

With Cover
Part No. 050466

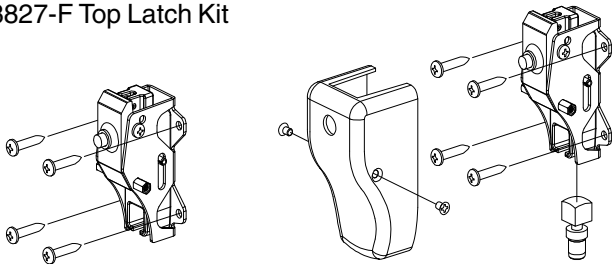
8827 LR Bottom Latch Kit



Less Cover
Part No. 050461

With Cover
Part No. 050467

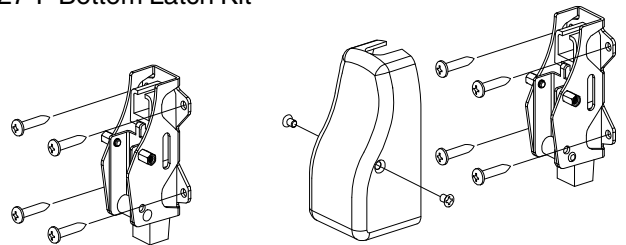
8827-F Top Latch Kit



Less Cover
Part No. 050462

With Cover
Part No. 050468

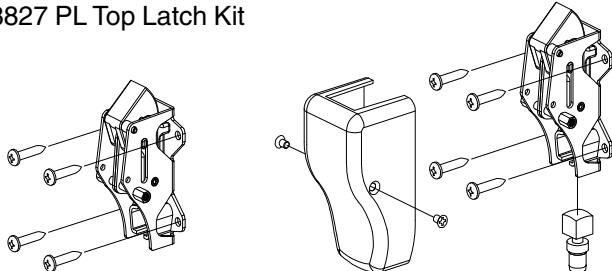
8827-F Bottom Latch Kit



Less Cover
Part No. 050463

With Cover
Part No. 050469

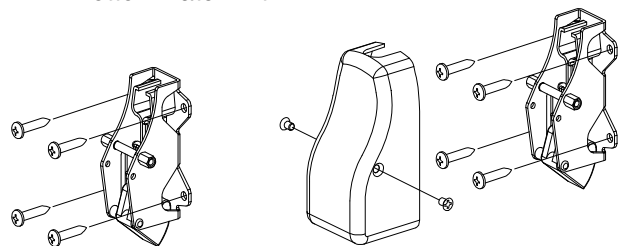
8827 PL Top Latch Kit



Less Cover
Part No. 050471

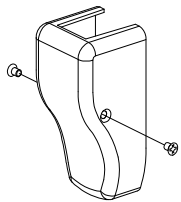
With Cover
Part No. 050473

8827 PL Bottom Latch Kit

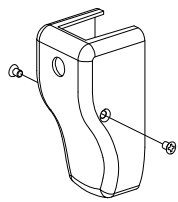


Less Cover
Part No. 050472

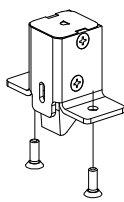
With Cover
Part No. 050479



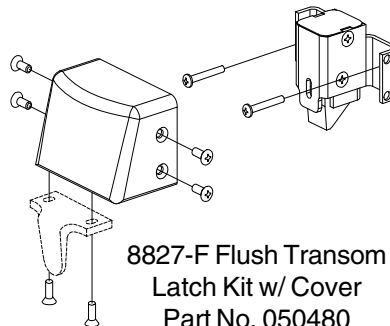
8827 Latch
Cover Kit
Part No. 050464



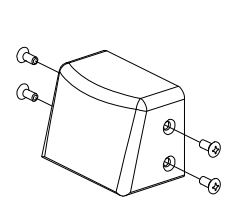
8827-F Top Latch
Cover Kit
Part No. 050465



8827-F/47-F
Soffit Latch Kit
Part No. 114141



8827-F Flush Transom
Latch Kit w/ Cover
Part No. 050480



8827-F Flush Transom
Latch Cover Kit
Part No. 050481

VERTICAL RODS

Item No.	Part No.	Description	Quantity	Finish
1	050453	8827 Top Rod Kit	1	X
2	050454	8827-F Top Rod Kit	1	X
3	050455	8827 Bottom Rod Kit	1	X
4	050456	8827-F Bottom Rod Kit	1	X
5	090010	8827/27-F Bottom Rod Roll Pin Pkg.	10	
6	051701	8827 12" Extension Rod Kit	1	X
7	051703	8827 24" Extension Rod Kit	1	X
8	050093	8827 Extension Rod Coupling	1	
9	050482	8827 Rod Guide Kit	1	X
10	900534	8827 Rod Guide Mounting Pkg.		X
		10-12 x 10-24 x 1 PTHCS	2	

X in "Finish" column designates finished item; specify finish when ordering.

