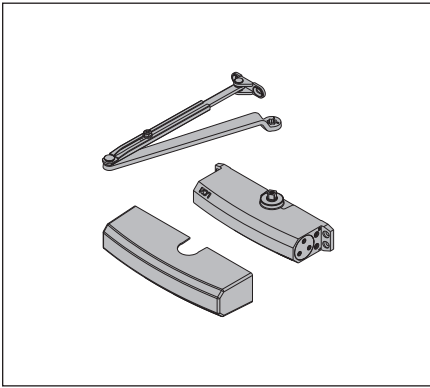
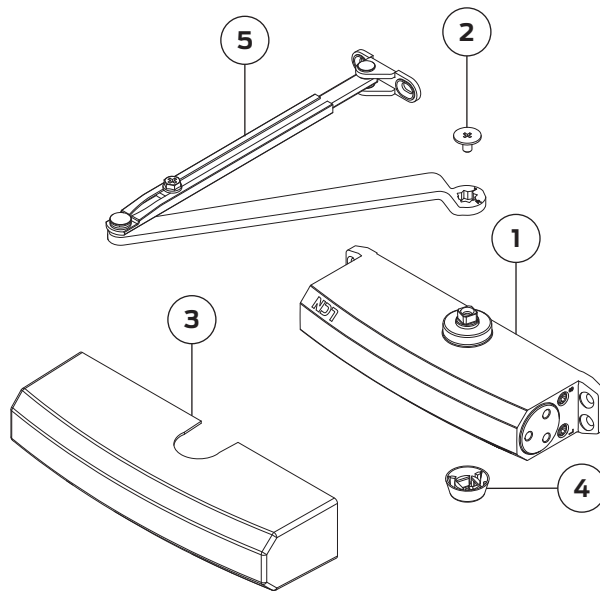


## 1250 Series



Cylinder & Cover Parts

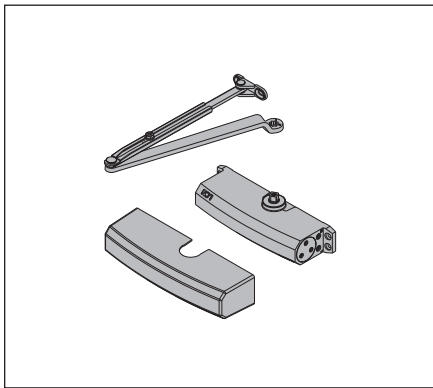


No.	Description	Part number
1	Cylinder Assembly (F)(S)	1250-3071
2	Arm Screw (F)	1250-UNIV
3	Slim Line Cover (F)	1250-72
4	Pinion Cap Cover (F)	1250-146

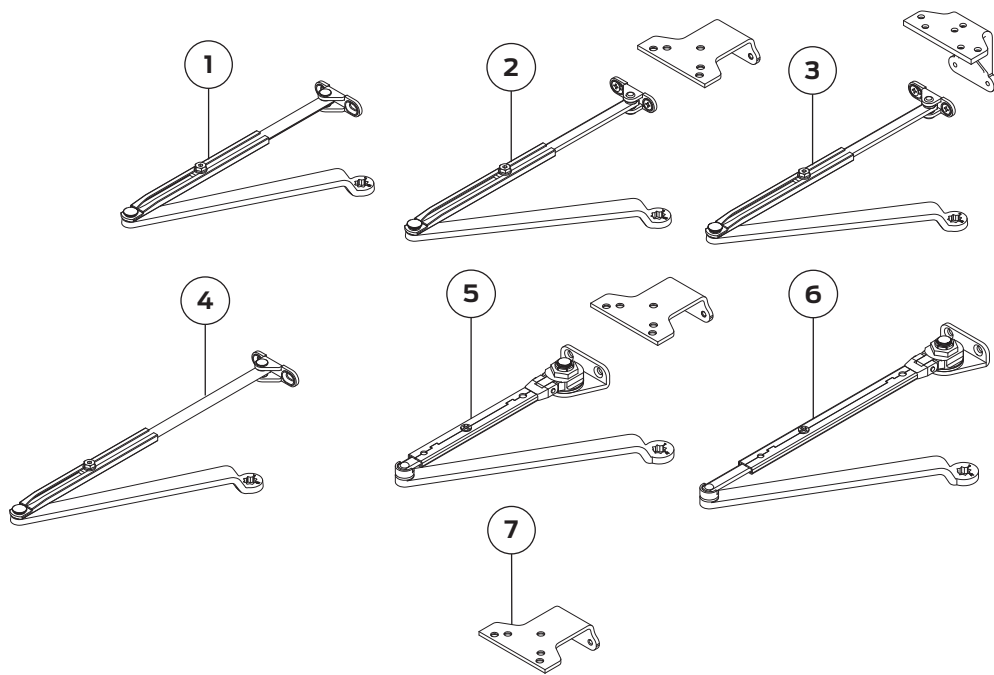
No.	Description	Part number
5	Reg Arm (F)	1250-3077
6	Screw Pack (Not Shown) (F)	1250-UNIV
7	Screw Pack (Not Shown) (F)	1250-TORX

Please specify finish (F), size (S), hand (H), & voltage (V) where indicated. See the latest edition of the LCN catalog for part descriptions and specifications on many of the items shown above. List prices for items shown above can be located in the current LCN price book.

## 1250 Series



### Arm Assemblies & Parts

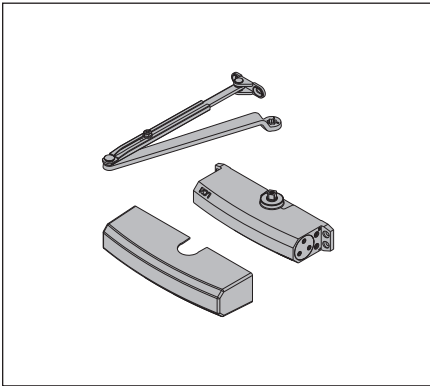


No.	Description	Part number
1	Reg Arm (F)	1250-3077
2	Reg Arm w/ 62PA (F)	1250-3077/PA
3	Reg Arm w/ 62A Shoe (F)	1250-3077/62A
4	Long Arm (F)	1250-3077L

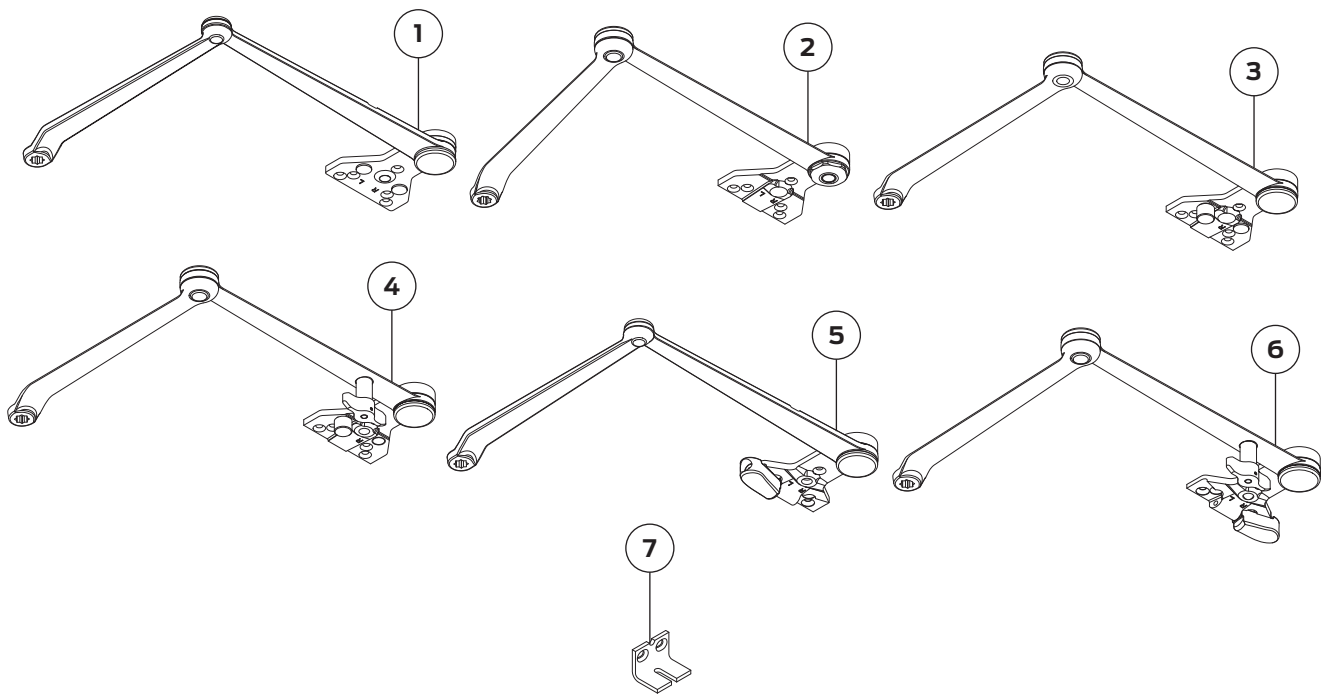
No.	Description	Part number
5	Hold Open Arm w/ 62PA (F)	1250-3049/PA
6	Hold Open Long Arm (F)	1250-3049L
7	PA Shoe (F)	1250-62PA

Please specify finish (F), size (S), hand (H), & voltage (V) where indicated. See the latest edition of the LCN catalog for part descriptions and specifications on many of the items shown above. List prices for items shown above can be located in the current LCN price book.

## 1250 Series



### Arm Assemblies & Parts

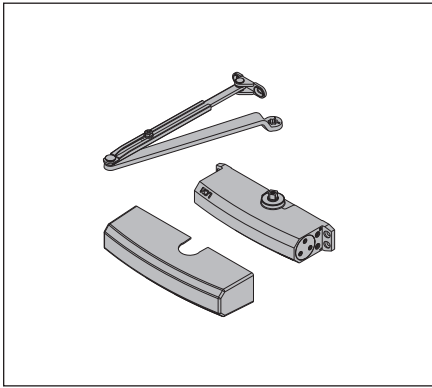


No.	Description	Part number
1	EDA Arm (F)	1250-3077EDA
2	Hold Open EDA (F) (H)	1250-3049EDA
3	CUSH Arm (F)	1250-3077CUSH
4	Hold Open CUSH Arm (F)	1250-3049CUSH

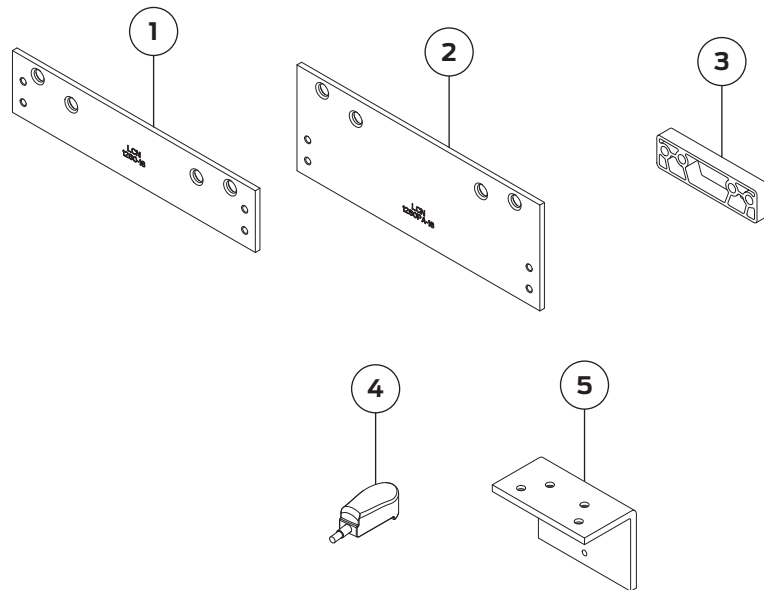
No.	Description	Part number
5	Spring CUSH Arm (F)	1250-3077SCNS
6	Hold Open Spring CUSH Arm (F)	1250-3049SCNS
7	CUSH Shoe Support (F)	1250-30

Please specify finish (F), size (S), hand (H), & voltage (V) where indicated. See the latest edition of the LCN catalog for part descriptions and specifications on many of the items shown above. List prices for items shown above can be located in the current LCN price book.

## 1250 Series



### Mounting Plates & Miscellaneous Parts



No.	Description	Part number
1	18 Mounting Plate (F)	1250-18
2	18PA Mounting Plate (F)	1250-18PA
3	Blade Stop Spacer (F)	1250-61

No.	Description	Part number
4	Spring CUSH Block (F)	1250-3080
5	Flush Panel Adapter (F)	1250-419

Please specify finish (F), size (S), hand (H), & voltage (V) where indicated. See the latest edition of the LCN catalog for part descriptions and specifications on many of the items shown above. List prices for items shown above can be located in the current LCN price book.