



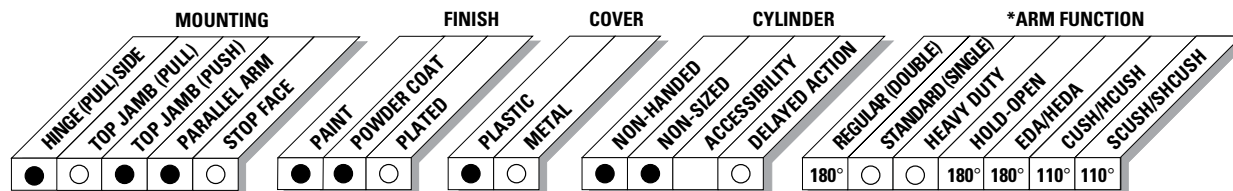
The 1250 Series cast aluminum closer is designed for low-frequency and low abusive traffic areas. This cast aluminum closer is ideal for aluminum storefronts, interior offices and many other applications. Combining dependable operation, low maintenance and a patented stylish look - with or without the optional slim line cover. And with the most common hole pattern in the industry, the 1250 Series is the perfect choice for easy aftermarket replacement.

<b>Certifications</b>	Grade 1 - ANSI A156.4, UL 10C, ADA, 100 Hour Salt Spray, Meets BAA - Buy American Act
<b>Body Construction</b>	<ul style="list-style-type: none"> <li>Cast Aluminum Body</li> <li>Full Complement Bearing</li> <li>1-3/8" Diameter Piston</li> <li>5/8" Diameter Single Heat Treated Pinion Journal</li> </ul>
<b>Fluid</b>	All Weather Fluid
<b>Handing</b>	Non-Handed
<b>Templating</b>	Peel-n-Stick templates - 3/4" x 9-1/16" Mounting Hole Pattern
<b>Size</b>	Adjustable Spring Size 1-5
<b>Warranty</b>	15 years

<b>Cover</b>	<ul style="list-style-type: none"> <li>Slim Line Cover, Optional</li> </ul>
<b>Fasteners</b>	Universal Screw Pack (UNIV)
<b>Mounting</b>	Hinge (Pull Side), Top Jamb (Push Side), Parallel Arm (Push Side)
<b>Arms</b>	Tripack includes Regular, Top Jamb, and Parallel Arm (Rw/PA)
<b>Finishes/Colors/ Powder Coat</b>	<ul style="list-style-type: none"> <li>Aluminum (689)</li> <li>Statuary Bronze (690)</li> <li>Light Bronze (691)</li> <li>Black (693)</li> <li>Dark Bronze (695)</li> <li>Brass (696)</li> <li>Custom colors optional</li> </ul>
	<ul style="list-style-type: none"> <li>Optional SRI primer - powder coat only</li> </ul>

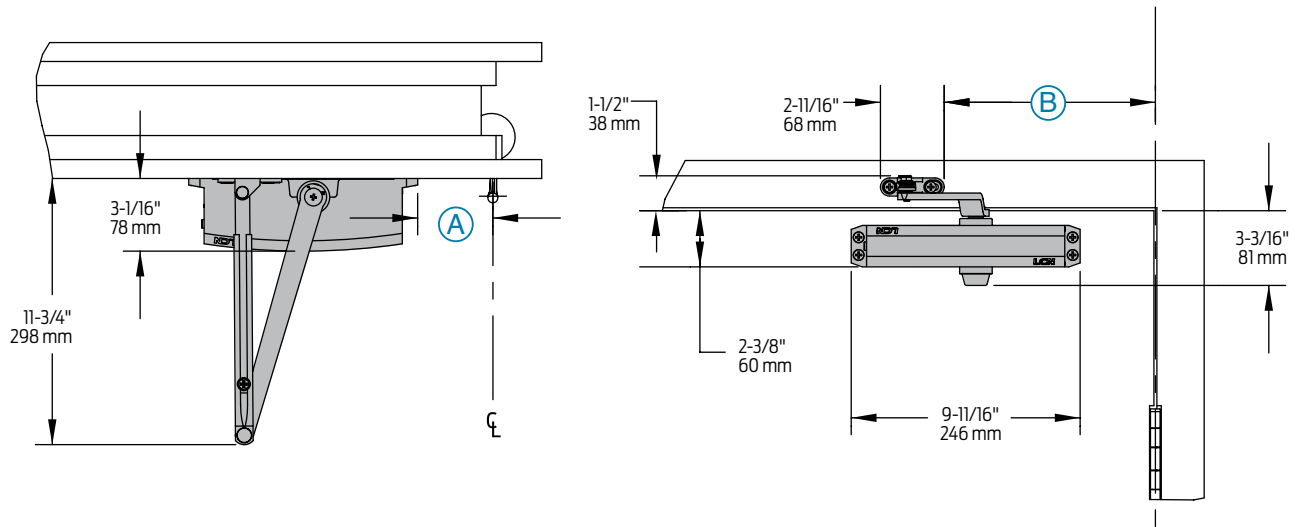
**Special Templates**

Customized installation templates or products may be available to solve unusual applications. Contact LCN Product Support for assistance.

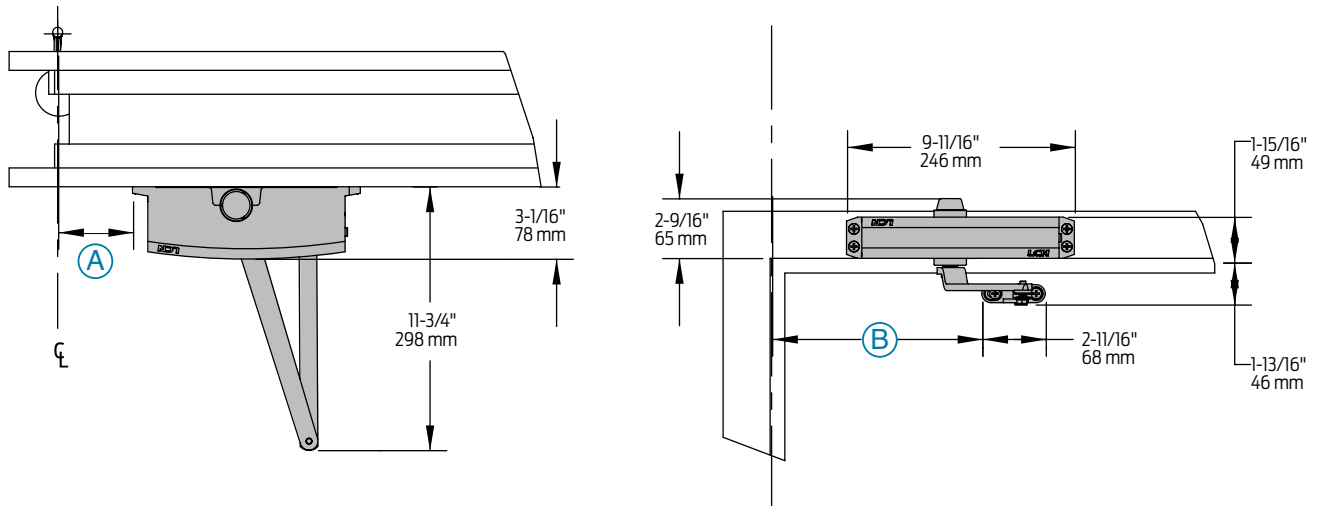


● AVAILABLE  
○ NOT AVAILABLE

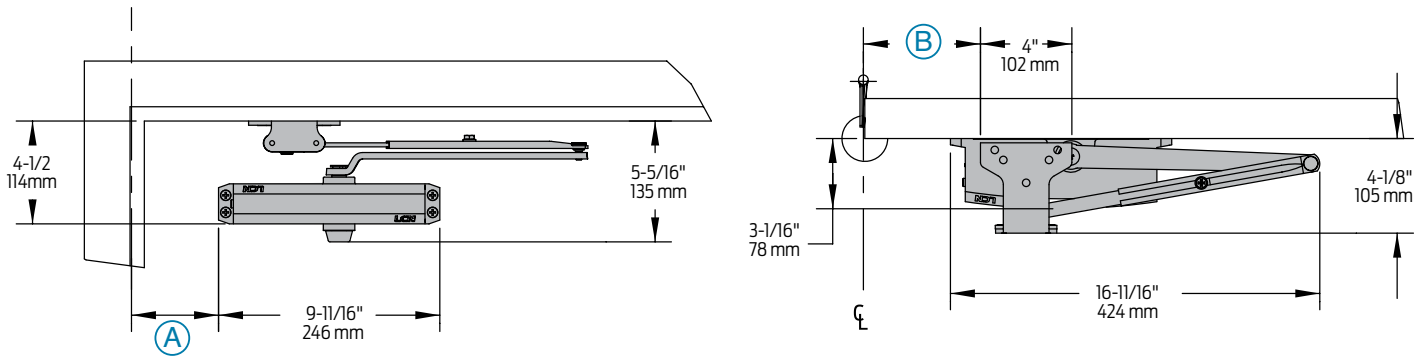
♿ Closer available with less than 5.0 lbs. opening force on 36" door.  
\* Maximum opening/hold-open point with standard template.



<b>Butt Hinges</b>	Should not exceed 5" (127 mm) in width
<b>Auxiliary Stop</b>	Recommended at hold-open point or where a door cannot swing 180°
<b>Reveal</b>	Should not exceed 3/4" (19 mm) for regular arm or 1/2" (13 mm) for hold-open arm
<b>Top Rail</b>	Less than 2-3/8" (60 mm) requires PLATE, 1250-18
<b>Clearance</b>	3-1/16" (78mm) behind door required for installation.
<b>Maximum opening</b>	100°:      A = 6-11/16" (170mm) B = 12-7/16" (316 mm)
	101° to 120°:   A = 5-11/16" (144mm) B = 11-7/16" (291 mm)
	or *121° to 180°: A = 3-1/16" (78 mm) B = 8-15/16" (227 mm)
	Hold-open points up to maximum opening with hold-open arm *Frame and trim permitting.



<b>Butt Hinges</b>	Should not exceed 5" (127 mm) in width		
<b>Auxiliary Stop</b>	Recommended at hold-open point or where a door cannot swing 180°		
<b>Reveal</b>	Arm Type	Maximum Reveal	Opening
	Regular Arm	0" to 5"	180°
	Long Arm	4" to 8"	165°
	Hold-Open Arm	0" to 2-3/4"	180°
	Long Hold-Open Arm	2" to 6-1/2"	180°
<b>Top Rail</b>	Requires 1-3/4" (44 mm) minimum. 2-1/2" (64 mm) minimum with closer on PLATE, 1250-18		
<b>Head Frame</b>	Less than 1-3/4" (44 mm) requires PLATE, 1250-18. For flush ceiling condition with 2" (51 mm) head frame, use PLATE, 1250-18. (Plate requires 1-3/8" (35 mm) minimum.)		
<b>Maximum opening</b>	100°:	A = 7-3/16" (183 mm) B = 12-15/16" (329 mm)	
	101° to 120°:	A = 5-11/16" (144 mm) B = 11-7/16" (291 mm)	
	or *121° to 180°:	A = 3-1/16" (78 mm) B = 8-15/16" (227 mm)	
	Hold-open points up to maximum opening with hold-open arm		
	*Frame and trim permitting.		



The 'A' dimension refers to the edge of the closer body to the center line of pivot or hinge.

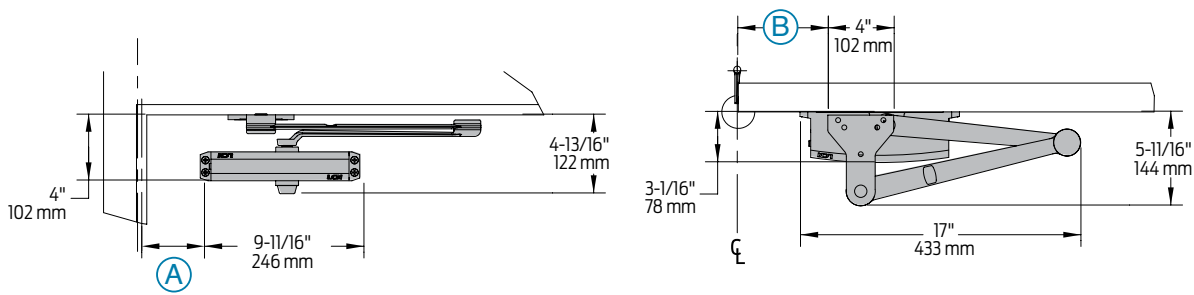
The 'B' dimension refers to the edge of the closer shoe bracket to the center line of pivot or hinge.

<b>Butt Hinges</b>	Should not exceed 5" (127 mm) in width
<b>Auxiliary Stop</b>	Recommended at hold-open point, where a door cannot swing 180°, or where CUSH-N-STOP arm is not used
<b>Top Rail</b>	Less than 4-1/2" (114 mm) measured from the stop requires PLATE, 1250-18PA
<b>Clearance</b>	1250-62PA shoe projects 4-1/8" (105 mm) from door face
<b>Stop Width</b>	Minimum 1" (25 mm)
<b>Blade Stop</b>	Clearance, requires 1/2" (13 mm) BLADE STOP SPACER, 1250-61
<b>Auxiliary Shoe</b>	1250-62A allows installation of regular arm with overhead holder/stop
<b>Maximum opening</b>	Regular or hold-open arm can be templated to 100°: A = 7-5/16" (186 mm) B = 8-5/8" (219 mm) or 101° to 130°: A = 5-13/16" (148 mm) B = 7-1/8" (181 mm) or *131° to 180°: A = 3-13/16" (97 mm) B = 5-1/8" (130 mm) Hold-open points up to maximum opening with hold-open arm. *Frame and trim permitting.

Note:

• 1250 Parallel arm closer includes 1250-201 FIFTH HOLE SPACER to support PA SHOE

## EDA mount

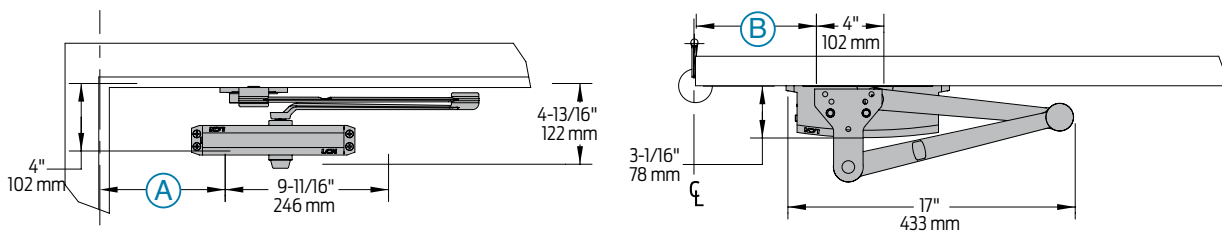


1250  
Series

Mounting detail

EDA and CUSH-N-STC  
mounting

## CUSH/SCUSH mount



The 'A' dimension refers to the edge of the closer body to the center line of pivot or hinge.  
The 'B' dimension refers to the edge of the closer shoe bracket to the center line of pivot or hinge.

<b>Clearance</b>	1250-62EDA or CUSH shoe projects 5-11/16" (144mm) from door face	
<b>Head Frame</b>	Flush or rabbeted requires CUSH FLUSH PANEL ADAPTER, 1250-419	
<b>EDA or CUSH ARM</b>	Requires soffit SHOE SUPPORT, 1250-30 for fifth screw anchorage where reveal is less than 2-3/4" (70mm)	
<b>Spring CUSH</b>	Dead stop points are approximately 5° more than templated stop point.	
<b>Maximum opening</b>	EDA template allows 180°. Hold-open point up to maximum opening	CUSH arms can be templated for maximum opening/hold-open point at 85°
	100°: A = 7-5/16" (186mm) B = 9" (229 mm)	85°: A = 8-13/16" (224 mm) B = 10-1/2" (267 mm)
	or 130°: A = 5-13/16" (148 mm) B = 7-1/2" (191 mm)	90°: A = 8-1/16" (205 mm) B = 9-3/4" (248 mm)
	or 180°: A = 3-13/16" (97 mm) B = 5-1/2" (140 mm)	100°: A = 6-11/16" (170 mm) B = 8-3/8" (213 mm)
		105°: A = 6-1/16" (154 mm) B = 7-3/4" (197 mm)
		110°: A = 5-7/16" (138 mm) B = 7-1/8" (181 mm)

**Note:**

• 1250 closers ordered with EDA, CUSH or SPRING CUSH arms include 1250-201 FIFTH HOLE SPACER to support the shoe

**Cylinders**



**1250-3071**  
Cast Aluminum Cylinder Assembly

- Non-handed
- Standard

**Covers**



**1250-72**  
Slim Line Plastic Cover

- Non-handed
- Optional

**Installation Accessories**



**1250-18**  
Plate

- Required for hinge side mount where top rail is less than 2-3/8" (60mm)
- Required for top jamb mounting where head frame is less than 1-3/4" (44 mm) or flush ceiling condition exists
- Requires minimum 1-1/2" (38 mm) minimum top rail or 1-1/4" (32 mm) head frame



**1250-18PA**  
Plate

- Required for parallel arm mounting where top rail is less than 4-1/2" (114mm), measured from the stop
- Requires 1-3/4" (44 mm) minimum top rail



**1250-30**  
CUSH Shoe Support

- Provide anchorage for fifth screw used with CUSH arms where reveal is less than 2-3/4" (70mm)



**1250-61**  
Blade Stop Spacer

- Lowers parallel arm shoe to clear 1/2" (13 mm) blade stop



**1250-62A**  
Auxiliary Shoe

- Requires a top rail of 7-1/8" (181mm). Optional shoe replaces -62PA for parallel arm mounting of regular arm with overhead holder/stop



**1250-419**  
PA Flush Panel Adapter

- Provides horizontal mounting surface for PA, EDA or CUSH shoe on single rabbeted or flush frame



**1250-62PA**  
PA Shoe

- Required for parallel arm mounting

## Arms



**1250-3077**  
Regular Arm w/PA

- Non-handed
- Mounts hinge side or top jamb
- Parallel Arm includes PA SHOE, 1250-62PA required for parallel arm mounting



**1250-3077L**  
Long Arm

- Non-handed
- Includes LONG ROD AND SHOE, 1250-79LR for top jamb mount with deep reveals
- Optional



**1250-3077EDA**  
Extra Duty Arm

- Non-handed
- Features solid forged steel main and forearm for potentially abusive installations
- Optional



**1250-3049EDA**  
Hold-Open Extra Duty Arm

- Handed
- Provides hold-open function adjustable at shoe
- Optional



**1250-3049**  
Hold-Open Arm w/ PA

- Non-handed
- Mounts hinge side, top jamb or parallel arm (62PA required)
- Hold-open adjustable at shoe
- Optional



**1250-3049L**  
Long Hold-Open Arm

- Non-handed
- Includes LONG HEAD AND TUBE, 1250-3048L for top jamb mount with deep reveals
- Optional



**1250-3077CNS**  
Cush-n-Stop® Arm

- Non-handed
- Features solid forged steel main arm and forearm with stop in soffit shoe
- Optional



**1250-3049CNS**  
HCUSH Arm

- Non-handed
- Provides hold-open function with templated stop/hold-open points.
- Handle controls hold-open function
- Optional



**1250-3077SCNS**  
Spring CUSH Arm

- Non-handed
- For abusive applications features solid forged steel main arm and forearm with spring loaded stop in the soffit shoe
- Optional



**1250-3049SCNS**  
Spring HCUSH Arm

- Non-handed
- For abusive applications features solid forged steel main arm and forearm with spring loaded stop in the soffit shoe
- Handle controls hold-open function
- Optional

**How-to-order 1250 Series closers**

**Select finish**

- Standard Powder Coat \_\_\_\_\_  
Aluminum, Dark Bronze, Statuary,  
Light Bronze, Black, Brass

**Closer will be shipped with:**

- Standard cylinder
- Tri pack arm (Rw/PA)
- Universal screw pack  
unless options listed below are selected.

**Closer options**

**Cover**

- Slim line cover (SLIM)

**Finish**

- Custom Powder Coat (RAL)
- SRI primer

**Arm**

- Regular w/62PA (Rw/PA)
- Long (LONG)
- Regular w/62A (R/62A)
- Hold-Open w/62PA (Hw/PA)
- Long Hold-Open (HLONG)
- Extra Duty (EDA)
- Hold-Open Extra Duty (HEDA) - specify handing
- Cush-N-Stop (CUSH)
- HCush (HCUSH)
- Spring CUSH (SCUSH)
- Spring HCUSH (SHCUSH)

**Optional screw packs**

- TORX Machine Screw (TORX)
- TB\* & TORX Machine Screw (TBTORX)
- \* Specify door thickness if other than 1-3/4"

**Installation accessories**

- Plate, 1250-18
- Plate, 1250-18PA
- CUSH Shoe Support, 1250-30
- Blade Stop Spacer, 1250-61
- Auxiliary Shoe, 1250-62A
- PA Flush Panel Adapter, 1250-419

**Special template**

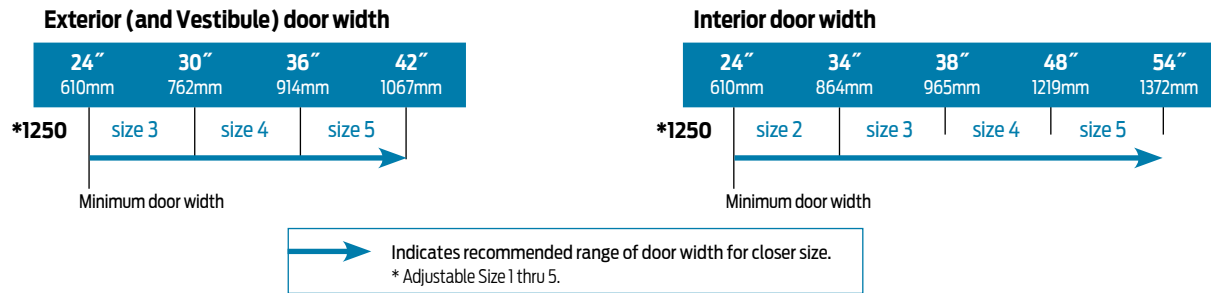
- ST- \_\_\_\_\_

**Meets Buy American Act**

- BAA

**Table of sizes**

- Select closer based on width of door.
- The spring power of a 1250 cylinder is field adjustable from size 1 through size 5 and is shipped adjusted to size 3.



**Reduced opening force 1250 Series closers**

**CAUTION !** Any manual door closer, including those certified by BHMA to conform to ANSI Standard A156.4, that is selected, installed and adjusted based on ADA or other reduced opening force requirements may not provide sufficient power to reliably close and latch a door.

Refer to POWER OPERATORS section for information on systems that meet reduced opening force requirements without affecting closing power.

\* Maximum opening force.

	<b>DOOR WIDTH</b>	<b>36"</b>	<b>42"</b>	<b>48"</b>
	8.5* lbs.	1250	1250	1250
	5.0* lbs.	1250	1250	1250