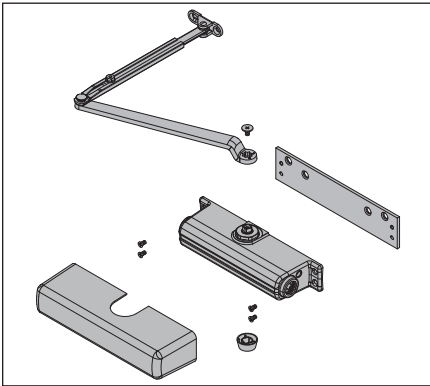
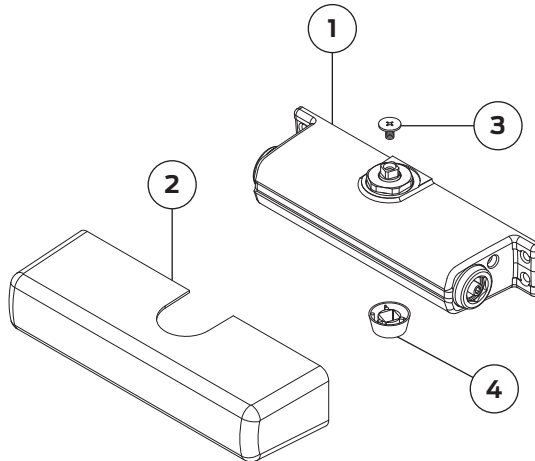


1260 Series



Cylinder & Cover Parts

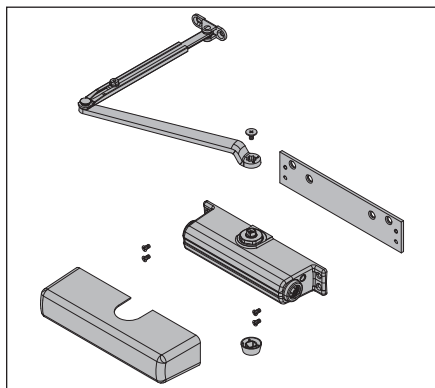


No.	Description	Part number
1	Std Cylinder Assembly (F)	1261-3071
2	Standard Cover (Optional) (F)	1260-72
3	Arm Screw (F)	1260-159
4	Shaft Cover (F)	1260-146
5	Screw Pack (Not Shown) (F)	1260-SRT

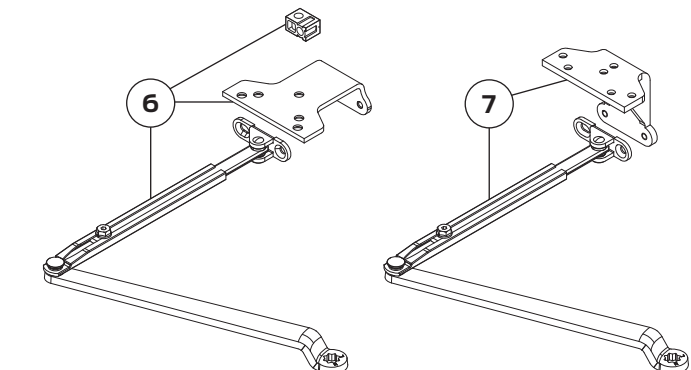
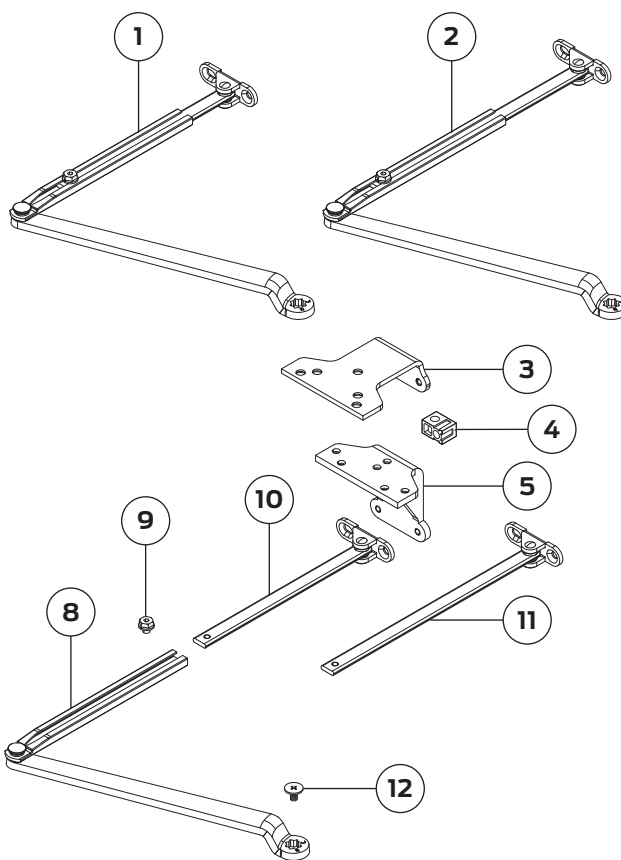
No.	Description	Part number
6	Screw Pack (Not Shown)(F)	1260-TBSRT
7	Screw Pack (Not Shown)(F)	1260-WMS
8	Screw Pack (Not Shown)(F)	1260-TBWMS
9	Screw Pack (Not Shown)(F)	1260-TORX
10	Screw Pack (Not Shown)(F)	1260-TBTRX

Please specify finish (F), size (S), hand (H), & voltage (V) where indicated. See the latest edition of the LCN catalog for part descriptions and specifications on many of the items shown above. List prices for items shown above can be located in the current LCN price book.

1260 Series



Regular Arm Assemblies & Parts

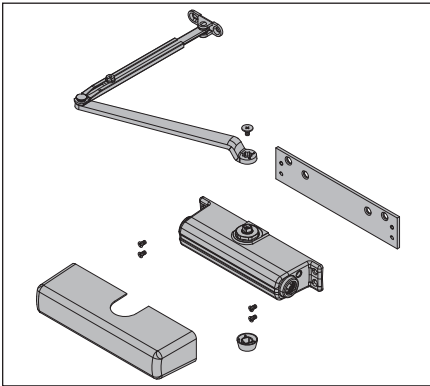


No.	Description	Part number
1	Regular Arm (F)	1260-3077
2	Long Arm (F)	1260-3077L
3	PA Shoe (F)	1260-62PA
4	Fifth Hole Spacer	1260-201
5	Auxiliary Shoe (F)	1260-62A
6	Regular Arm w/ PA (F)	1260-3077/PA

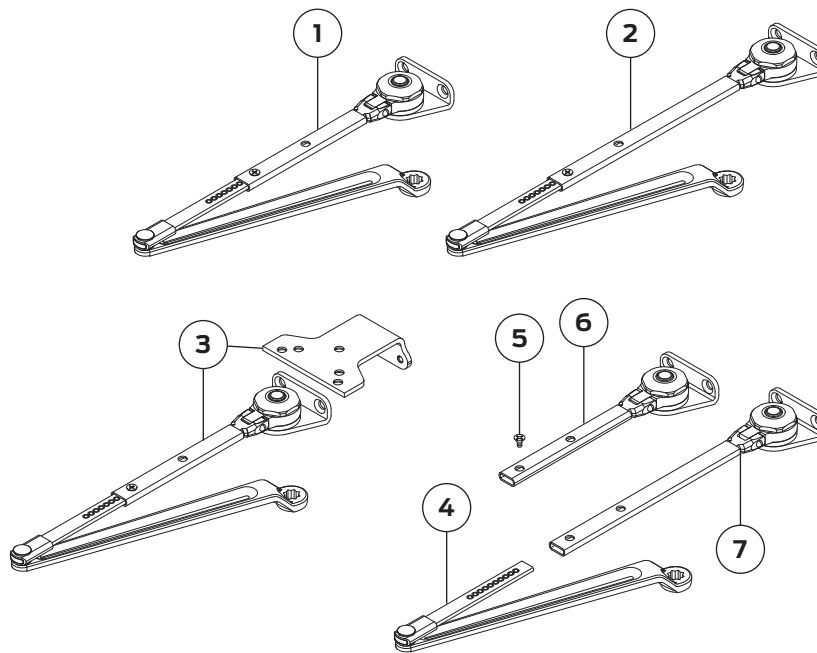
No.	Description	Part number
7	Regular Arm w/ 62A (F)	1260-3077/62A
8	Main Arm & Forearm (F)	1260-77
9	Arm Screw (F)	1260-83
10	Rod & Shoe (F)	1260-79
11	Long Rod & Shoe (F)	1260-79LR
12	Arm Screw (F)	1260-159

Please specify finish (F), size (S), hand (H), & voltage (V) where indicated. See the latest edition of the LCN catalog for part descriptions and specifications on many of the items shown above. List prices for items shown above can be located in the current LCN price book.

1260 Series



Hold Open Arm Assemblies & Parts

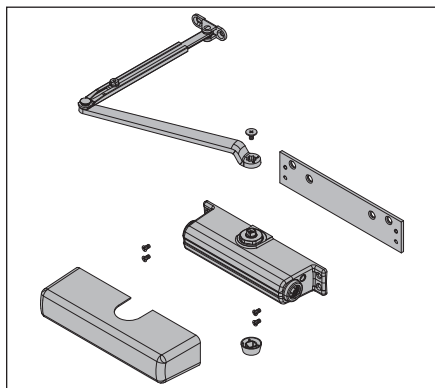


No.	Description	Part number
1	Hold Open Arm (F)	1260-3049
2	Hold Open Long Arm (F)	1260-3049L
3	Hold Open Arm w/ 62PA (F)	1260-3049/PA
4	Hold Open Main Arm (F)	1260-49

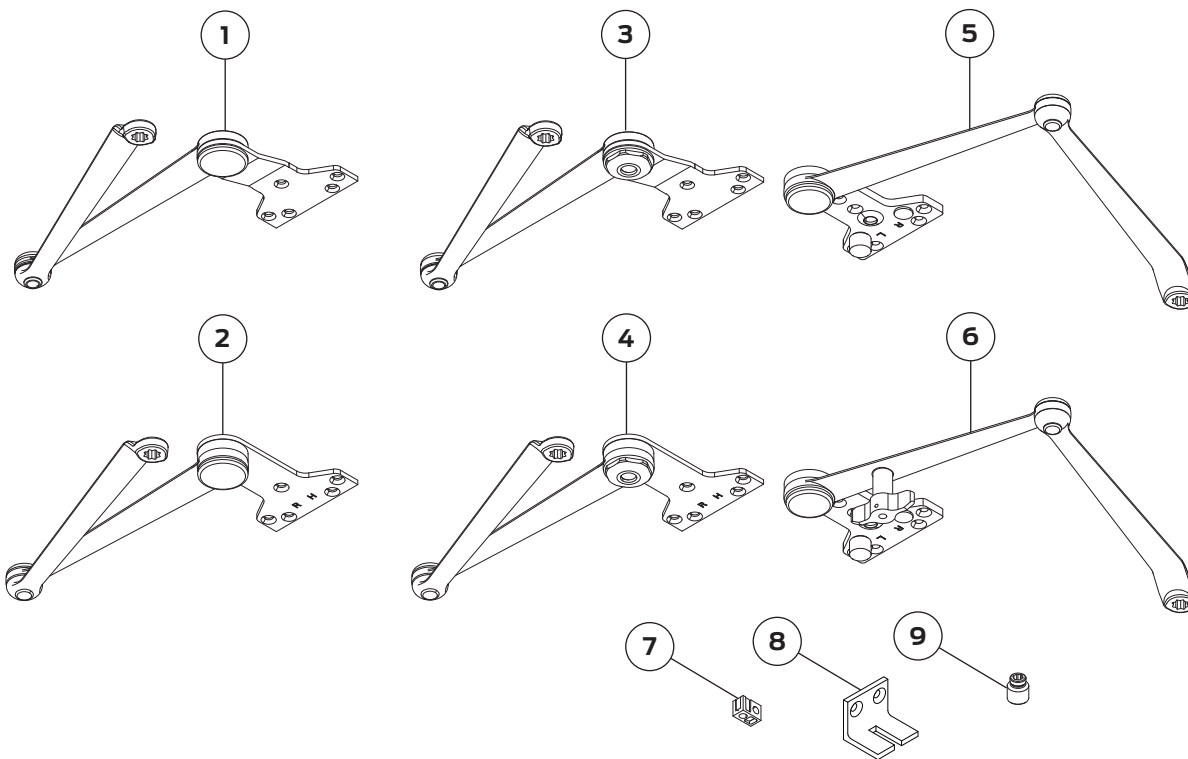
No.	Description	Part number
5	H arm Screw (F)	1260-83H
6	Head & Tube Assembly (F)	1260-3048
7	Head & Long Tube Assembly (F)	1260-3048L

Please specify finish (F), size (S), hand (H), & voltage (V) where indicated. See the latest edition of the LCN catalog for part descriptions and specifications on many of the items shown above. List prices for items shown above can be located in the current LCN price book.

1260 Series



EDA & CUSH Arm Assemblies

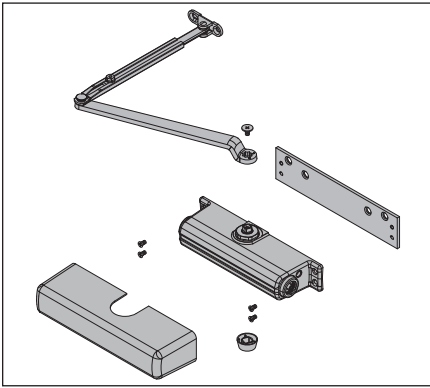


No.	Description	Part number
1	EDA Arm (F)	1260-3077EDA
2	EDA Arm w/ 62G (F)	1260-3077EDA/G
3	HEDA Arm (F)(H)	1260-3049EDA
4	HEDA Arm w/ 62G (F)(H)	1260-3049EDA/G
5	CUSH Arm (F)	1260-3077CUSH

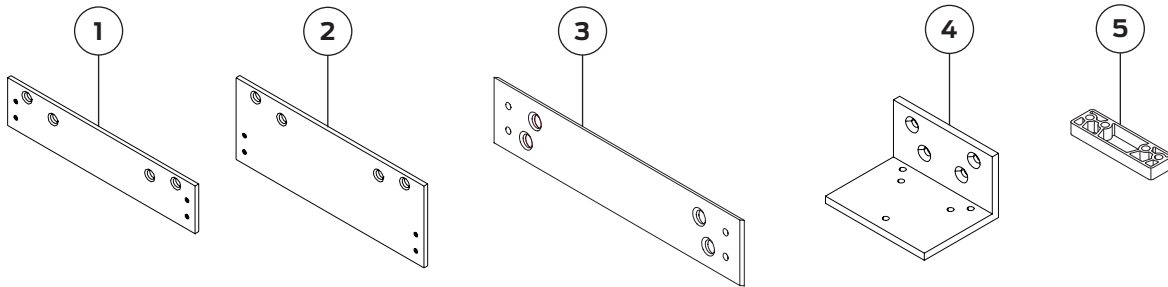
No.	Description	Part number
6	HCUSH Arm (F)	1260-3049CUSH
7	Fifth Hole Spacer	1260-201
8	CUSH Shoe Support (F)	1260-30
9	Stop (F)	1260-384

Please specify finish (F), size (S), hand (H), & voltage (V) where indicated. See the latest edition of the LCN catalog for part descriptions and specifications on many of the items shown above. List prices for items shown above can be located in the current LCN price book.

1260 Series



Mounting Plates



No.	Description	Part number
1	Mounting Plate (F)	1260-18
2	Mounting Plate (F)	1260-18PA
3	Mounting Plate (F)	1260-18QF

No.	Description	Part number
4	Panel Adapter (F)	1260-419
5	Blade Stop Spacer (F)	1260-61

Please specify finish (F), size (S), hand (H), & voltage (V) where indicated. See the latest edition of the LCN catalog for part descriptions and specifications on many of the items shown above. List prices for items shown above can be located in the current LCN price book.