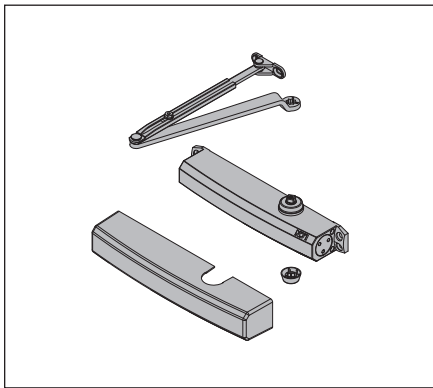
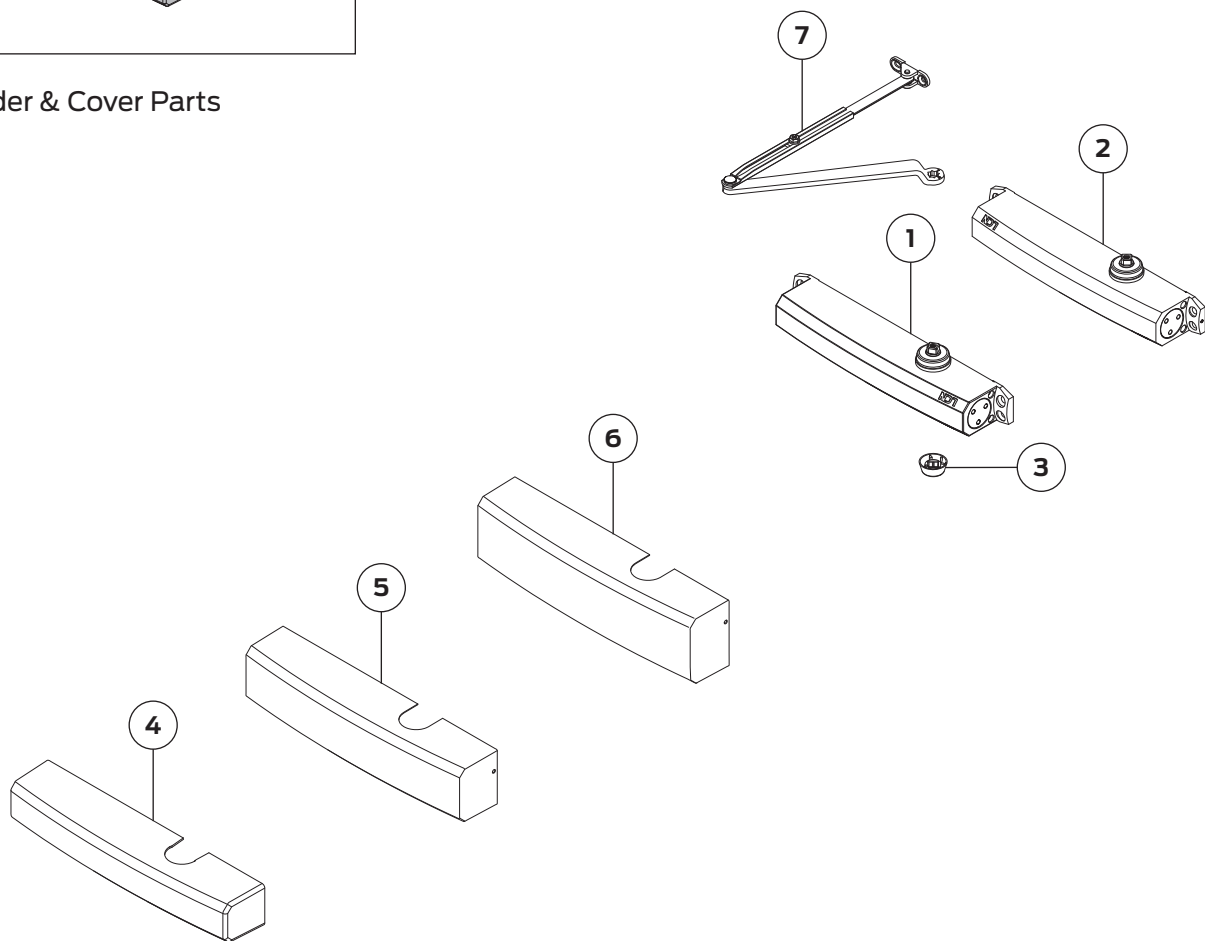


1450 Series



Cylinder & Cover Parts

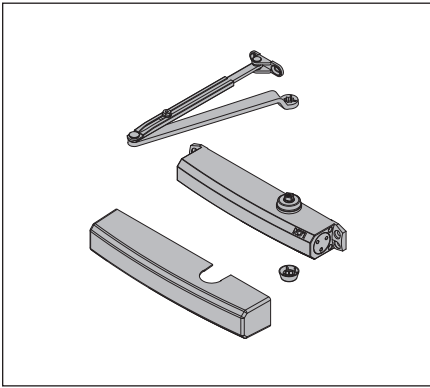


No.	Description	Part number
1	Cylinder Assembly (F)	1450-3071
2	Delay Action Cylinder (F)	1450-3071DEL
3	Pinion Cap (F)	1450-146
4	Standard Slim Cover (F)	1450-72
5	Full Plastic Cover (F)	1450-72FC

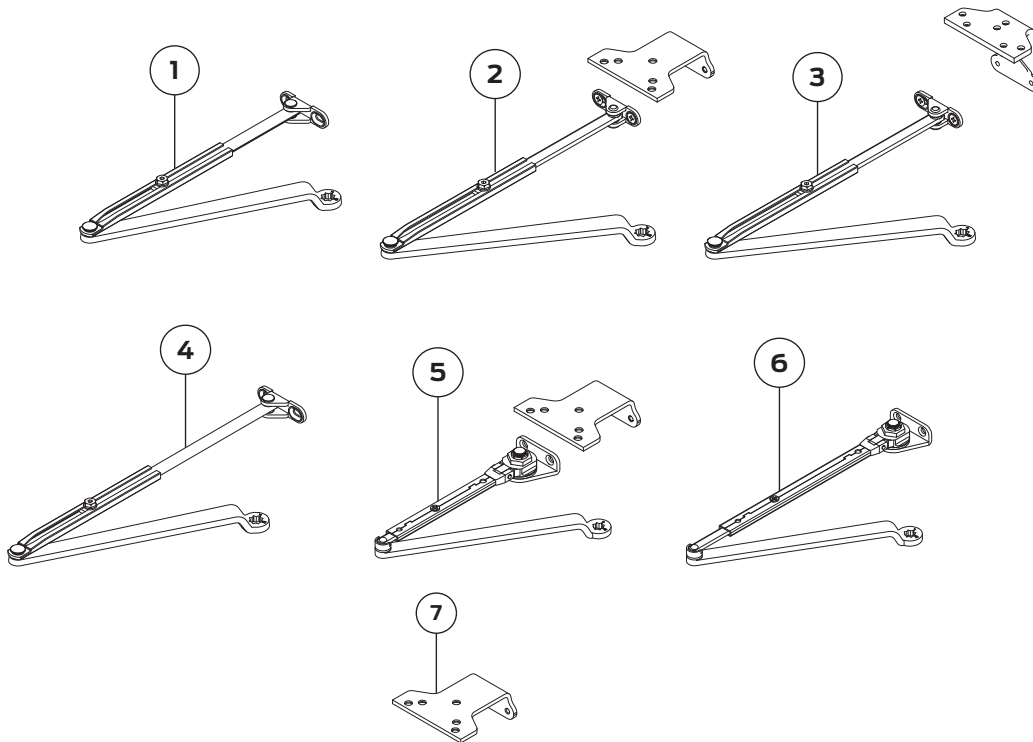
No.	Description	Part number
6	Full Metal Cover-RH & LH (F)(H)	1450-72MC
7	Reg Arm (F)	1450-3077
8	Screw Pack (Not Shown)(F)	1450-UNIV
9	Screw Pack (Not Shown)(F)	1450-TORX

Please specify finish (F), size (S), hand (H), & voltage (V) where indicated. See the latest edition of the LCN catalog for part descriptions and specifications on many of the items shown above. List prices for items shown above can be located in the current LCN price book.

1450 Series



Arm Assemblies & Parts

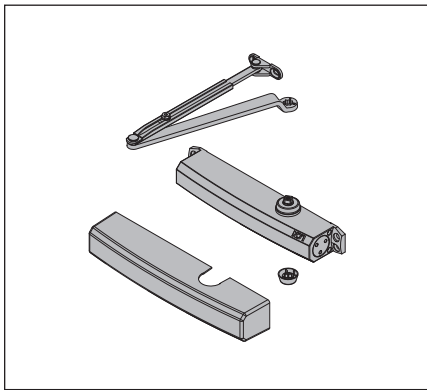


No.	Description	Part number
1	Regular Arm (F)	1450-3077
2	Reg Arm w/ 62PA (F)	1450-3077/PA
3	Reg Arm w/ 62A Shoe (F)	1450-3077/62A
4	Long Arm (F)	1450-3077L

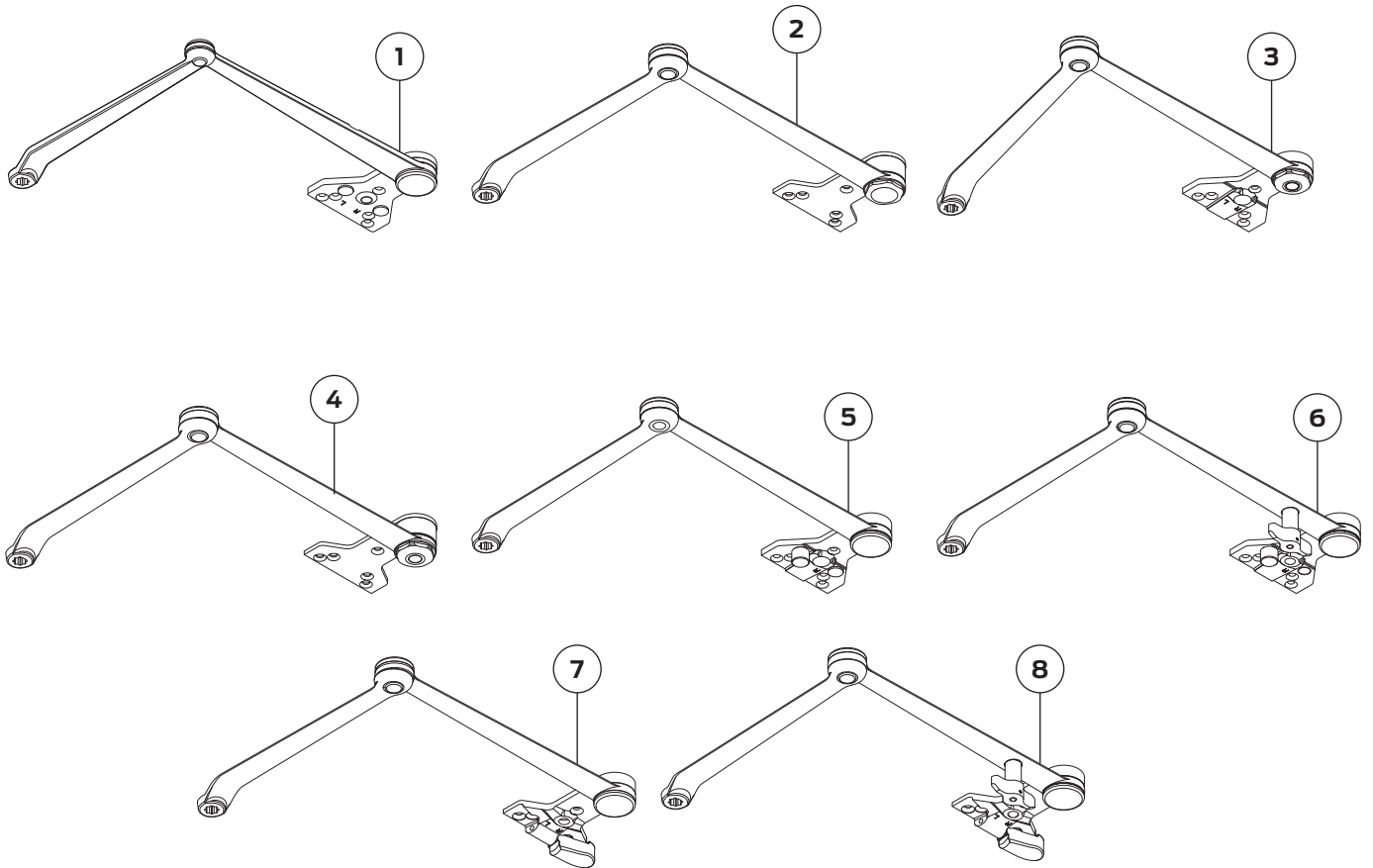
No.	Description	Part number
5	Hold Open Arm w/ 62PA (F)	1450-3049/PA
6	Hold Open Long Arm (F)	1450-3049L
7	PA Shoe (F)	1450-62PA

Please specify finish (F), size (S), hand (H), & voltage (V) where indicated. See the latest edition of the LCN catalog for part descriptions and specifications on many of the items shown above. List prices for items shown above can be located in the current LCN price book.

1450 Series



Arm Assemblies & Parts

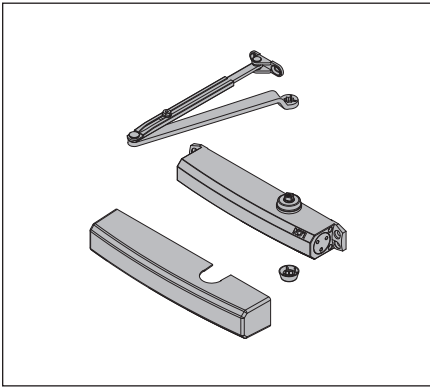


No.	Description	Part number
1	EDA Arm (F)	1450-3077EDA
2	EDA w/ 62G (F)	1450-3077EDA/G
3	Hold Open EDA (F)(H)	1450-3049EDA
4	Hold Open EDA w/ 62G (F)(H)	1450-3049EDA/G

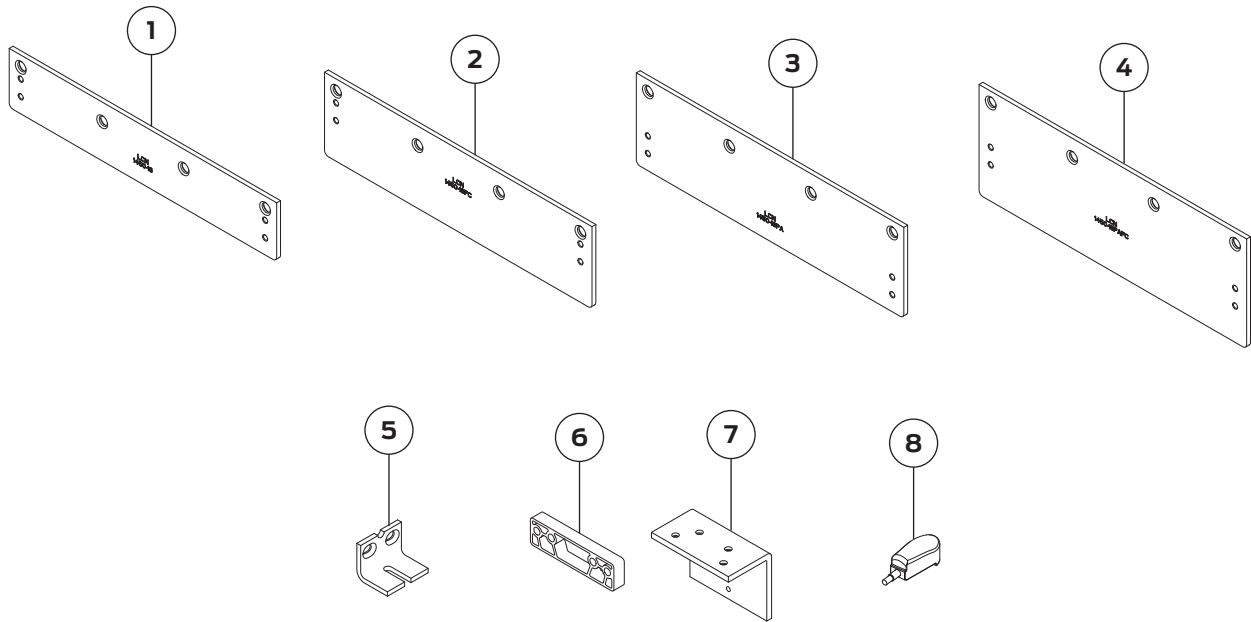
No.	Description	Part number
5	CUSH Arm (F)	1450-3077CNS
6	Hold Open CUSH (F)	1450-3049CNS
7	Spring CUSH Arm (F)	1450-3077SCNS
8	Hold Open Spring CUSH Arm (F)	1450-3049SCNS

Please specify finish (F), size (S), hand (H), & voltage (V) where indicated. See the latest edition of the LCN catalog for part descriptions and specifications on many of the items shown above. List prices for items shown above can be located in the current LCN price book.

1450 Series



Mounting Plates & Miscellaneous Accessories



No.	Description	Part number
1	18 Mounting Plate (F)	1450-18
2	18 Mounting Plate for Full Cover (F)	1450-18FC
3	18PA Mounting Plate (F)	1450-18PA
4	18PA Mounting Plate for Full Cover (F)	1450-18PAFC

No.	Description	Part number
5	CUSH Shoe Support (F)	1450-30
6	Blade Stop Spacer (F)	1450-61
7	Flush Panel Adapter (F)	1450-419
8	Spring CUSH Block (F)	1450-3080

Please specify finish (F), size (S), hand (H), & voltage (V) where indicated. See the latest edition of the LCN catalog for part descriptions and specifications on many of the items shown above. List prices for items shown above can be located in the current LCN price book.