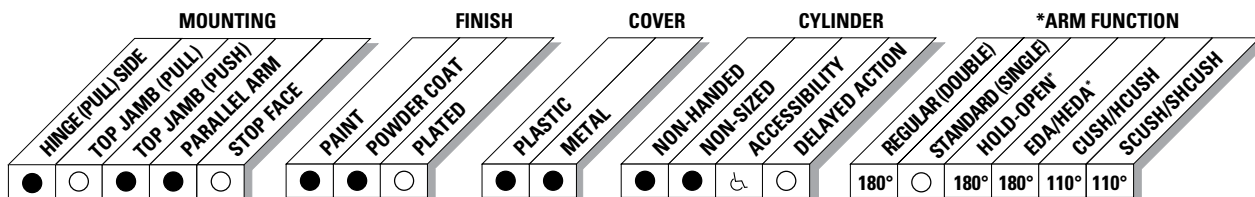


The 1450 Series cast aluminum closer was specially designed to deliver consistent, dependable, long-term performance in frequently-used, low-abusive traffic areas. The patented design, featuring the industry's most common hole pattern, is an excellent choice for a range of applications - from aftermarket replacement to aluminum store fronts, to new construction projects - anywhere quality, reliability and value are important.

<b>Certifications</b>	Grade 1 - ANSI A156.4, UL 10C, ADA, 100 Hour Salt Spray, Meets BAA - Buy American Act	<b>Cover</b>	<ul style="list-style-type: none"> <li>■ Slim Line Plastic, Standard</li> <li>■ Full Plastic and Metal, Optional</li> </ul>
<b>Body Construction</b>	<ul style="list-style-type: none"> <li>■ Cast Aluminum Body</li> <li>■ Full Complement Bearing</li> <li>■ 1-1/4" Diameter Piston</li> <li>■ 5/8" Diameter Single Heat Treated Pinion Journal</li> </ul>	<b>Fasteners</b>	Universal Screw Pack (UNIV)
<b>Fluid</b>	All Weather Fluid	<b>Mounting</b>	Hinge (Pull Side), Top Jamb (Push Side), Parallel Arm (Push Side)
<b>Handing</b>	Non-Handed	<b>Arms</b>	Standard regular pull side, and top jamb
<b>Templating</b>	Peel-n-Stick templates - 3/4" x 12" Mounting Hole Pattern	<b>Finishes/Colors/ Powder Coat</b>	<ul style="list-style-type: none"> <li>■ Aluminum (689)</li> <li>■ Statuary Bronze (690)</li> <li>■ Light Bronze (691)</li> <li>■ Black (693)</li> <li>■ Dark Bronze (695)</li> <li>■ Brass (696)</li> <li>■ Custom colors optional</li> <li>■ Optional SRI primer - powder coat only</li> </ul>
<b>Size</b>	Adjustable Spring Size 1-6		
<b>Warranty</b>	25 years		

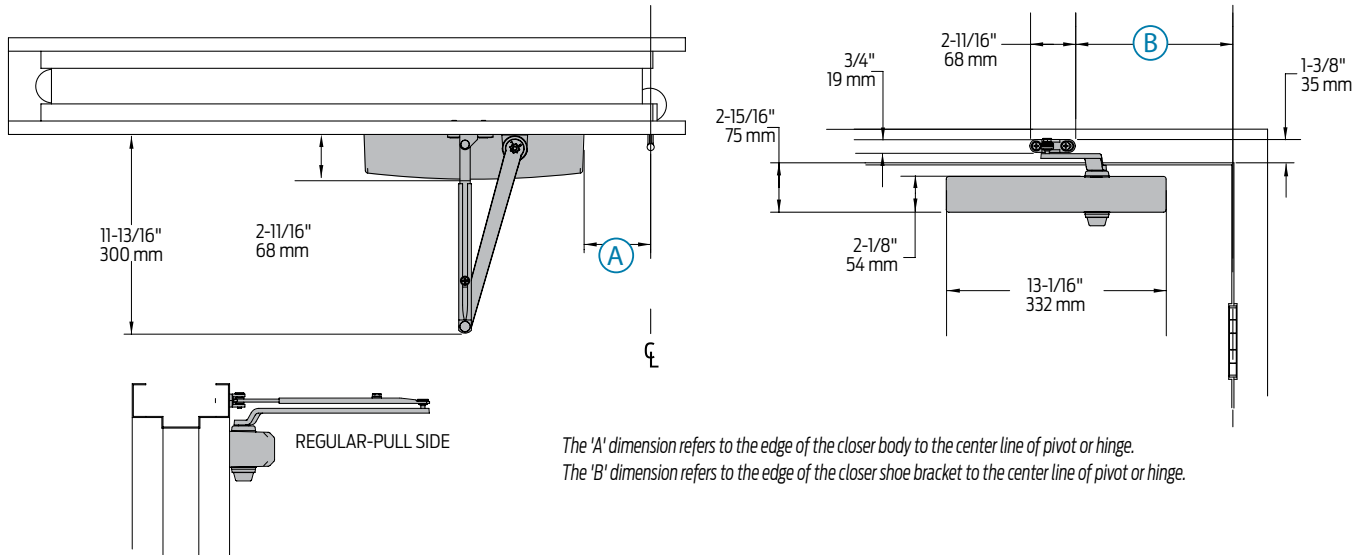
**Special Templates**

Customized installation templates or products may be available to solve unusual applications. Contact LCN Product Support for assistance.



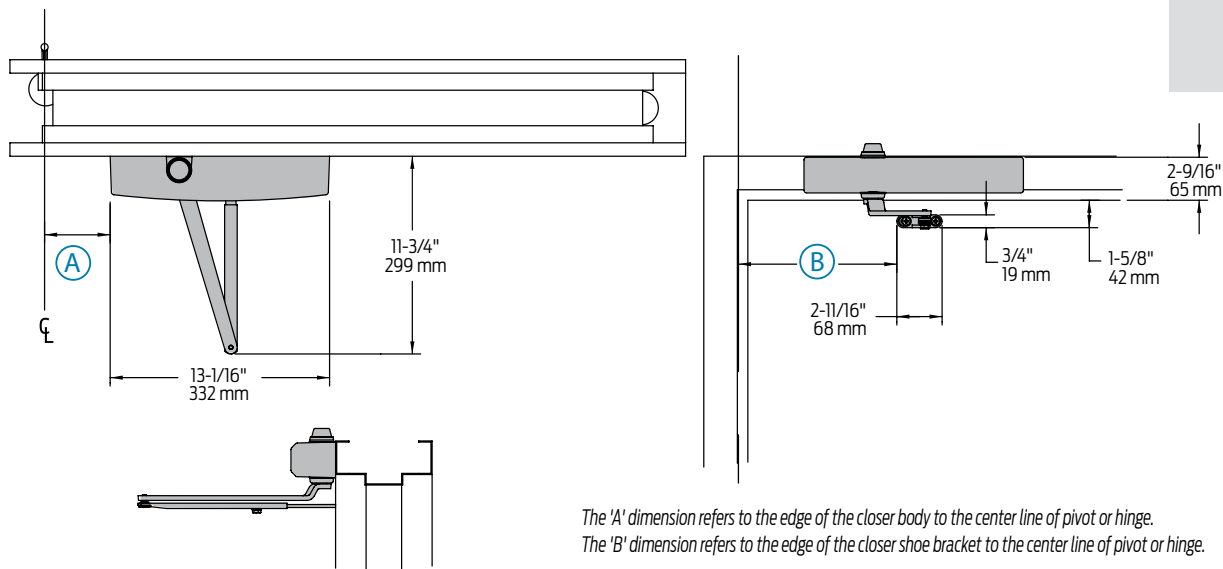
● AVAILABLE  
○ NOT AVAILABLE

♿ Closer available with less than 5.0 lbs. opening force on 36" door.  
\* Maximum opening/hold-open point with standard template.  
D = For designer series only.

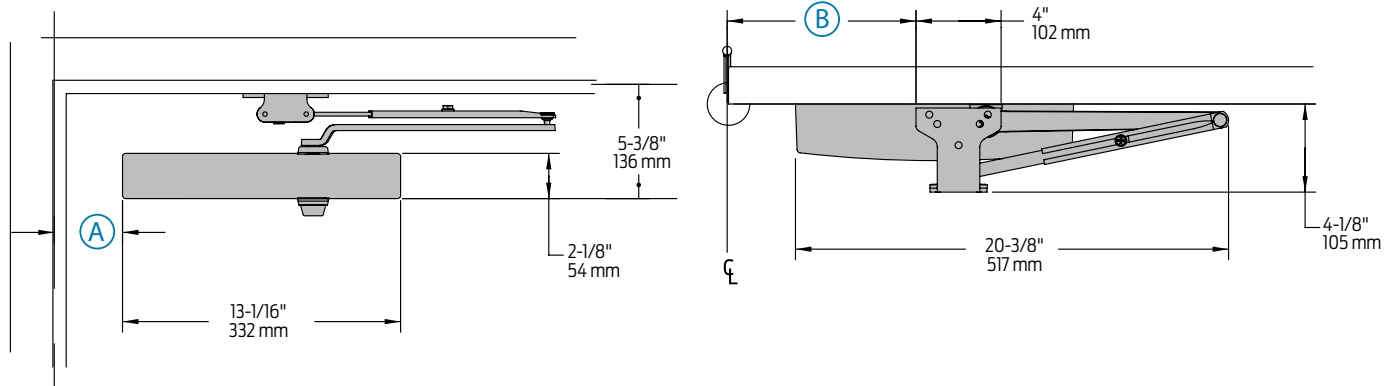


The 'A' dimension refers to the edge of the closer body to the center line of pivot or hinge.  
The 'B' dimension refers to the edge of the closer shoe bracket to the center line of pivot or hinge.

<b>Butt Hinges</b>	Should not exceed 5" (127 mm) in width
<b>Auxiliary Stop</b>	Recommended at hold-open point or where a door cannot swing 180°
<b>Reveal</b>	Should not exceed 3/4" (19 mm) for regular arm or 1/2" (13 mm) for hold-open arm
<b>Top Rail</b>	<ul style="list-style-type: none"> <li>Less than 2-1/2" (64 mm) requires PLATE, 1450-18</li> <li>With Full cover, use PLATE, 1450-18FC. Plate requires 1-1/2" (38 mm) minimum</li> </ul>
<b>Clearance</b>	2-3/8" (60 mm) behind door required for installation
<b>Maximum opening</b>	<p>100°: A = 7" (102 mm) B = 12-3/8" (314 mm)</p> <p>101° to 130°: A = 5-1/2" (140 mm) B = 10-7/8" (276 mm)</p> <p>131° to 180°: A = 4" (102 mm) B = 9-3/8" (238 mm)</p>
	Hold-open points up to maximum opening with hold-open arm *Frame and trim permitting.



<b>Butt Hinges</b>	Should not exceed 5" (127 mm) in width		
<b>Auxiliary Stop</b>	Recommended at hold-open point or where a door cannot swing 180°		
<b>Reveal</b>	Arm Type	Reveal	Max Opening
	Regular Arm	5"	Up to 170°
	Regular Arm	3-3/4"	Up to 180°
	Long Arm	8"	Up to 155°
	Hold-Open Arm	2-3/4"	Up to 180°
	Long Hold-Open Arm	4-7/8"	Up to 140°
<b>Top Rail</b>	Requires 2-1/8" (54 mm) minimum. 3-3/8" (86 mm) minimum with closer on PLATE, 1450-18.		
<b>Head Frame</b>	Less than 1-3/4" (44 mm) requires PLATE, 1450-18. For flush ceiling condition with 1-3/4" (45 mm) head frame, use PLATE, 1450-18		
<b>Maximum opening</b>	100°:	A=7" (102 mm) B = 12-3/8" (314 mm)	
	101° to 130°:	A= 5-1/2" (140 mm) B = 10-7/8" (276 mm)	
	131° to 180°:	A= 4" (102 mm) B = 9-3/8" (238 mm)	
	Hold-open points up to maximum opening with hold-open arm. *Frame and trim permitting.		

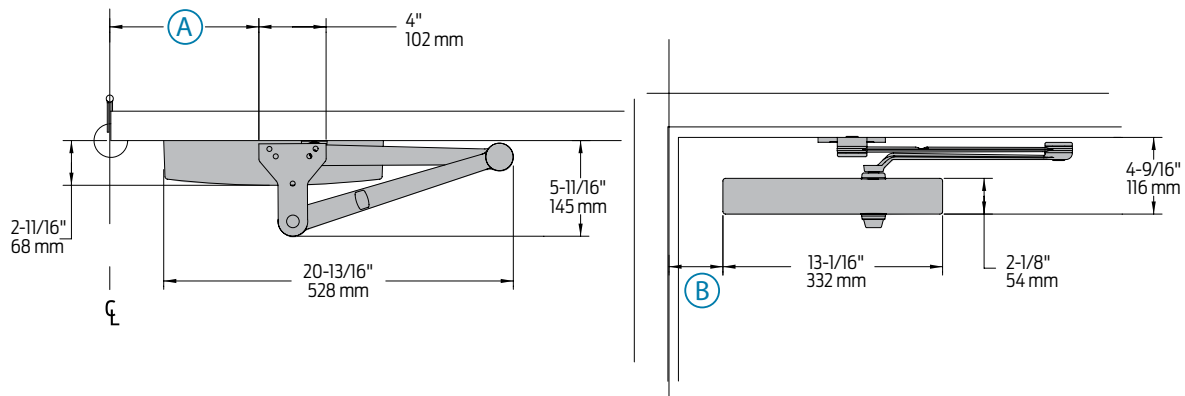


<b>Butt Hinges</b>	Should not exceed 5" (127 mm) in width		
<b>Auxiliary Stop</b>	Recommended at hold-open point, where a door cannot swing 180°, or where CUSH-N-STOP arm is not used		
<b>Top Rail</b>	<ul style="list-style-type: none"> <li>Less than 5-1/4" (133 mm) measured from the soffit requires</li> <li>Plate requires 1-1/4" (32 mm) minimum.</li> </ul>		
	Cover	Minimum Top Rail (measured from soffit)	Plate Required
	Plastic	3-1/2" (89 mm)	1450-18
		2-1/4" (57 mm)	1450-18PA
	Metal	3-1/2" (89 mm)	1450-18FC
		2-1/4" (57 mm)	1450-18PAFC
<b>Clearance</b>	1450-62PA shoe projects 4-1/8" (105 mm) from door face		
<b>Head Frame</b>	Flush or single rabbeted requires PA SHOE ADAPTER, 1450-418		
<b>Stop Width</b>	Minimum 1" (25 mm)		
<b>Blade Stop</b>	Clearance, requires 1/2" (13 mm) BLADE STOP SPACER, 1450-61		
<b>Auxiliary Shoe</b>	1450-62A allows installation of regular arm with overhead holder/stop		
<b>Maximum opening</b>	Regular or hold-open arm can be templated to		
	120°:	A = 3-3/16" (81 mm) B = 8-7/8" (225 mm)	
	121° to 180°:	A = 11/16" (17 mm) B = 6-3/8" (162 mm)	
	Hold-open points up to maximum opening with hold-open arm.		

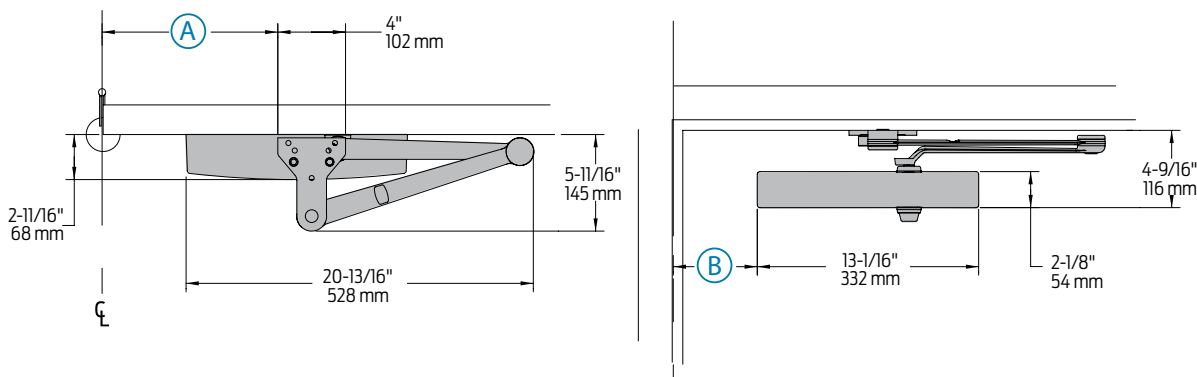
Notes:

- PA shoe is included with Rw/PA Arm
- 1450 closer includes 1450-201 FIFTH HOLE SPACER to support PA SHOE

EDA/HEDA mount



CUSH/HCUSH/SCUSH /SHCUSH mount



The 'A' dimension refers to the edge of the closer body to the center line of pivot or hinge.  
 The 'B' dimension refers to the edge of the closer shoe bracket to the center line of pivot or hinge.

<b>Clearance</b>	1450-62EDA or CUSH shoe projects 5-11/16" (144mm) from door face	
<b>Head Frame</b>	Flush or rabbeted requires CUSH FLUSH PANEL ADAPTER, 1450-419	
<b>EDA or CUSH ARM</b>	Requires soffit SHOE SUPPORT, 1450-30 for fifth screw anchorage where reveal is less than 3-1/16" (78 mm)	
<b>Spring CUSH</b>	Dead stop points are approximately 5° more than templated stop points	
<b>Maximum opening</b>	EDA template allows 110°. Hold-open point up to maximum opening	CUSH arms can be templated for maximum opening/ hold-open point at 85°
	120°: A = 8-7/8" (225 mm) B = 3-3/16" (81 mm)	85°: A = 10-3/8" (279 mm) B = 4-15/16" (140 mm)
	over 120°: A = 6-3/8" (162 mm) B = 11/16" (17 mm)	90°: A = 9-5/8" (244 mm) B = 4-3/16" (106 mm)
		95°: A = 8-7/8" (225 mm) B = 3-7/16" (87 mm)
		100°: A = 8-1/4" (210 mm) B = 2-13/16" (71 mm)
		105°: A = 7-5/8" (194 mm) B = 2-3/16" (56 mm)
		110°: A = 7" (178 mm) B = 1-9/16" (40 mm)

Note:

• 1450 closers ordered with EDA, CUSH or SPRING CUSH arms include 1450-201 FIFTH HOLE SPACER to support the shoe.

**Cylinders**

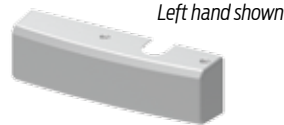


- 1450-3071**  
Cast Aluminum Cylinder Assembly
- Non-handed
  - Standard

**Covers**



- 1450-72**  
Slim Line Plastic Cover
- Non-handed
  - Standard



- 1450-72MC**  
Metal Cover
- Handed
  - Optional



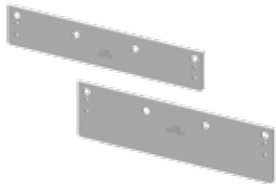
- 1450-72FC**  
Full Plastic Cover
- Non-handed
  - Optional

**Alternate Cover**

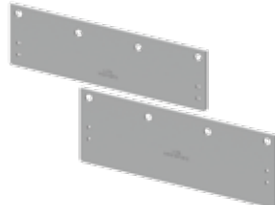


- 1450-72ALT**  
Alternate Cover
- Non-handed
  - Optional, sold separately (not packed with closer)

**Installation Accessories**



- 1450-18 / 1450-18FC**  
Plate
- Required for hinge side mount where top rail is less than 2-1/2" (64 mm)
  - Required for top jamb mounting where head frame is less than 1-3/4" (44 mm) or flush ceiling condition exists
  - Requires minimum 1-1/2" (38 mm) minimum top rail or 1-1/4" (32 mm) head frame
  - With full cover, use PLATE, 1450-18FC



- 1450-18PA / 1450-18PAFC**  
Plate
- Required for parallel arm mounting where top rail is less than 4-3/8" (111mm), measured from the stop
  - Requires 1-3/4" (44 mm) minimum top rail
  - With full cover, use PLATE, 1450-18FC



- 1450-30**  
CUSH Shoe Support
- Provide anchorage for fifth screw used with CUSH arms where reveal is less than 3-1/16" (78mm)



- 1450-61**  
Blade Stop Spacer
- Lowers parallel arm shoe to clear 1/2" (13 mm) blade stop.



- 1450-62PA**  
PA Shoe
- Required for parallel arm mounting



- 1450-62A**  
Auxiliary Shoe
- Requires a top rail of 7" (178mm). Optional shoe replaces -62PA for parallel arm mounting of regular arm with overhead holder/stop



- 1450-419**  
PA Flush Panel Adapter
- Provides horizontal mounting surface for PA, EDA or CUSH shoe on single rabbeted or flush frame

## Arms



**1450-3077**  
Regular Arm w/PA

- Non-handed
- Mounts hinge side or top jamb
- Includes PA SHOE, 1450-62PA required for parallel arm mounting



**1450-3077L**  
Long Arm

- Non-handed
- Includes LONG ROD AND SHOE, 1450-79LR for top jamb mount with deep reveals
- Optional



**1450-3049**  
Hold-Open Arm w/PA

- Non-handed
- Mounts hinge side, top jamb or parallel arm (62PA required)
- Hold-open adjustable at shoe
- Optional



**1450-3049L**  
Long Hold-Open Arm

- Non-handed
- Includes LONG HEAD AND TUBE, 1450-3048L for top jamb mount with deep reveals
- Optional



**1450-3077EDA**  
Extra Duty Arm

- Non-handed
- Features solid forged steel main and forearm for potentially abusive installations
- Optional 1450-3077EDA/G for blade stop clearance



**1450-3077EDA/62G**  
Extra Duty Arm w/ 62G

- Non-handed
- Features solid forged steel main and forearm for potentially abusive installations
- Optional 1450-3077EDA/G for blade stop clearance



**1450-3049EDA**  
Hold-Open Extra Duty Arm

- Handed arm
- Provides hold-open function adjustable at shoe
- Optional



**1450-3077CNS**  
Cush-n-Stop® Arm

- Non-handed
- Features solid forged steel main arm and forearm with stop in soffit shoe
- Optional



**1450-3049CNS**  
HCUSH Arm

- Non-handed
- Provides hold-open function with templated stop/hold-open points
- Handle controls hold-open function
- Optional



**1450-3077SCNS**  
Spring CUSH Arm

- Non-handed
- For abusive applications features solid forged steel main arm and forearm with spring loaded stop in the soffit shoe
- Optional



**1450-3049SCNS**  
Spring HCUSH Arm

- Non-handed
- For abusive applications features solid forged steel main arm and forearm with spring loaded stop in the soffit shoe
- Handle controls hold-open function
- Optional

**How-to-order 1450 Series closers**

**Select finish**

- Standard Powder Coat \_\_\_\_\_  
Aluminum, Dark Bronze, Statuary,  
Light Bronze, Black, Brass

**Closer will be shipped with:**

- Standard cylinder
- Standard cover
- Tri pack arm (Rw/PA)
- Universal screw pack  
unless options listed below are selected.

**Closer options**

**Cover**

- Full Plastic (FC)
- Metal (specify right or left hand) (MC)
- Alternate Cover (ALT) (sold separately from product)

**Finish**

- Custom Powder Coat (RAL)  
(Metal cover required)
- SRI primer

**Arm**

- Regular w/62PA (Rw/PA)
- Long (LONG)
- Regular w/62A (Rw/62A)
- Hold-Open w/62PA (Hw/PA)
- Long Hold-Open (HLONG)
- Extra Duty (EDA) (optional -62G)
- Hold-Open Extra Duty (HEDA) - specify handing
- Cush-N-Stop (CUSH)
- HCush (HCUSH)
- Spring Cush (SCUSH)
- Spring HCush (SHCUSH)

**Optional screw packs**

- TORX Machine Screw (TORX)
- TB\* & TORX Machine Screw (TBTORX)
- \* Specify door thickness if other than 1-3/4"

**Installation accessories**

- Plate, 1450-18
- Plate, 1450-18FC
- Plate, 1450-18PA
- Plate, 1450-18PAFC
- CUSH Shoe Support, 1450-30
- Blade Stop Spacer, 1450-61
- Auxiliary Shoe, 1450-62A
- PA Flush Panel Adapter, 1450-419

**Special template**

- ST- \_\_\_\_\_

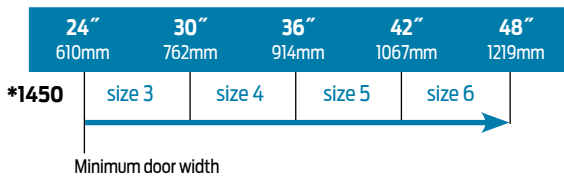
**Meets Buy American Act**

- BAA

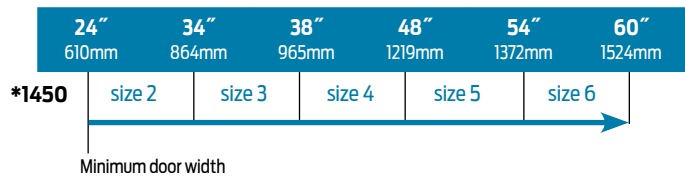
**Table of sizes**

- Select closer based on width of door.
- The spring power of a 1450 cylinder is field adjustable from size 1 through size 6 and is shipped adjusted to size 3.

**Exterior (and Vestibule) door width**



**Interior door width**




→ Indicates recommended range of door width for closer size.  
\* Adjustable Size 1 thru 6.

**Reduced opening force 1450 Series closers**

**CAUTION !** Any manual door closer, including those certified by BHMA to conform to ANSI Standard A156.4, that is selected, installed and adjusted based on ADA or other reduced opening force requirements may not provide sufficient power to reliably close and latch a door.

Refer to POWER OPERATORS section for information on systems that meet reduced opening force requirements without affecting closing power.

\* Maximum opening force.

	<b>DOOR WIDTH</b>	<b>36"</b>	<b>42"</b>	<b>48"</b>
	8.5* lbs.	1450	1450	1450
	5.0* lbs.	1450	1450	1450