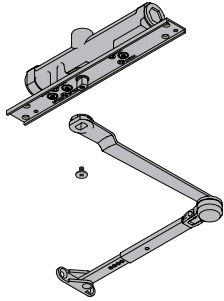
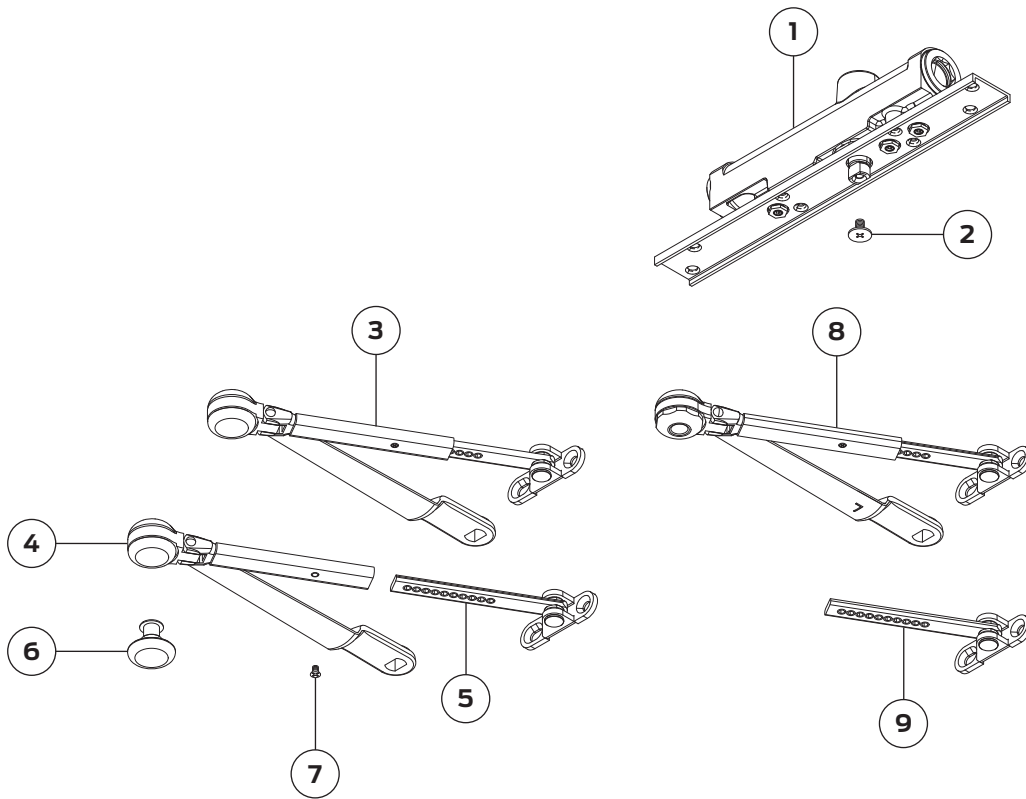


# 3030 Series



## Cylinder & Cover Parts



No.	Description	Part number
1	Cylinder Assembly (F)(S)(H)	3031(2-4)-3071
2	Arm Screw (F)	3030-159
3	Regular Arm (F)	3030-3077
4	Main Arm & Forearm (F)	3030-77
5	Rod & Shoe Assembly (F)	3030-79
6	Arm Stud (F)	3030-421

No.	Description	Part number
7	H Arm Screw (F)	3030-83H
8	Hold Open Arm (F)(H)	3030-3049
9	Hold Open Rod & Shoe Assembly (F)	3030-79H
10	Screw Pack (Not Shown)(F)	3030-WMS
11	Screw Pack (Not Shown)(F)	3030-TORX

Please specify finish (F), size (S), hand (H), & voltage (V) where indicated. See the latest edition of the LCN catalog for part descriptions and specifications on many of the items shown above. List prices for items shown above can be located in the current LCN price book.