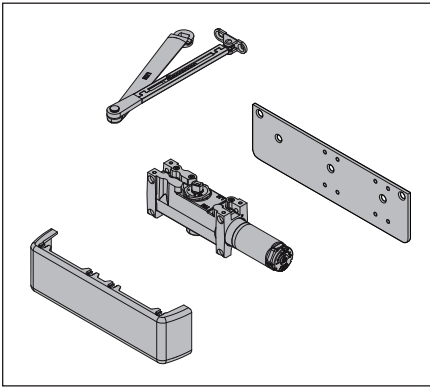
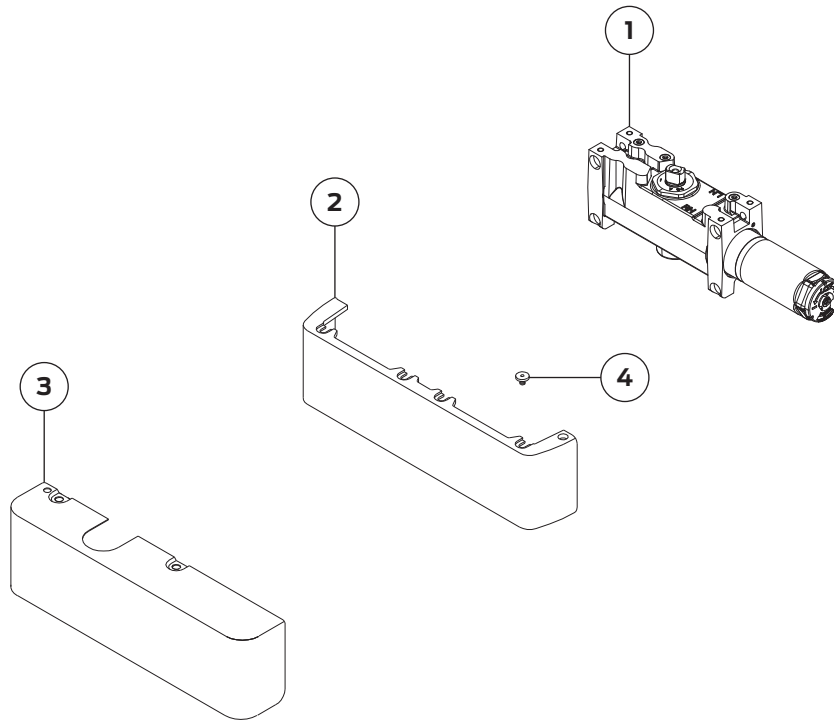


## 4010 Series "Smoother"



Cylinder & Cover Parts

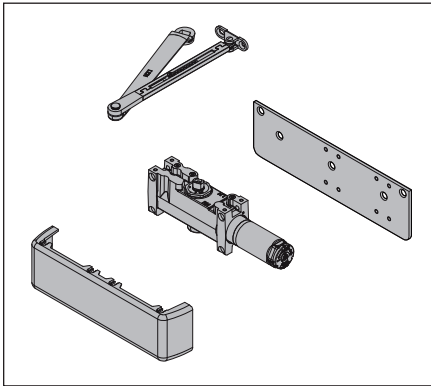


No.	Description	Part number
1	Cylinder Assembly (F)(S)(H)	4011(6)-3071
1	Cylinder Assembly w/ Delay (F)(S)(H)	4011-3071DEL
1	Assembly w/ TEL (F)(S)(H)	4011(6)-3071TEL
2	Standard Cover (F)	4010-72
3	Metal Cover (F)(H)	4010-72MC
4	Cover Screw (F)	4010-31

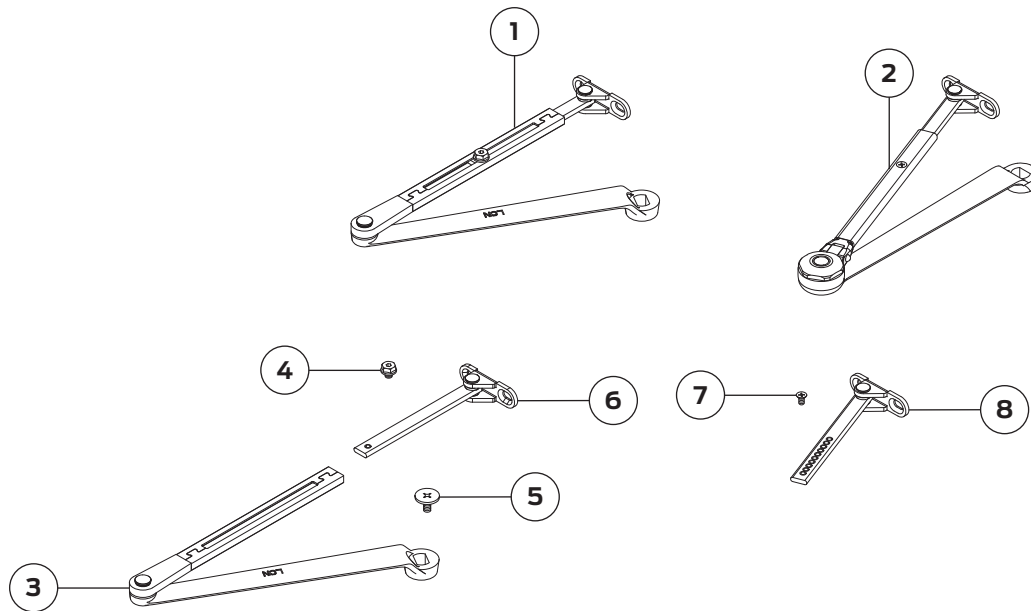
No.	Description	Part number
5	Screw Pack (Not Shown)(F)	4010-SRT
6	Screw Pack (Not Shown)(F)	4010-TBSRT
7	Screw Pack (Not Shown)(F)	4010-WMS
8	Screw Pack (Not Shown)(F)	4010-TBWMS
9	Screw Pack (Not Shown)(F)	4010-TORX
10	Screw Pack (Not Shown)(F)	4010-TBTRX

Please specify finish (F), size (S), hand (H), & voltage (V) where indicated. See the latest edition of the LCN catalog for part descriptions and specifications on many of the items shown above. List prices for items shown above can be located in the current LCN price book.

## 4010 Series "Smoothee"



Arm Assemblies & Parts

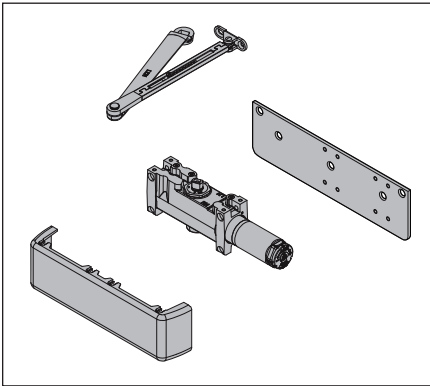


No.	Description	Part number
1	Regular Arm (F)	4010-3077
2	Hold-Open Arm (F)(H)	4010-3049
3	Main Arm & Forearm (F)	4010-77
4	Arm Screw (F)	4010-83

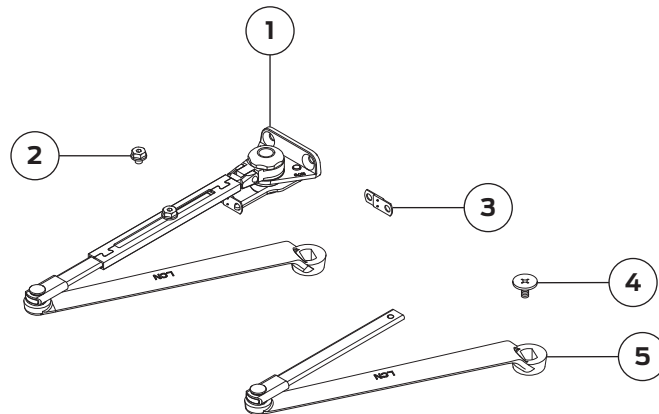
No.	Description	Part number
5	Arm Screw (F)	4010-159
6	Rod & Shoe (F)	4010-79
7	H Arm Screw (F)	4010-83H
8	Hold-Open Rod & Shoe (F)	4010-79H

Please specify finish (F), size (S), hand (H), & voltage (V) where indicated. See the latest edition of the LCN catalog for part descriptions and specifications on many of the items shown above. List prices for items shown above can be located in the current LCN price book.

## 4010 Series "Smoother"



Arm Assemblies & Parts Cont.



No.	Description	Part number
1	Fusible Link (FL) Arm (F)(H)	4010-3049FL
2	Arm Screw (F)	4010-83
3	Fusible Link	4010-28

No.	Description	Part number
4	Arm Screw (F)	4010-159
5	FL Main Arm & Rod (F)	4010-49FL

Please specify finish (F), size (S), hand (H), & voltage (V) where indicated. See the latest edition of the LCN catalog for part descriptions and specifications on many of the items shown above. List prices for items shown above can be located in the current LCN price book.