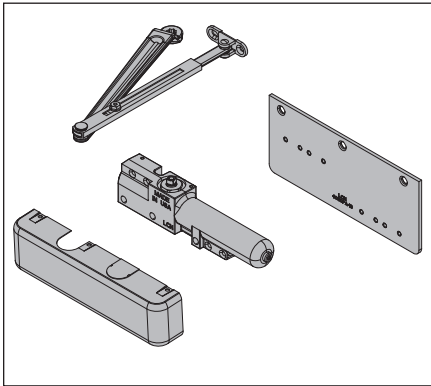
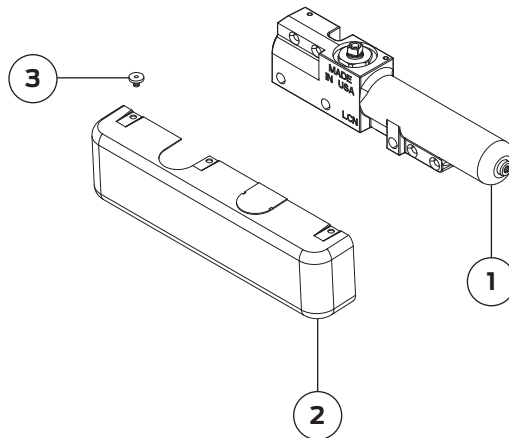


4030 Series "Smoothee"



Cylinder & Cover Parts

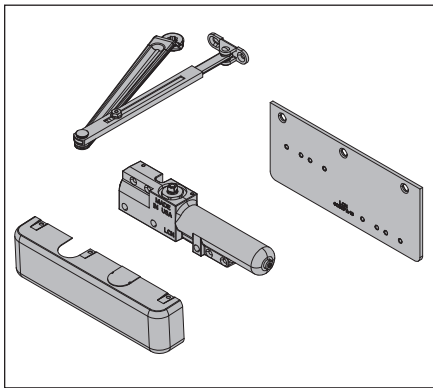


No.	Description	Part number
1	Standard Cylinder Assembly (F)(S)	4031-3071
2	Metal Cover (F)	4030-72MC
3	Cover Screw (F)	4030-31

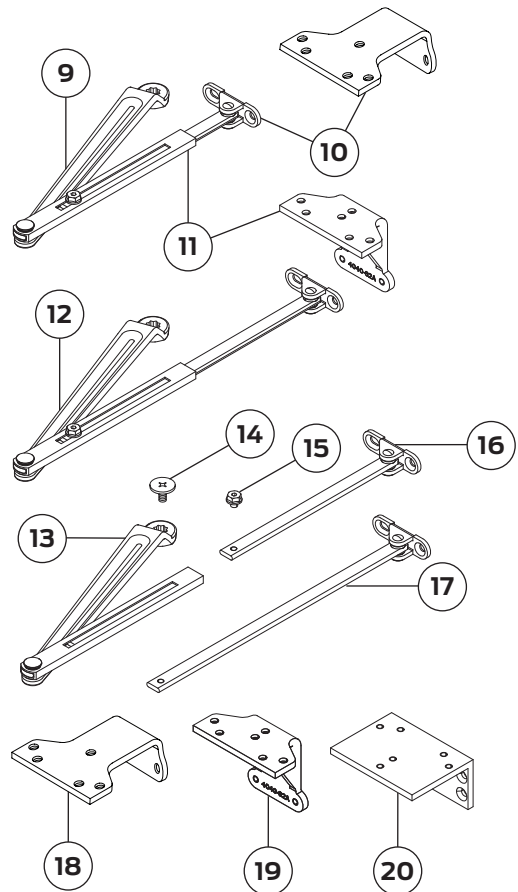
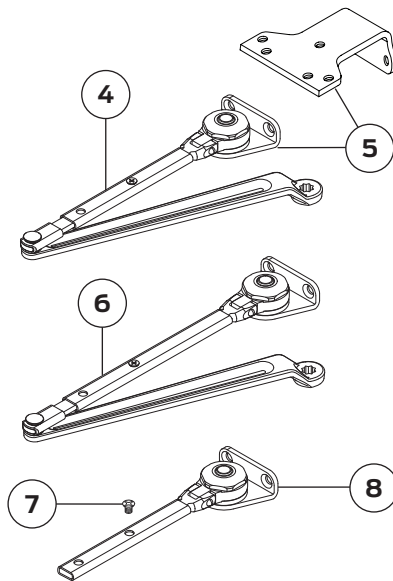
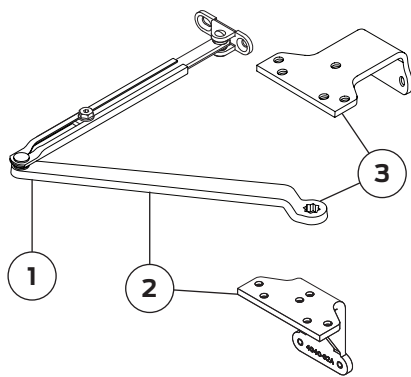
No.	Description	Part number
4	Screw Pack (Not Shown)(F)	4030-WMS
5	Screw Pack (Not Shown)(F)	4030-TBWMS

Please specify finish (F), size (S), hand (H), & voltage (V) where indicated. See the latest edition of the LCN catalog for part descriptions and specifications on many of the items shown above. List prices for items shown above can be located in the current LCN price book.

4030 Series "Smoothee"



Arm Assemblies & Parts

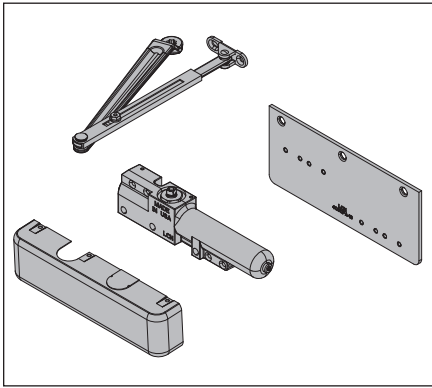


No.	Description	Part number
1	Light Duty Arm (F)	4030-3077LD
2	Light Duty Arm w/ 62A (F)	4030-3077LD/62A
3	Light Duty Arm w/ PA (F)	4030-3077LD/PA
4	H Arm (F)	4030-3049
5	H Arm w/ 62PA (F)	4030-3049/PA
6	H Long Arm (F)	4030-3049/L
7	H Arm Screw (F)	4020-83H
8	Head & Tube Assy (F)	4030-3048
9	Regular Arm (F)	4030-3077
10	Regular Arm w/ 62PA (F)	4030-3077/PA
11	Regular Arm w/ 62A (F)	4030-3077/62A

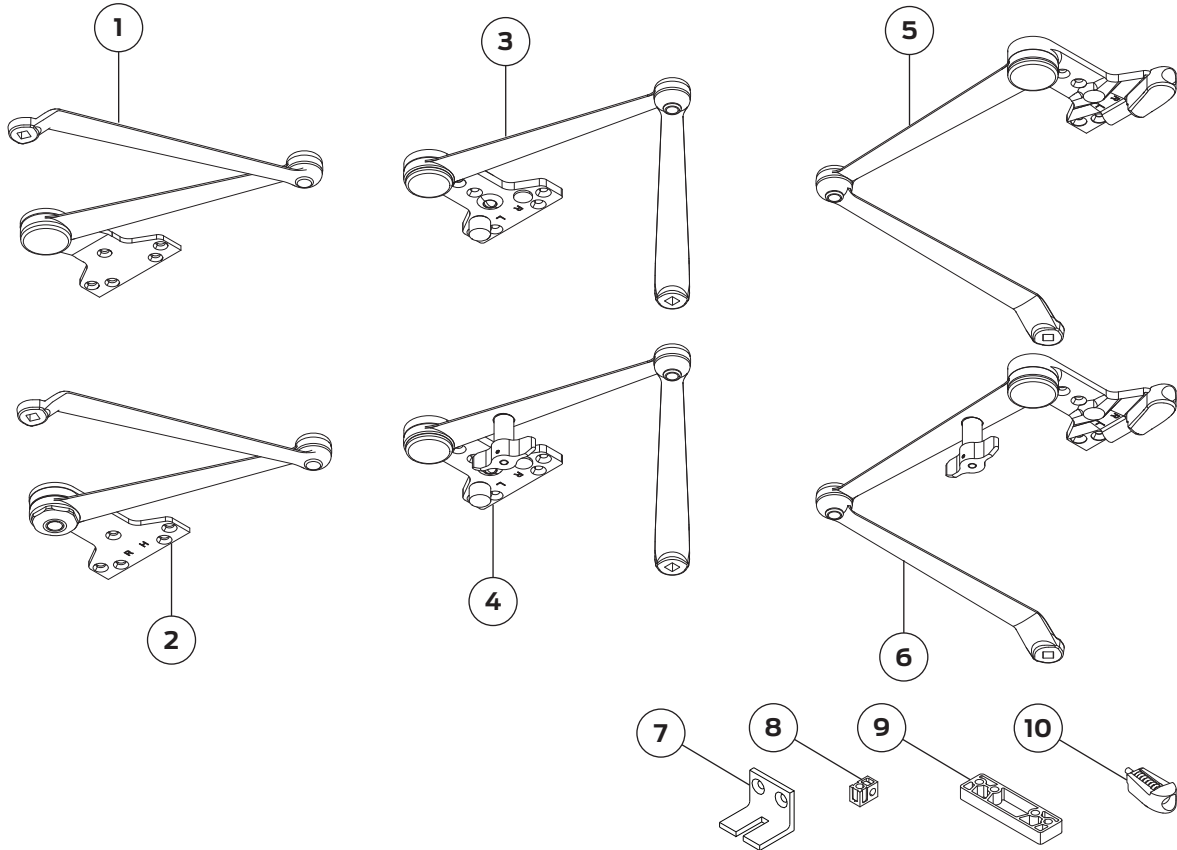
No.	Description	Part number
12	Long Arm (F)	4030-3077L
13	Arm & Forearm (F)	4030-77
14	Arm Screw (F)	4030-159
15	Arm Screw (F)	4030-83
16	Rod & Shoe	4030-79
17	Long Rod & Shoe	4030-79LR
18	PA Shoe (F)	4030-62PA
19	Auxiliary Shoe (F)	4030-62A
20	Panel Adapter (F)	4030-419
21	Hold Open Shoe (Not Shown)(F)	4030-3045

Please specify finish (F), size (S), hand (H), & voltage (V) where indicated. See the latest edition of the LCN catalog for part descriptions and specifications on many of the items shown above. List prices for items shown above can be located in the current LCN price book.

4030 Series "Smoother"



Arm Assemblies & Parts Cont.



No.	Description	Part number
1	EDA Arm (F)	4030-3077EDA
2	H EDA Arm (F)(H)	4030-3049EDA
3	Cush Arm (F)	4030-3077CNS
4	HCush Arm (F)	4030-3049CNS
5	SCush Arm (F)	4030-3077SCNS

No.	Description	Part number
6	Spring HCush Arm (F)	4030-3049SCNS
7	Cush Shoe Support (F)	4030-30
8	Fifth Screw Spacer	4030-201
9	Blade Stop Spacer (F)	4030-61
10	Spring Cush Block (F)	4030-3080

Please specify finish (F), size (S), hand (H), & voltage (V) where indicated. See the latest edition of the LCN catalog for part descriptions and specifications on many of the items shown above. List prices for items shown above can be located in the current LCN price book.