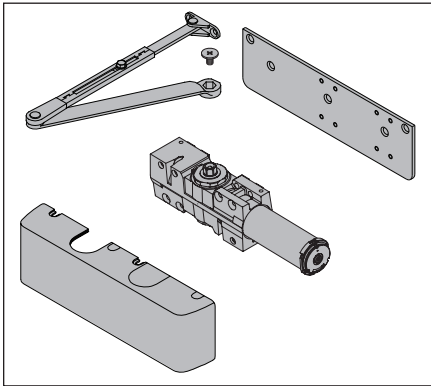
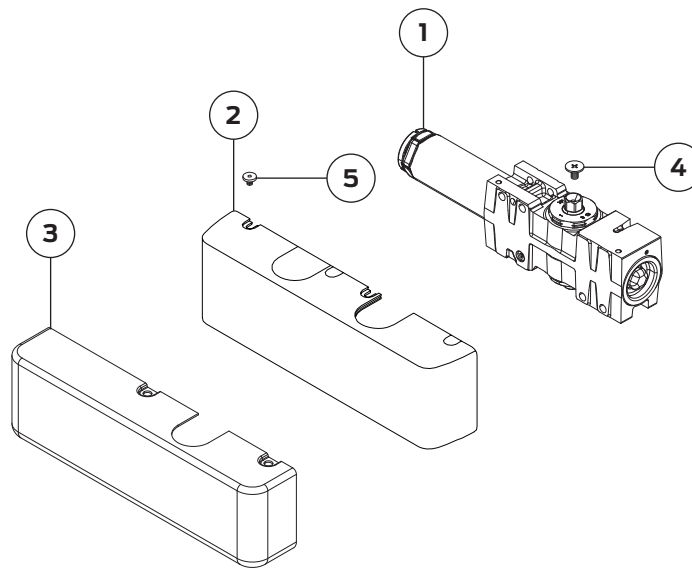


## 4040XP Series "Super Smoothee"



Cylinder & Cover Parts

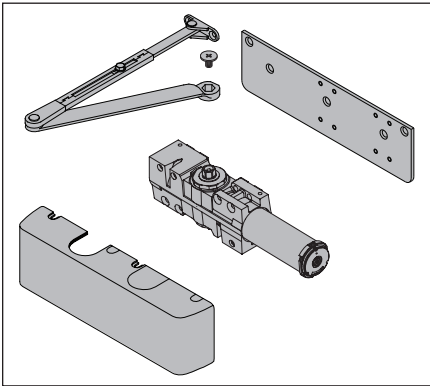


No.	Description	Part number
1	Cylinder Assembly (F)	4040XP-3071
1	Cylinder Assembly w/ Delay (F)	4041-3071DEL
2	Standard Cover (F)	4040XP-72
3	Metal Cover (F)(H)	4040XP-72MC
4	Arm Screw (F)	4040XP-159
5	Cover Screw (F)	4040XP-31

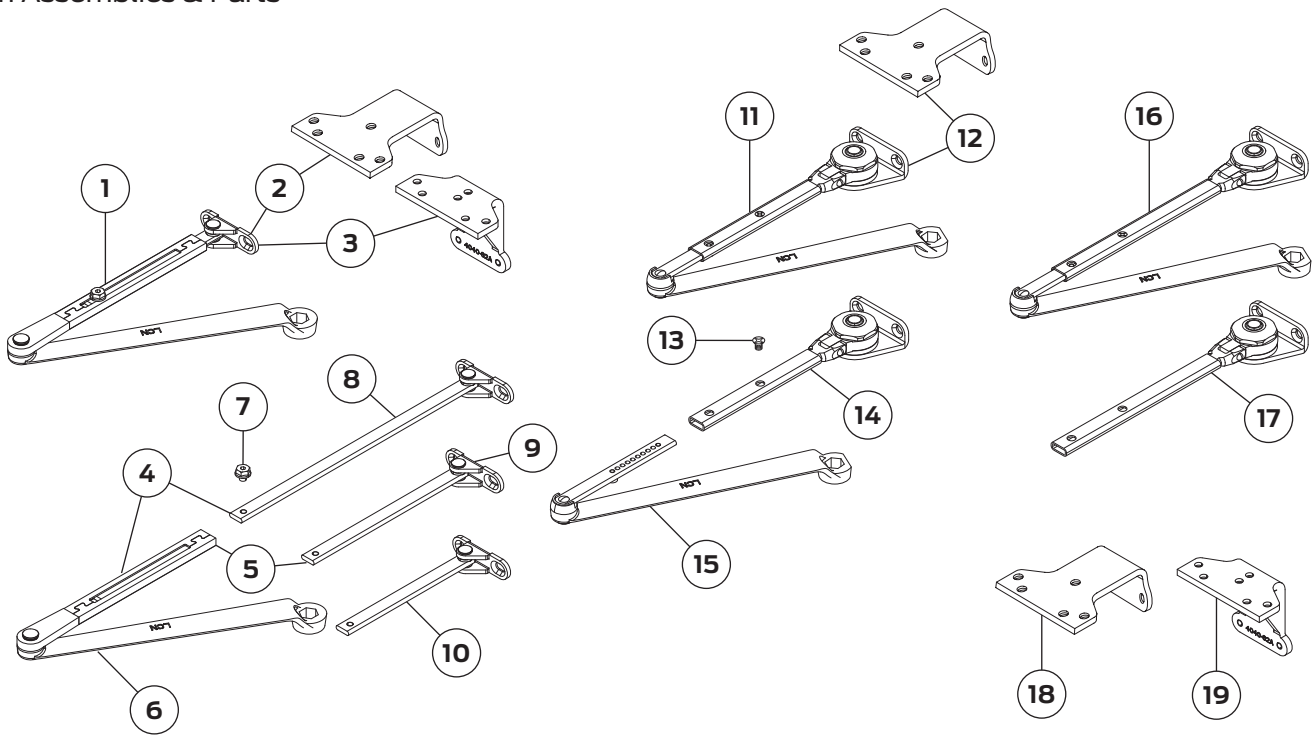
No.	Description	Part number
6	Screw Pack (Not Shown)(F)	4040XP-SRT
7	Screw Pack (Not Shown)(F)	4040XP-TBSRT
8	Screw Pack (Not Shown)(F)	4040XP-WMS
9	Screw Pack (Not Shown)(F)	4040XP-TBWMS
10	Screw Pack (Not Shown)(F)	4040XP-TORX
11	Screw Pack (Not Shown)(F)	4040XP-TBTRX

Please specify finish (F), size (S), hand (H), & voltage (V) where indicated. See the latest edition of the LCN catalog for part descriptions and specifications on many of the items shown above. List prices for items shown above can be located in the current LCN price book.

# 4040XP Series "Super Smoothee"



## Arm Assemblies & Parts

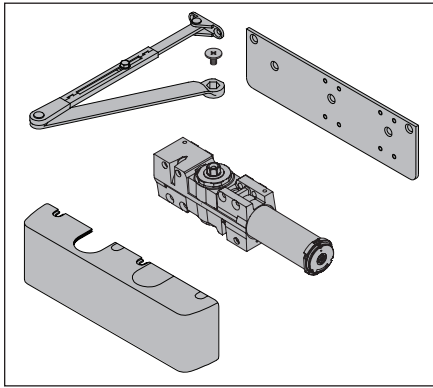


No.	Description	Part number
1	Reg Arm (F)	4040XP-3077
2	Reg Arm w/PA (F)	4040XP-3077/PA
3	Reg Arm w/62A (F)	4040XP-3077/62A
4	XL Reg Arm (F)	4040XP-3077XL
5	Long Arm (F)	4040XP-3077L
6	Arm & Forearm	4040XP-77
7	Arm Screw (F)	4040XP-83
8	XL Rod & Shoe	4040XP-79ELR
9	Long Rod & Shoe	4040XP-79LR
10	Rod & Shoe	4040XP-79

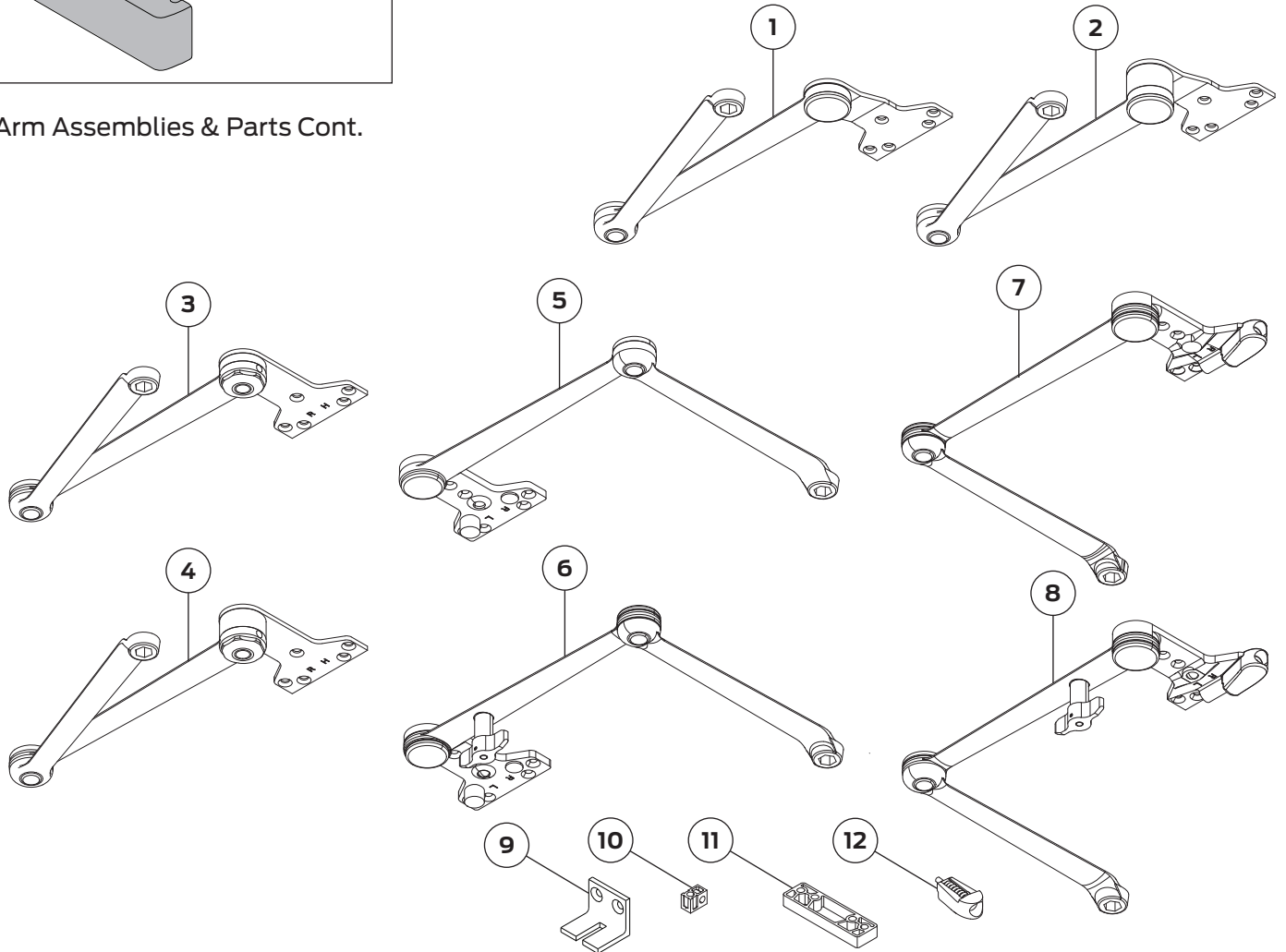
No.	Description	Part number
11	Hold Open Arm (F)	4040XP-3049
12	H Arm w/62PA (F)	4040XP-3049/PA
13	H Arm Screw (F)	4040XP-83H
14	H Head & Tube (F)	4040XP-3048
15	Hold Open Main Arm (F)	4040XP-49
16	H Long Arm (F)	4040XP-3049L
17	Head & Long Tube (F)	4040XP-3048L
18	PA Shoe (F)	4040XP-62PA
19	Auxiliary Shoe (F)	4040XP-62A

Please specify finish (F), size (S), hand (H), & voltage (V) where indicated. See the latest edition of the LCN catalog for part descriptions and specifications on many of the items shown above. List prices for items shown above can be located in the current LCN price book.

## 4040XP Series "Super Smoothee"



Arm Assemblies & Parts Cont.

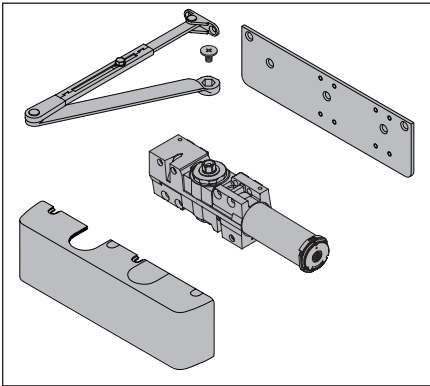


No.	Description	Part number
1	EDA Arm (F)	4040XP-3077EDA
2	EDA Arm w/62G (F)	4040XP-3077EDA/G
3	H EDA Arm (F)(H)	4040XP-3049EDA
4	H EDA Arm w/62G (F)(H)	4040XP-3049EDA/G
5	Cush Arm (F)	4040XP-3077CNS
6	H Cush Arm (F)	4040XP-3049CNS

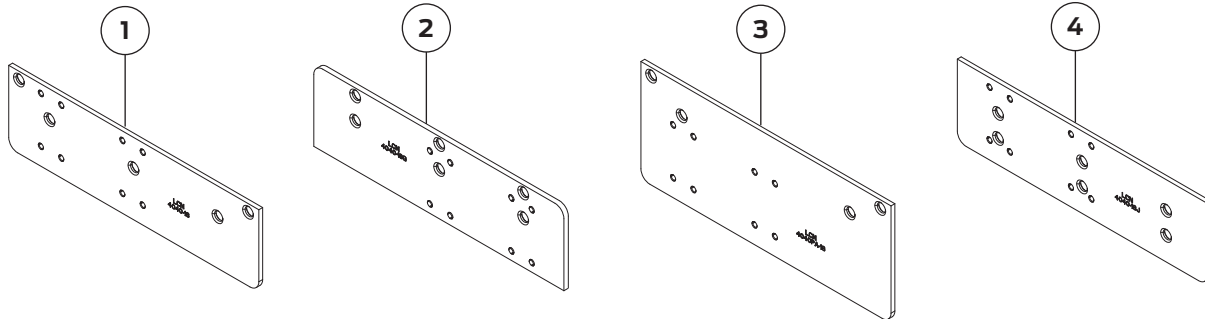
No.	Description	Part number
7	S Cush Arm (F)	4040XP-3077SCNS
8	Spring H Cush Arm (F)	4040XP-3049SCNS
9	Cush Shoe Support (F)	4040XP-30
10	Fifth Screw Spacer	4040XP-201
11	Blade Stop Spacer (F)	4040-61
12	Spring Cush Block (F)	4040XP-3080

Please specify finish (F), size (S), hand (H), & voltage (V) where indicated. See the latest edition of the LCN catalog for part descriptions and specifications on many of the items shown above. List prices for items shown above can be located in the current LCN price book.

## 4040XP Series "Super Smoothee"



### Mounting Plates & Installation Accessories



No.	Description	Part number
1	Mounting Plate (F)	4040-18
2	Mounting Plate (F)	4040-18G

No.	Description	Part number
3	Mounting Plate (F)	4040-18PA
4	Mounting Plate (F)	4040-18TJ

Please specify finish (F), size (S), hand (H), & voltage (V) where indicated. See the latest edition of the LCN catalog for part descriptions and specifications on many of the items shown above. List prices for items shown above can be located in the current LCN price book.