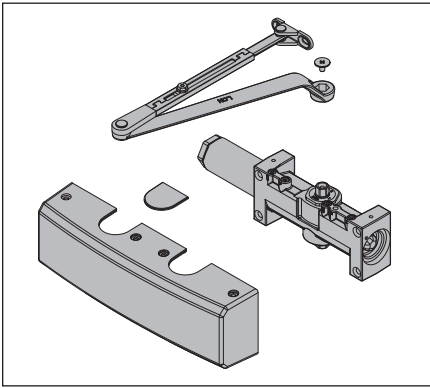
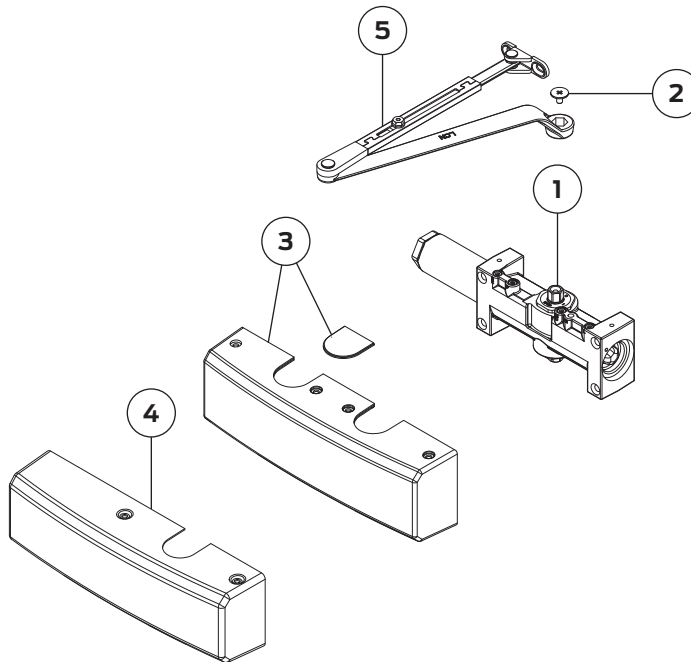


4050 Series



Cylinder & Cover Parts

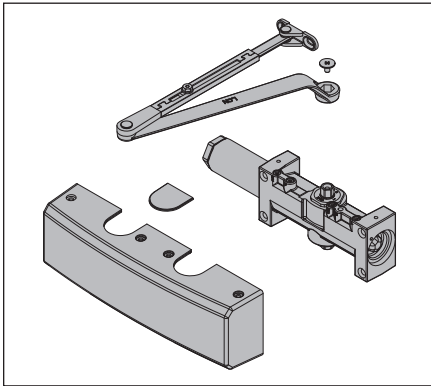


No.	Description	Part number
1	Cylinder Assembly (F)	4050-3071
1	Delayed Action Cylinder (F)	4050-3071DEL
2	Arm Screw (F)	1250-UNIV
3	Standard Plastic Cover (F)	4050-72
4	Metal Cover (F)(H)	4050-72MC
5	Reg Arm (F)	4050-3077

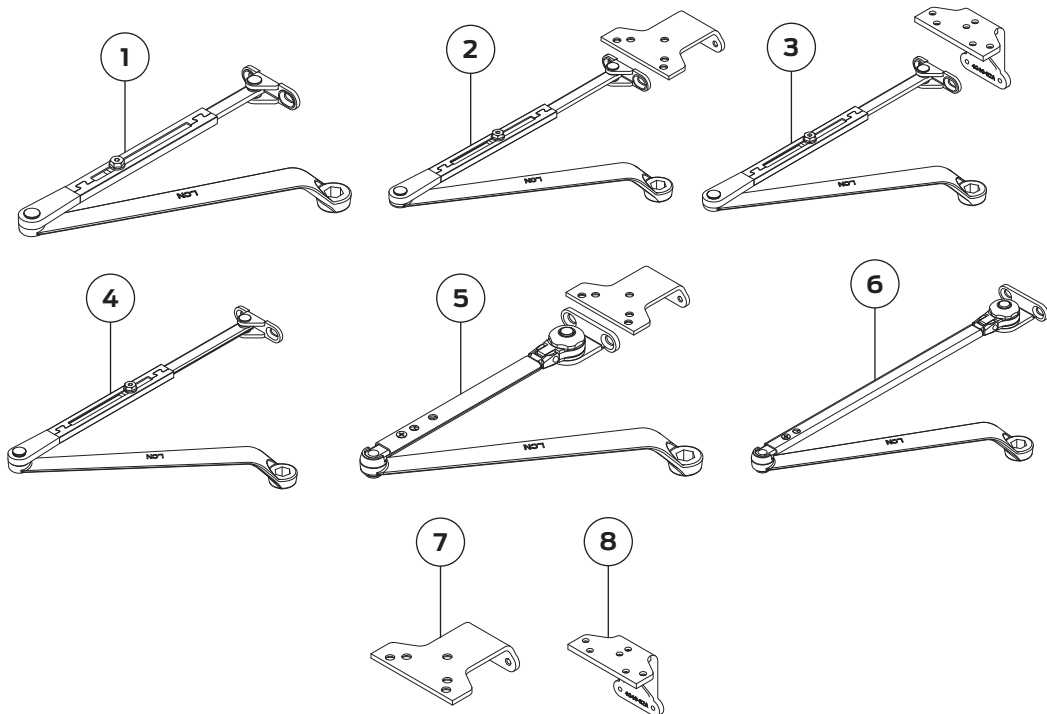
No.	Description	Part number
6	Screw Pack (Not Shown)(F)	4050-SRT
7	Screw Pack (Not Shown)(F)	4050-TBSRT
8	Screw Pack (Not Shown)(F)	4050-WMS
9	Screw Pack (Not Shown)(F)	4050-TBWMS
10	Screw Pack (Not Shown)(F)	4050-TORX
11	Screw Pack (Not Shown)(F)	4050-TBTRX

Please specify finish (F), size (S), hand (H), & voltage (V) where indicated. See the latest edition of the LCN catalog for part descriptions and specifications on many of the items shown above. List prices for items shown above can be located in the current LCN price book.

4050 Series



Arm Assemblies & Parts

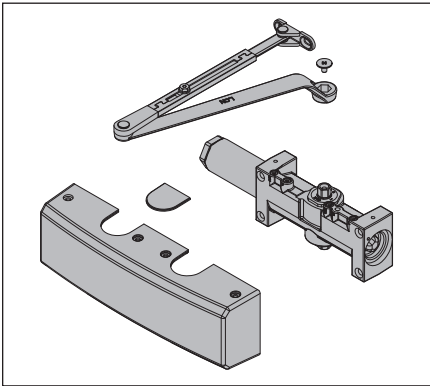


No.	Description	Part number
1	Reg Arm (F)	4050-3077
2	Reg Arm w/ 62PA (F)	4050-3077/62PA
3	Reg Arm w/ 62A Shoe (F)	4050-3077/62A
4	Long Arm (F)	4050-3077L

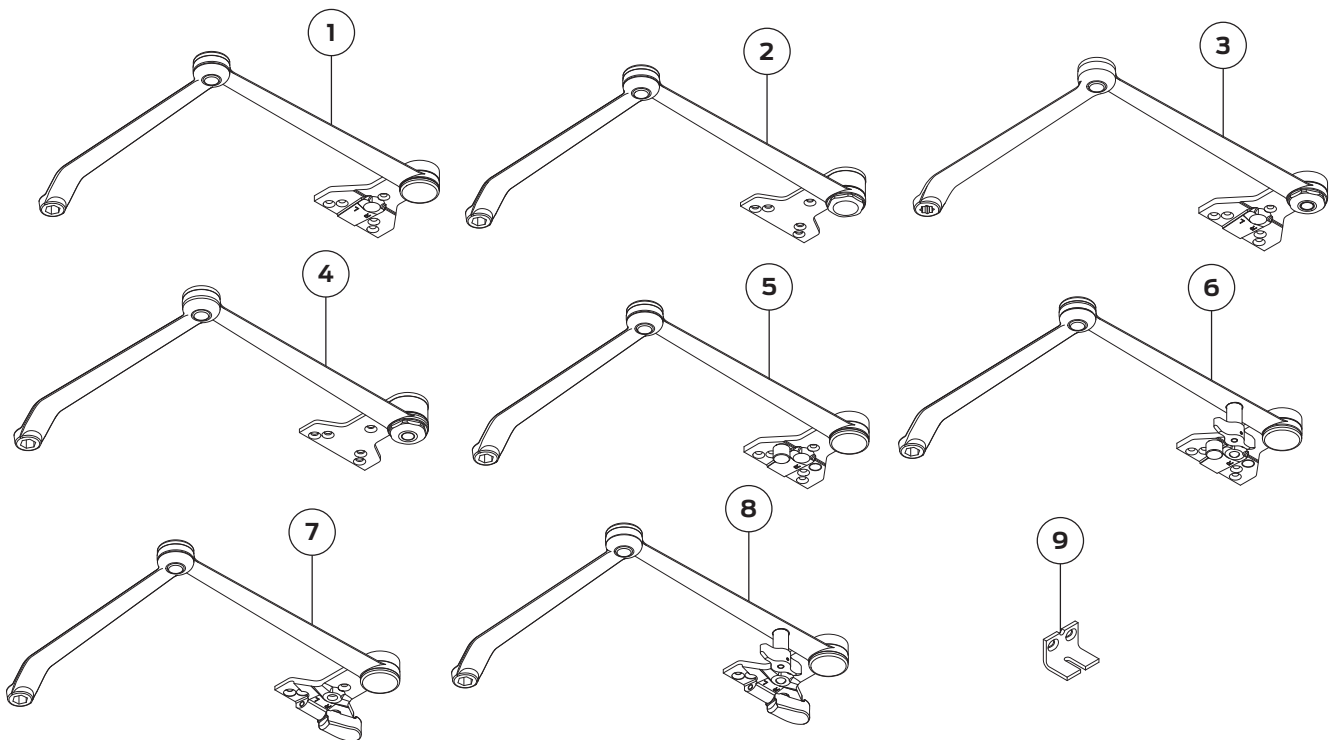
No.	Description	Part number
5	Hold Open Arm w/ 62PA (F)	4050-3049/PA
6	Hold Open Long Arm (F)	4050-3049L
7	PA Shoe (F)	4050-62PA
8	Auxiliary Shoe (F)	4050-62A

Please specify finish (F), size (S), hand (H), & voltage (V) where indicated. See the latest edition of the LCN catalog for part descriptions and specifications on many of the items shown above. List prices for items shown above can be located in the current LCN price book.

4050 Series



Arm Assemblies & Parts

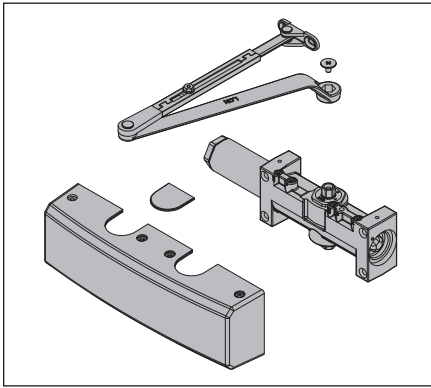


No.	Description	Part number
1	EDA Arm (F)	4050-3077EDA
2	EDA Arm w/ 62G (F)	4050-3077EDA/G
3	Hold Open EDA (F)(H)	4050-3049EDA
4	Hold Open EDA w/ 62G (F)(H)	4050-3049EDA/G
5	CUSH Arm (F)	4050-3077CNS

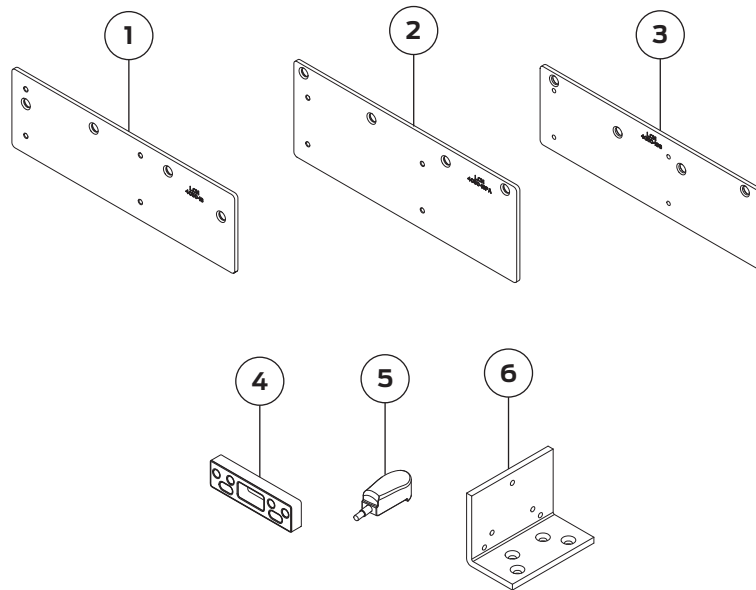
No.	Description	Part number
6	Hold Open CUSH Arm (F)	4050-3049CNS
7	Spring CUSH Arm (F)	4050-3077SCNS
8	Hold Open Spring CUSH Arm (F)	4050-3049SCNS
9	CUSH Shoe Support (F)	4050-30

Please specify finish (F), size (S), hand (H), & voltage (V) where indicated. See the latest edition of the LCN catalog for part descriptions and specifications on many of the items shown above. List prices for items shown above can be located in the current LCN price book.

4050 Series



Mounting Plates & Miscellaneous Parts



No.	Description	Part number
1	18 Mounting Plate (F)	4050-18
2	18PA Mounting Plate (F)	4050-18PA
3	18G Mounting Plate for Clearance (F)	4050-18G

No.	Description	Part number
4	Blade Stop Spacer (F)	4050-61
5	Spring CUSH Block (F)	4050-3080
6	Flush Panel Adapter (F)	4050-419

Please specify finish (F), size (S), hand (H), & voltage (V) where indicated. See the latest edition of the LCN catalog for part descriptions and specifications on many of the items shown above. List prices for items shown above can be located in the current LCN price book.