



Your **ONE-STOP** Shop



Series 280 SENSAGUARD™

Glynn-Johnson provides a holder/release smoke detector designed to allow fire doors to remain open for easy passage, while releasing doors in an emergency. The SensaGuard™ Series 280 features an internal ionization-type smoke detector, powered by a single nine-volt battery. Its fail-safe operation automatically releases the door when battery power drops below 7.2 volts.

Safe and Dependable

- Fail Safe Operation
- Battery Operated
- Automatic Release when Battery Power Drops

Unmatched Convenience

- Easy to Install
- Self-contained
- Adjustable Hold-Open
- Stand-Alone Detector/Holder

UL Listed

- Fail Safe Electronics

Ideal for a variety of uses, including:

- Office building corridors
- Factories
- Schools
- Hospitals
- Nursing home patient rooms
- Multifamily residential units

Adjustable Hold-Open

- SENSAGUARD™ will hold the door open at a single, adjustable position:
 - Pull Side Mounted adjustable from 90° to 130°
 - Push Side Mounted adjustable from 90° to 180°
- Adjustable Hold-Open force

NFPA 101, Life Safety Code

- 5-2.1.8 Self Closing Devices Exception C, 2

Finishes

- US28 Clear Anodized Aluminum
- 313AN Dark Bronze Anodized Aluminum

Dimensions

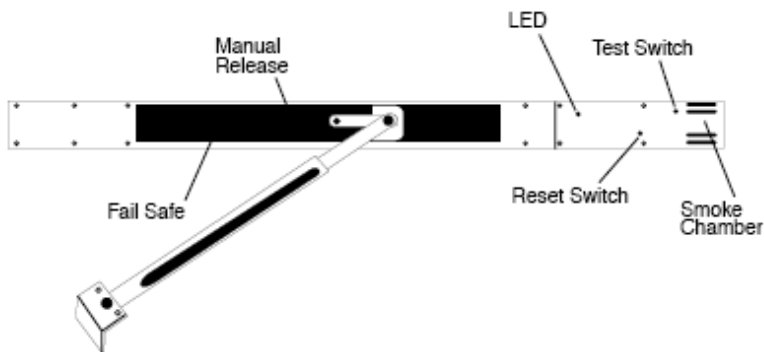
- Channel 27" Long x 1-3/8" Tall x 2-1/8" Depth
- Angle Bracket 2-3/4" Wide x 1" Tall x 1-1/2" Depth

Battery Requirement

- Unit is furnished with battery.
- To replace battery, use a 9V Alkaline Eveready Energizer® #522 battery or Duracell® #MN1604. Do not substitute.



Your ONE-STOP Shop



Test Switch

Allows testing for proper operation of the release mechanism.

Reset Switch

Used to reset the unit after testing or smoke detection.

Smoke Chamber

An ionization chamber that when smoke or particles of combustion are detected will release the door.

LED Indicator

Monitors the battery condition and signals status every 40 seconds.

Fail Safe Operation

Releases the hold-open when battery is below 7.2 volts or if battery or battery cover is removed.

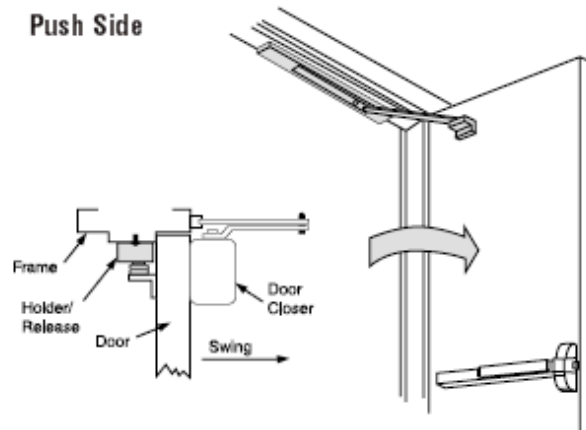
Manual Release

Allows the door to close when pulled to the closed position. The unit will reset when the door is returned to hold-open position.

Easy to Install

SensaGuard Holder/Release is easy to install. The unit surface mounts to the top of the door frame and the arm attaches to the door. The unit is battery operated, self-contained and requires no external wiring.

Push Side



Pull Side

