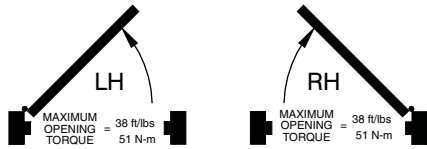


INSTALLATION INSTRUCTIONS

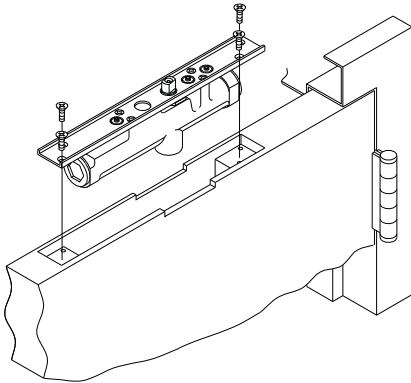
CAUTION

IMPROPER INSTALLATION OR REGULATION MAY RESULT IN PERSONAL INJURY OR PROPERTY DAMAGE. FOLLOW ALL INSTRUCTIONS CAREFULLY. FOR QUESTIONS, CALL LCN AT 800 - 526 - 2400

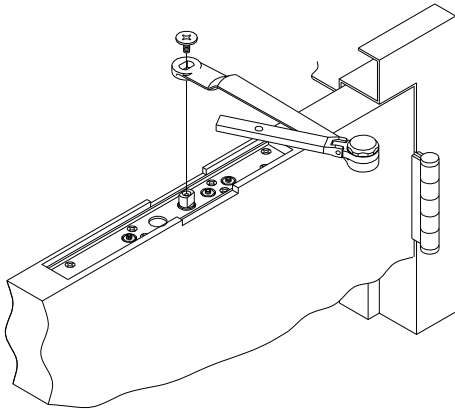


1. Determine hand of door using diagram above. Hand of closer must match hand of door. The closer mtg. plate is marked with an "R" or "L". Determine desired degree of opening and prepare door & frame per template on reverse side. Proper mortising of door is required for closer to operate correctly.

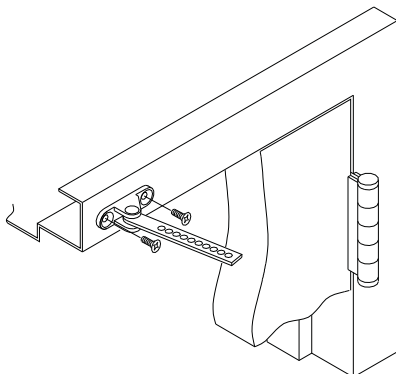
2. Install closer into door as shown below and secure with screws provided.



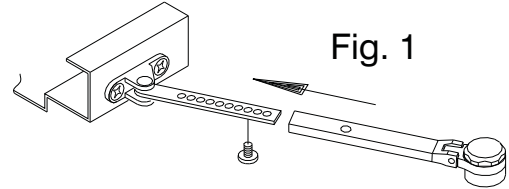
3. Attach arm to closer as shown below, then fasten with arm shaft screw.



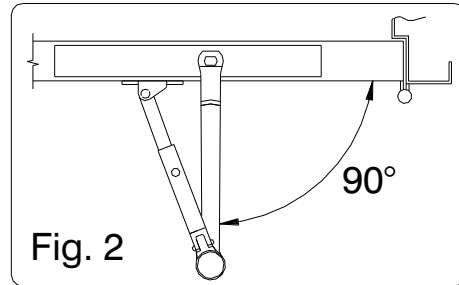
4. Install rod & shoe assembly on frame as shown below. The longer part of the shoe should be towards hinge.



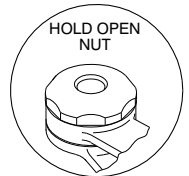
5. Open door far enough to insert rod (attached to frame) into arm tube, shown in Fig. 1. Close door completely.



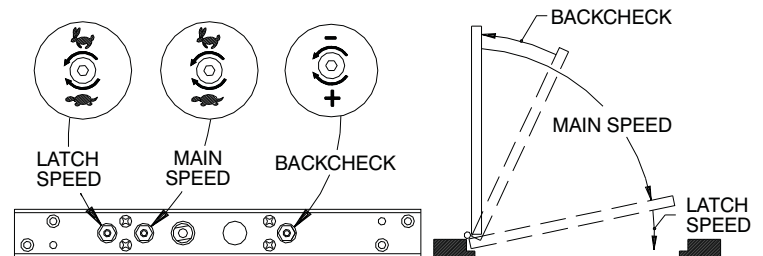
6. Pre-load arm so that main arm is at a right angle (90°) to frame, as shown in Fig. 2 below. Holding arm in this position, insert and tighten arm screw.



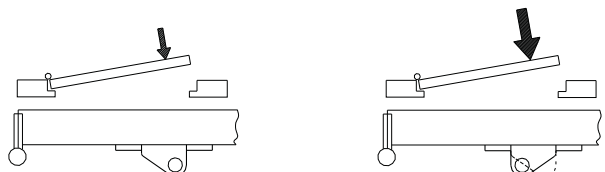
7. Adjustment of hold open arm (90° - 140°): The arm is preset at factory to hold open at approx. 90°. To adjust setting: Loosen hold open nut; open door to 3° - 5° before desired hold open position; then tighten hold open nut securely.



8. CLOSER REGULATION: The 3030 series closer has been regulated prior to shipment. If adjustments are needed, use a 3/32" hex wrench and consult diagram below.

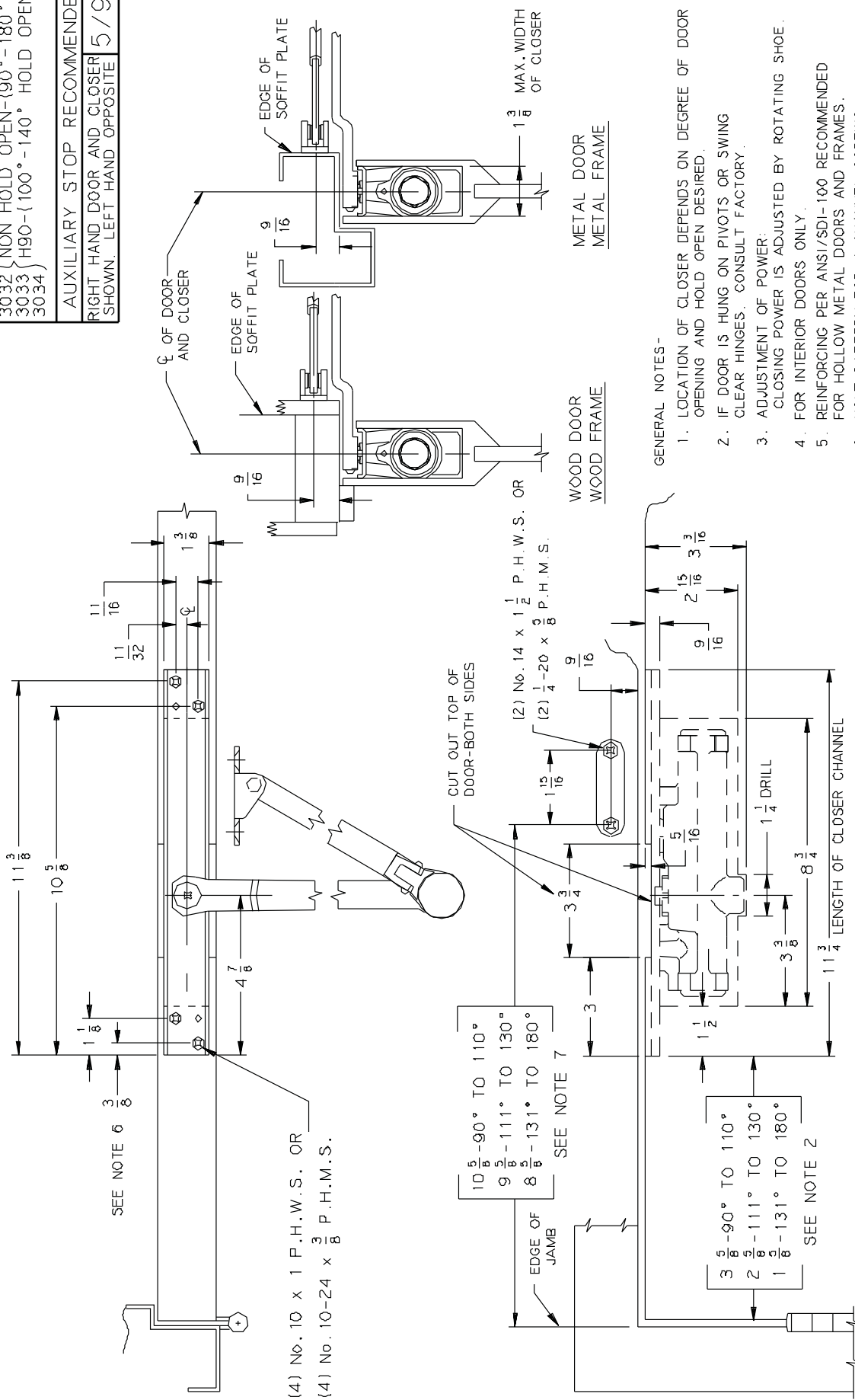


9. FOR INCREASED CLOSING POWER: Disconnect arm from rod & shoe. Remove screws holding rod & shoe to frame. Rotate shoe 180° and re-attach to frame with longer part of shoe toward latch as shown.



3031 } NON HOLD OPEN-(90° - 180°)
 3032 }
 3033 } H90-(100° - 140° HOLD OPEN)
 3034 }

AUXILIARY STOP RECOMMENDED
 RIGHT HAND DOOR AND CLOSER
 SHOWN. LEFT HAND OPPOSITE 5/97



GENERAL NOTES-

1. LOCATION OF CLOSER DEPENDS ON DEGREE OF DOOR OPENING AND HOLD OPEN DESIRED.
2. IF DOOR IS HUNG ON PIVOTS OR SWING CLEAR HINGES, CONSULT FACTORY.
3. ADJUSTMENT OF POWER:
 CLOSING POWER IS ADJUSTED BY ROTATING SHOE.
 4. FOR INTERIOR DOORS ONLY.
5. REINFORCING PER ANSI/SDI-100 RECOMMENDED FOR HOLLOW METAL DOORS AND FRAMES.
6. HOLE PATTERN FOR 4 CHANNEL SCREWS IDENTICAL FOR R.H. & L.H.
7. HOLD OPEN IS NOT EFFECTIVE BEYOND 140°

No.	REVISION	BY	DATE	LCN [®]	APP BY JEJ 6/96
6	TEMPLATE UPDATE	JEJ	6/96		DO NOT SCALE
7	REVISED DIMENS.	AMM	2/98		CONCEALED DOOR CLOSER-EXPOSED ARMS WITH SURFACE APPLIED SHOE

3030

INCH	1/4	5/16	11/32	1/2	3/4	11/8	1 1/8	1 1/4	1 1/2	1 5/8	1 3/4	1 7/8	1 7/8	2	2 1/8	2 1/4	2 1/2	2 5/8	2 3/4	2 7/8	3	3 1/8	3 1/4	3 1/2	3 3/4	3 7/8	4	4 1/8	4 1/4	4 1/2	4 5/8	4 3/4	4 7/8	5	5 1/8	5 1/4	5 1/2	5 5/8	5 3/4	5 7/8	6	6 1/8	6 1/4	6 1/2	6 5/8	6 3/4	6 7/8	7	7 1/8	7 1/4	7 1/2	7 5/8	7 3/4	7 7/8	8	8 1/8	8 1/4	8 1/2	8 5/8	8 3/4	8 7/8	9	9 1/8	9 1/4	9 1/2	9 5/8	9 3/4	9 7/8	10	10 1/8	10 1/4	10 1/2	10 5/8	10 3/4	10 7/8	11	11 1/8	11 1/4	11 1/2	11 5/8	11 3/4	11 7/8	12	12 1/8	12 1/4	12 1/2	12 5/8	12 3/4	12 7/8	13	13 1/8	13 1/4	13 1/2	13 5/8	13 3/4	13 7/8	14	14 1/8	14 1/4	14 1/2	14 5/8	14 3/4	14 7/8	15	15 1/8	15 1/4	15 1/2	15 5/8	15 3/4	15 7/8	16	16 1/8	16 1/4	16 1/2	16 5/8	16 3/4	16 7/8	17	17 1/8	17 1/4	17 1/2	17 5/8	17 3/4	17 7/8	18	18 1/8	18 1/4	18 1/2	18 5/8	18 3/4	18 7/8	19	19 1/8	19 1/4	19 1/2	19 5/8	19 3/4	19 7/8	20	20 1/8	20 1/4	20 1/2	20 5/8	20 3/4	20 7/8	21	21 1/8	21 1/4	21 1/2	21 5/8	21 3/4	21 7/8	22	22 1/8	22 1/4	22 1/2	22 5/8	22 3/4	22 7/8	23	23 1/8	23 1/4	23 1/2	23 5/8	23 3/4	23 7/8	24	24 1/8	24 1/4	24 1/2	24 5/8	24 3/4	24 7/8	25	25 1/8	25 1/4	25 1/2	25 5/8	25 3/4	25 7/8	26	26 1/8	26 1/4	26 1/2	26 5/8	26 3/4	26 7/8	27	27 1/8	27 1/4	27 1/2	27 5/8	27 3/4	27 7/8	28	28 1/8	28 1/4	28 1/2	28 5/8	28 3/4	28 7/8	29	29 1/8	29 1/4	29 1/2	29 5/8	29 3/4	29 7/8	30	30 1/8	30 1/4	30 1/2	30 5/8	30 3/4	30 7/8	31	31 1/8	31 1/4	31 1/2	31 5/8	31 3/4	31 7/8	32	32 1/8	32 1/4	32 1/2	32 5/8	32 3/4	32 7/8	33	33 1/8	33 1/4	33 1/2	33 5/8	33 3/4	33 7/8	34	34 1/8	34 1/4	34 1/2	34 5/8	34 3/4	34 7/8	35	35 1/8	35 1/4	35 1/2	35 5/8	35 3/4	35 7/8	36	36 1/8	36 1/4	36 1/2	36 5/8	36 3/4	36 7/8	37	37 1/8	37 1/4	37 1/2	37 5/8	37 3/4	37 7/8	38	38 1/8	38 1/4	38 1/2	38 5/8	38 3/4	38 7/8	39	39 1/8	39 1/4	39 1/2	39 5/8	39 3/4	39 7/8	40	40 1/8	40 1/4	40 1/2	40 5/8	40 3/4	40 7/8	41	41 1/8	41 1/4	41 1/2	41 5/8	41 3/4	41 7/8	42	42 1/8	42 1/4	42 1/2	42 5/8	42 3/4	42 7/8	43	43 1/8	43 1/4	43 1/2	43 5/8	43 3/4	43 7/8	44	44 1/8	44 1/4	44 1/2	44 5/8	44 3/4	44 7/8	45	45 1/8	45 1/4	45 1/2	45 5/8	45 3/4	45 7/8	46	46 1/8	46 1/4	46 1/2	46 5/8	46 3/4	46 7/8	47	47 1/8	47 1/4	47 1/2	47 5/8	47 3/4	47 7/8	48	48 1/8	48 1/4	48 1/2	48 5/8	48 3/4	48 7/8	49	49 1/8	49 1/4	49 1/2	49 5/8	49 3/4	49 7/8	50	50 1/8	50 1/4	50 1/2	50 5/8	50 3/4	50 7/8	51	51 1/8	51 1/4	51 1/2	51 5/8	51 3/4	51 7/8	52	52 1/8	52 1/4	52 1/2	52 5/8	52 3/4	52 7/8	53	53 1/8	53 1/4	53 1/2	53 5/8	53 3/4	53 7/8	54	54 1/8	54 1/4	54 1/2	54 5/8	54 3/4	54 7/8	55	55 1/8	55 1/4	55 1/2	55 5/8	55 3/4	55 7/8	56	56 1/8	56 1/4	56 1/2	56 5/8	56 3/4	56 7/8	57	57 1/8	57 1/4	57 1/2	57 5/8	57 3/4	57 7/8	58	58 1/8	58 1/4	58 1/2	58 5/8	58 3/4	58 7/8	59	59 1/8	59 1/4	59 1/2	59 5/8	59 3/4	59 7/8	60	60 1/8	60 1/4	60 1/2	60 5/8	60 3/4	60 7/8	61	61 1/8	61 1/4	61 1/2	61 5/8	61 3/4	61 7/8	62	62 1/8	62 1/4	62 1/2	62 5/8	62 3/4	62 7/8	63	63 1/8	63 1/4	63 1/2	63 5/8	63 3/4	63 7/8	64	64 1/8	64 1/4	64 1/2	64 5/8	64 3/4	64 7/8	65	65 1/8	65 1/4	65 1/2	65 5/8	65 3/4	65 7/8	66	66 1/8	66 1/4	66 1/2	66 5/8	66 3/4	66 7/8	67	67 1/8	67 1/4	67 1/2	67 5/8	67 3/4	67 7/8	68	68 1/8	68 1/4	68 1/2	68 5/8	68 3/4	68 7/8	69	69 1/8	69 1/4	69 1/2	69 5/8	69 3/4	69 7/8	70	70 1/8	70 1/4	70 1/2	70 5/8	70 3/4	70 7/8	71	71 1/8	71 1/4	71 1/2	71 5/8	71 3/4	71 7/8	72	72 1/8	72 1/4	72 1/2	72 5/8	72 3/4	72 7/8	73	73 1/8	73 1/4	73 1/2	73 5/8	73 3/4	73 7/8	74	74 1/8	74 1/4	74 1/2	74 5/8	74 3/4	74 7/8	75	75 1/8	75 1/4	75 1/2	75 5/8	75 3/4	75 7/8	76	76 1/8	76 1/4	76 1/2	76 5/8	76 3/4	76 7/8	77	77 1/8	77 1/4	77 1/2	77 5/8	77 3/4	77 7/8	78	78 1/8	78 1/4	78 1/2	78 5/8	78 3/4	78 7/8	79	79 1/8	79 1/4	79 1/2	79 5/8	79 3/4	79 7/8	80	80 1/8	80 1/4	80 1/2	80 5/8	80 3/4	80 7/8	81	81 1/8	81 1/4	81 1/2	81 5/8	81 3/4	81 7/8	82	82 1/8	82 1/4	82 1/2	82 5/8	82 3/4	82 7/8	83	83 1/8	83 1/4	83 1/2	83 5/8	83 3/4	83 7/8	84	84 1/8	84 1/4	84 1/2	84 5/8	84 3/4	84 7/8	85	85 1/8	85 1/4	85 1/2	85 5/8	85 3/4	85 7/8	86	86 1/8	86 1/4	86 1/2	86 5/8	86 3/4	86 7/8	87	87 1/8	87 1/4	87 1/2	87 5/8	87 3/4	87 7/8	88	88 1/8	88 1/4	88 1/2	88 5/8	88 3/4	88 7/8	89	89 1/8	89 1/4	89 1/2	89 5/8	89 3/4	89 7/8	90	90 1/8	90 1/4	90 1/2	90 5/8	90 3/4	90 7/8	91	91 1/8	91 1/4	91 1/2	91 5/8	91 3/4	91 7/8	92	92 1/8	92 1/4	92 1/2	92 5/8	92 3/4	92 7/8	93	93 1/8	93 1/4	93 1/2	93 5/8	93 3/4	93 7/8	94	94 1/8	94 1/4	94 1/2	94 5/8	94 3/4	94 7/8	95	95 1/8	95 1/4	95 1/2	95 5/8	95 3/4	95 7/8	96	96 1/8	96 1/4	96 1/2	96 5/8	96 3/4	96 7/8	97	97 1/8	97 1/4	97 1/2	97 5/8	97 3/4	97 7/8	98	98 1/8	98 1/4	98 1/2	98 5/8	98 3/4	98 7/8	99	99 1/8	99 1/4	99 1/2	99 5/8	99 3/4	99 7/8	100	100 1/8	100 1/4	100 1/2	100 5/8	100 3/4	100 7/8
------	-----	------	-------	-----	-----	------	-------	-------	-------	-------	-------	-------	-------	---	-------	-------	-------	-------	-------	-------	---	-------	-------	-------	-------	-------	---	-------	-------	-------	-------	-------	-------	---	-------	-------	-------	-------	-------	-------	---	-------	-------	-------	-------	-------	-------	---	-------	-------	-------	-------	-------	-------	---	-------	-------	-------	-------	-------	-------	---	-------	-------	-------	-------	-------	-------	----	--------	--------	--------	--------	--------	--------	----	--------	--------	--------	--------	--------	--------	----	--------	--------	--------	--------	--------	--------	----	--------	--------	--------	--------	--------	--------	----	--------	--------	--------	--------	--------	--------	----	--------	--------	--------	--------	--------	--------	----	--------	--------	--------	--------	--------	--------	----	--------	--------	--------	--------	--------	--------	----	--------	--------	--------	--------	--------	--------	----	--------	--------	--------	--------	--------	--------	----	--------	--------	--------	--------	--------	--------	----	--------	--------	--------	--------	--------	--------	----	--------	--------	--------	--------	--------	--------	----	--------	--------	--------	--------	--------	--------	----	--------	--------	--------	--------	--------	--------	----	--------	--------	--------	--------	--------	--------	----	--------	--------	--------	--------	--------	--------	----	--------	--------	--------	--------	--------	--------	----	--------	--------	--------	--------	--------	--------	----	--------	--------	--------	--------	--------	--------	----	--------	--------	--------	--------	--------	--------	----	--------	--------	--------	--------	--------	--------	----	--------	--------	--------	--------	--------	--------	----	--------	--------	--------	--------	--------	--------	----	--------	--------	--------	--------	--------	--------	----	--------	--------	--------	--------	--------	--------	----	--------	--------	--------	--------	--------	--------	----	--------	--------	--------	--------	--------	--------	----	--------	--------	--------	--------	--------	--------	----	--------	--------	--------	--------	--------	--------	----	--------	--------	--------	--------	--------	--------	----	--------	--------	--------	--------	--------	--------	----	--------	--------	--------	--------	--------	--------	----	--------	--------	--------	--------	--------	--------	----	--------	--------	--------	--------	--------	--------	----	--------	--------	--------	--------	--------	--------	----	--------	--------	--------	--------	--------	--------	----	--------	--------	--------	--------	--------	--------	----	--------	--------	--------	--------	--------	--------	----	--------	--------	--------	--------	--------	--------	----	--------	--------	--------	--------	--------	--------	----	--------	--------	--------	--------	--------	--------	----	--------	--------	--------	--------	--------	--------	----	--------	--------	--------	--------	--------	--------	----	--------	--------	--------	--------	--------	--------	----	--------	--------	--------	--------	--------	--------	----	--------	--------	--------	--------	--------	--------	----	--------	--------	--------	--------	--------	--------	----	--------	--------	--------	--------	--------	--------	----	--------	--------	--------	--------	--------	--------	----	--------	--------	--------	--------	--------	--------	----	--------	--------	--------	--------	--------	--------	----	--------	--------	--------	--------	--------	--------	----	--------	--------	--------	--------	--------	--------	----	--------	--------	--------	--------	--------	--------	----	--------	--------	--------	--------	--------	--------	----	--------	--------	--------	--------	--------	--------	----	--------	--------	--------	--------	--------	--------	----	--------	--------	--------	--------	--------	--------	----	--------	--------	--------	--------	--------	--------	----	--------	--------	--------	--------	--------	--------	----	--------	--------	--------	--------	--------	--------	----	--------	--------	--------	--------	--------	--------	----	--------	--------	--------	--------	--------	--------	----	--------	--------	--------	--------	--------	--------	----	--------	--------	--------	--------	--------	--------	----	--------	--------	--------	--------	--------	--------	----	--------	--------	--------	--------	--------	--------	----	--------	--------	--------	--------	--------	--------	----	--------	--------	--------	--------	--------	--------	----	--------	--------	--------	--------	--------	--------	----	--------	--------	--------	--------	--------	--------	----	--------	--------	--------	--------	--------	--------	----	--------	--------	--------	--------	--------	--------	----	--------	--------	--------	--------	--------	--------	----	--------	--------	--------	--------	--------	--------	----	--------	--------	--------	--------	--------	--------	----	--------	--------	--------	--------	--------	--------	----	--------	--------	--------	--------	--------	--------	----	--------	--------	--------	--------	--------	--------	----	--------	--------	--------	--------	--------	--------	----	--------	--------	--------	--------	--------	--------	----	--------	--------	--------	--------	--------	--------	----	--------	--------	--------	--------	--------	--------	----	--------	--------	--------	--------	--------	--------	----	--------	--------	--------	--------	--------	--------	----	--------	--------	--------	--------	--------	--------	----	--------	--------	--------	--------	--------	--------	----	--------	--------	--------	--------	--------	--------	----	--------	--------	--------	--------	--------	--------	-----	---------	---------	---------	---------	---------	---------