

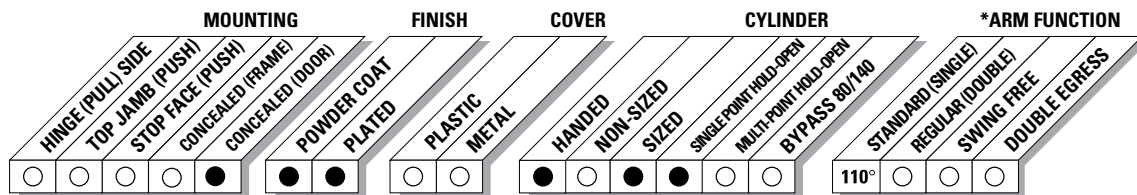


The 3130SE SENTRONIC® is a concealed in the door, closer/ holder designed to provide single point hold-open for fire and smoke barrier doors. Door is held open until current interruption releases the holding mechanism and the door closes. Single lever (track) arm closer is specifically designed for interior doors.

Certifications	Grade 1 - ANSI A156.15, UL/for metal smoke barrier or labeled door, ADA, Life Safety Code, NFPA 101, 100 Hour Salt Spray, Meets BAA - Buy American Act	Fasteners	Wood and machine screw pack
Body Construction	<ul style="list-style-type: none"> ■ Cast Iron Body ■ Full Complement Bearing ■ 1-1/8" Diameter Piston ■ 9/16" Diameter Double Heat Treated Pinion Journal 	Mounting	Concealed (in door) for interior smoke barrier and labeled doors
Fluid	All Weather Fluid	Arms	Standard, handed arm and non-handed track
Handing	Handed	Finishes/Colors/ Powder Coat	<ul style="list-style-type: none"> ■ Aluminum (689) ■ Statuary Bronze (690) ■ Light Bronze (691) ■ Black (693) ■ Dark Bronze (695) ■ Brass (696) ■ Custom colors optional
Size	Size 3 or 4, non-adjustable		<ul style="list-style-type: none"> ■ Optional SRI primer - powder coat only ■ Optional plated finishes
Warranty	2 years		

**Special
Templates**

Customized installation templates or products may be available to solve unusual applications. Contact LCN Product Support for assistance.



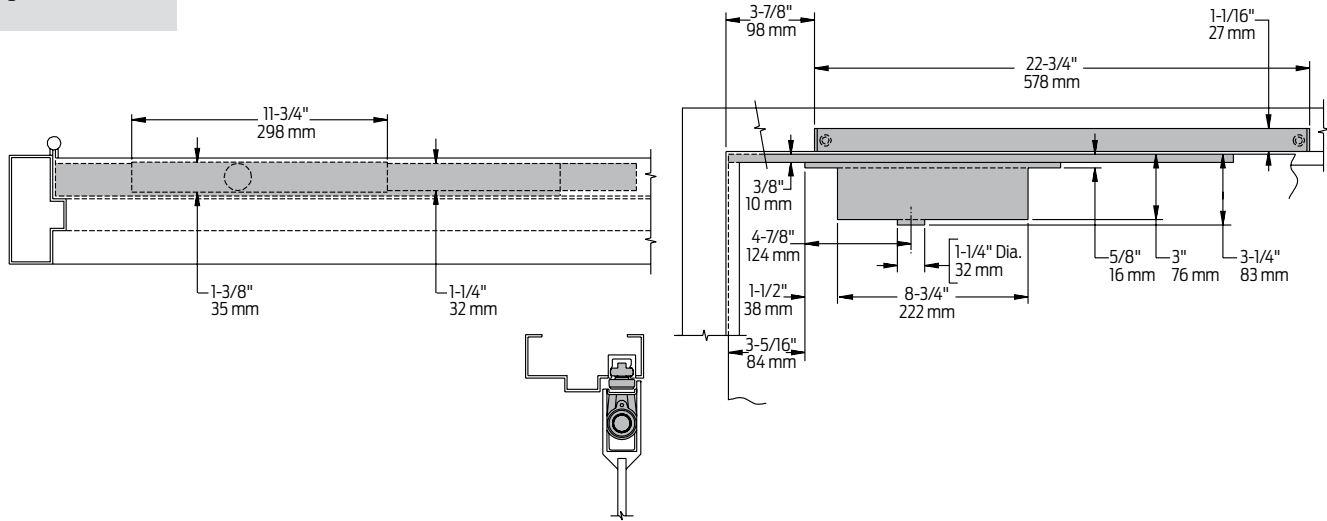
● AVAILABLE
○ NOT AVAILABLE

* Maximum opening/hold-open point with standard template. See individual closer series for degrees of opening per installation.

3130SE Series

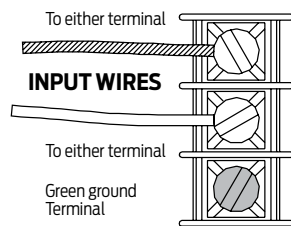
Mounting details

Concealed Mounting



Butt Hinges	<ul style="list-style-type: none"> Should not exceed 5" (127 mm) in width Consult factory for pivot hung installations
Auxiliary Stop	Recommended at hold-open point
Top Rail	Minimum 4" (102 mm)
Door Thickness	<ul style="list-style-type: none"> 1-3/4" (44 mm) minimum Please consult the door manufacturer to assure that the door integrity and warranty is maintained after installing the 3130SE Series door closer in 1-3/4" (44 mm) thickness wood doors
Door Width	<ul style="list-style-type: none"> 2' 4" (711 mm) minimum for single door with SE 2' 8" (813 mm) minimum for door with SEL
Maximum Opening	<ul style="list-style-type: none"> Templating allows 110° Hold-open points between 85° and 110° in approximately 3° increments SEL arm and track locate hold-open at 110°, 120° and 130°
SE, SEL Electrical Options	<ul style="list-style-type: none"> These track assemblies require a single power circuit for the holding solenoid SE or SEL holding solenoid is either 24V or 120V input, please specify An optional 4040SE-3210 or 8310-824 TRANSFORMER reduces 120V AC line voltage to 24V AC Circuitry accepts either AC or DC input
Options	<ul style="list-style-type: none"> Long (SEL) track and arm 24V or 120V input, please specify

SE Wiring Diagram



- For interior smoke barrier and labeled fire doors
- Functions as full rack and pinion door closer when hold-open is not engaged or current is interrupted
- Interfaces with fire alarm system

Cylinder



3130SE-3071
SE Cylinder Assembly

- Handed
- Cast iron
- For various applications see "Table of Sizes" on 3130SE Series page 16
- Standard

Arms



3130SE-3077T
Standard Arm

- Handed
- Adjustable to select hold-open point
- Standard



3130SEL-3077T
Long Arm

- Handed
- Provides hold-open point from 110° to 130°, determined by track templating
- Used with SEL TRACK 3130SEL-3038 only
- Optional

Tracks



3130SE-3038
SE Track

- Non-handed
- Circuitry accepts either AC or DC input
- 24V holding solenoid (24) or 120V holding solenoid (120), please specify
- Standard



3130SEL-3038
SEL Long Track

- Non-handed
- Used with LONG ARM, 3130SEL-3077T, only
- Provides hold open point from 110° to 130°, determined by templating. Circuitry accepts either AC or DC input
- 24V holding solenoid (24) or 120V holding solenoid (120), please specify
- Optional

Installation Accessories



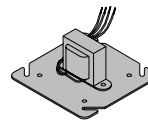
3130SE-81
Conduit Quick-Connector

- Two piece connector for use with 1/2" conduit
- See page 21 for illustration



3130SE-3034SE
Track Roller & Track Slider

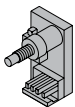
- Quiet, low friction roller assembly
- Shoulder dimension "X" = 1/8" (3 mm)
- Alloy metal slider for use in SE series tracks only



4040SE-3210
Transformer

- Reduces line voltage from 120V to 24V AC
- Mounted on plate for 4" (102 mm) x 4" x 2-1/8" (54 mm) junction box (by others)

Switch



3130SE-3436
Test Switch

3130SE Series

Ordering Information

How-to-order 3130SE Series closers

Select cylinder size

- 3133SE
- 3134SE

Select hand

- RH
- LH

Voltage

- 24V AC/DC
- 120V AC/DC

Specify finish

- Standard Powder Coat _____
Aluminum, Dark Bronze, Statuary, Light Bronze, Black, Brass

Closer will be shipped with:

- Standard arm
- Track roller and slider
- Standard track
- Wood & machine screw pack
unless options listed below are selected.

Closer options

Arm

- Long Arm* (LONG)
- * use with SEL track only

Finishes

- Custom Powder Coat (RAL) _____
- Plated Finish, US _____

Installation accessories

- Transformer, 4040SE-3210

Screw pack

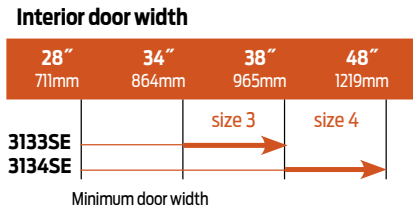
- TORX Machine Screw (TORX)

Special template

- ST- _____

Table of sizes

- Select closer based on width of door
- Sized 3130SE series cylinders available in size 3 or 4
- Closing power of all 3130SE Series closers is not adjustable



→ Indicates recommended range of door width for closer size.

NOTE: For SE, minimum door width 28" (711mm)
For SEL, minimum door width 32" (813mm)