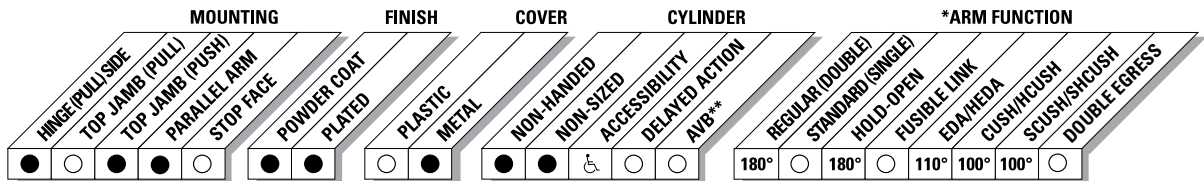


The 4030 is a cast iron, universal closer designed specifically for doors in moderate traffic conditions. This versatile closer compliments the rest of the heavy duty 4000 Series and offers the choice of three mountings and multiple arm options.

Certifications	Grade 1 - ANSI A156.4, UL 10C, ADA, 100 Hour Salt Spray, Meets BAA - Buy American Act	Cover	Metal, Standard
Body Construction	<ul style="list-style-type: none"> ■ Cast Iron Body ■ Full Complement Bearing ■ 1-1/8" Diameter Piston ■ 1/2" Diameter Single Heat Treated Pinion Journal 	Fasteners	Self Reaming and Tapping Screws (SRT)
Fluid	All Weather Fluid	Mounting	Hinge (Pull Side), Top Jamb (Push Side), Parallel Arm (Push Side)
Handing	Non-Handed	Arms	Regular arm
Templating	Peel-n-Stick templates - 1-23/32" x 6-17/16" Mounting Hole Pattern	Finishes/Colors/ Powder Coat	<ul style="list-style-type: none"> ■ Aluminum (689) ■ Statuary Bronze (690) ■ Light Bronze (691) ■ Black (693) ■ Dark Bronze (695) ■ Brass (696) ■ Custom colors optional
Size	Adjustable Spring Size 1-4		<ul style="list-style-type: none"> ■ Optional SRI primer - powder coat only ■ Optional plated finishes
Warranty	30 years		

Special Templates

Customized installation templates or products may be available to solve unusual applications. Contact LCN Product Support for assistance.



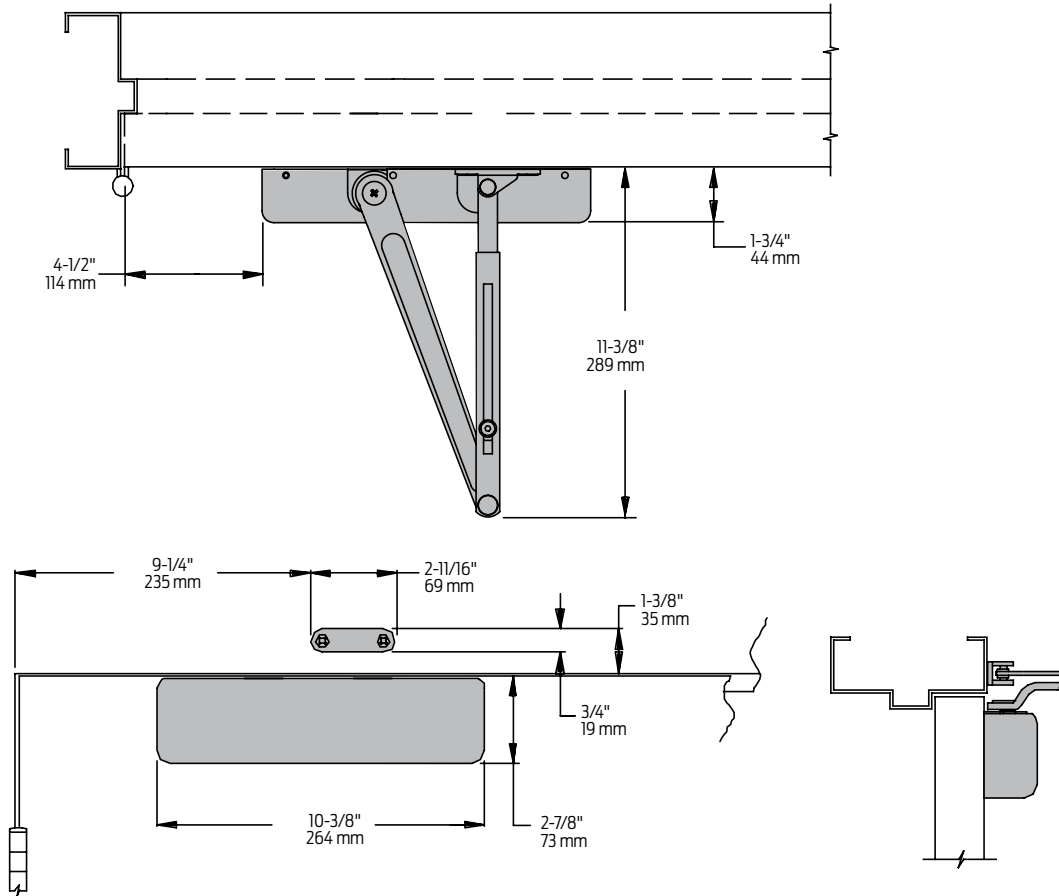
● AVAILABLE
○ NOT AVAILABLE

♿ Closer available with less than 5.0 lbs. opening force on 36" door.
* Maximum opening/hold-open point with standard template. See individual closer series for degrees of opening per installation.
** Advanced Variable Backcheck

4030 Series

Mounting details

Hinge (Pull) Side Mounting

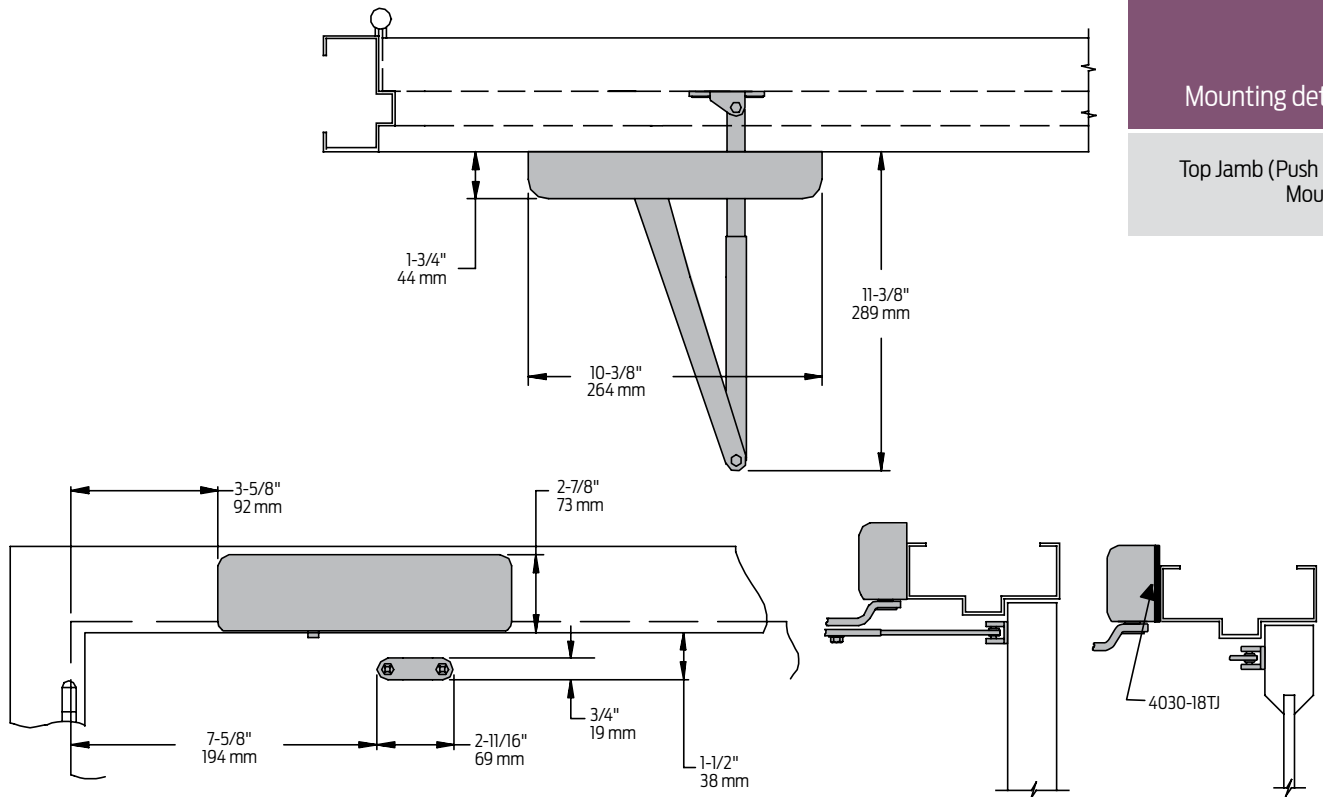


Butt Hinges	Should not exceed 5" (127 mm) in width
Auxiliary Stop	Recommended at hold-open point or where a door cannot swing 180°
Reveal	Should not exceed 3/16" (5 mm) for regular arm or 3/16" (5 mm) for hold-open arm
Top Rail	Requires 2-7/8" (73 mm) minimum
Clearance	1-3/4" (44 mm), behind door required for installation
Maximum Opening	<ul style="list-style-type: none"> ■ Can be templated for 180° ■ Hold-open points up to maximum opening with hold-open arm

4030 Series

Mounting details

Top Jamb (Push Side) Mounting



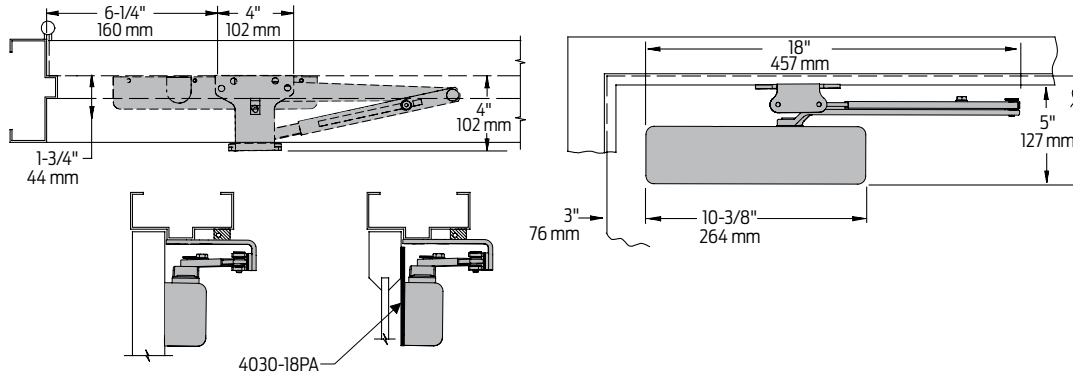
Butt Hinges	Should not exceed 5" (127 mm) in width
Auxiliary Stop	Recommended at hold-open point or where the door cannot swing 180°
Reveal	<ul style="list-style-type: none"> ■ up to 3-1/2" (89 mm) allows 180° opening ■ up to 7-1/2" (191 mm) with long arm allows for 140° opening
Top Rail	Requires 1-1/2" (38 mm) minimum from stop
Head Frame	<ul style="list-style-type: none"> ■ Less than 2-1/4" (57 mm) requires PLATE, 4030-18TJ ■ Plate requires 1-1/2" (38 mm) minimum
Maximum Opening	<ul style="list-style-type: none"> ■ Can be templated for 180° ■ Hold-open points up to maximum opening with hold-open arm

4030 Series

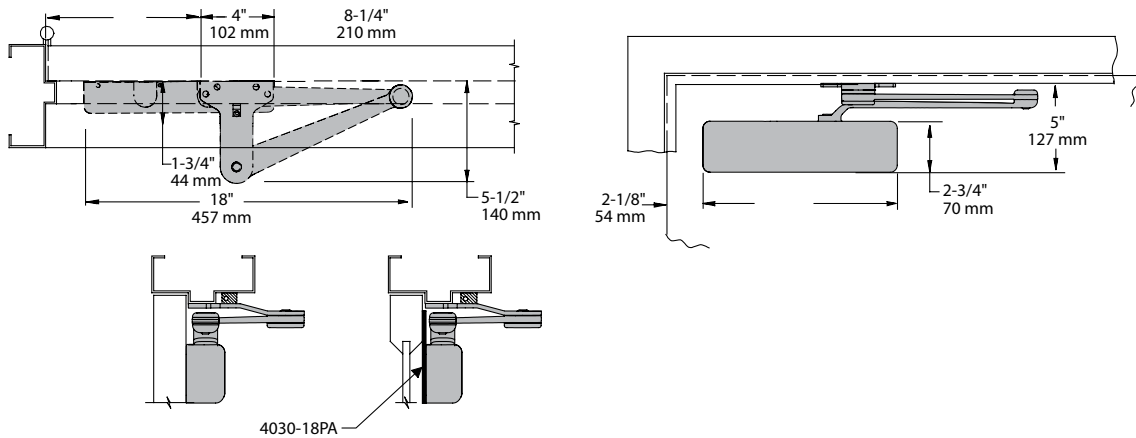
Mounting details

Parallel arm (Push Side) and EDA mounting

Parallel arm mount



EDA mount



Butt Hinges	Should not exceed 5" (127 mm) in width
Auxiliary Stop	Recommended at hold-open point or where a door cannot swing maximum opening
Clearance	<ul style="list-style-type: none"> For 4030-62PA shoe is 4" (102 mm) from door face EDA arm is 5-1/2" (140 mm) from door face
Top Rail	<ul style="list-style-type: none"> Less than 5" (127 mm) measured from the stop requires PLATE, 4030-18PA Plate requires 1-3/4" (44 mm) minimum
Stop Width	Minimum 1" (25 mm)
Head Frame	Flush or single rabbeted requires PA SHOE ADAPTER, 4030-419
Blade Stop	Clearance, requires 1/2" (13 mm) BLADE STOP SPACER, 4030-61
Auxiliary Shoe	<ul style="list-style-type: none"> 4030-62A allows installation of regular arm with overhead holder/stop Special templating required
EDA Arm	Requires SHOE SUPPORT, 4030-30 for fifth screw anchorage where reveal is less than 3-1/16" (78 mm)
Maximum Opening	<ul style="list-style-type: none"> REGULAR or HOLD-OPEN arms can be templated for 180° EDA template allows 110° maximum opening Hold-open points up to maximum opening with hold-open arm

Notes:

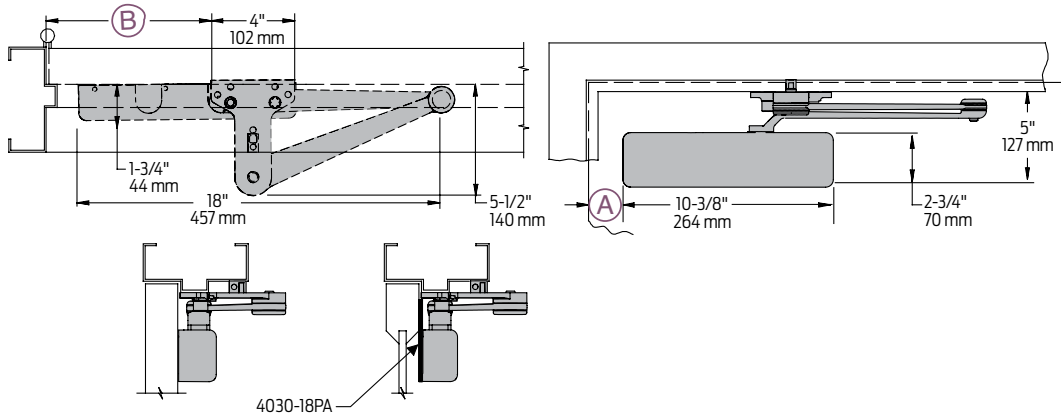
- 4030 closers ordered with EDA arms include 4030-201 FIFTH HOLE SPACER to support the shoe
- REGULAR or HOLD-OPEN arm mounting requires PA SHOE, 4030-62PA for regular or HOLD-OPEN arms. Add prefix "P" to closer description (eg. P4031).
- P4031 closer includes 4030-201 FIFTH HOLE SPACER to support PA SHOE

4030 Series

Mounting details

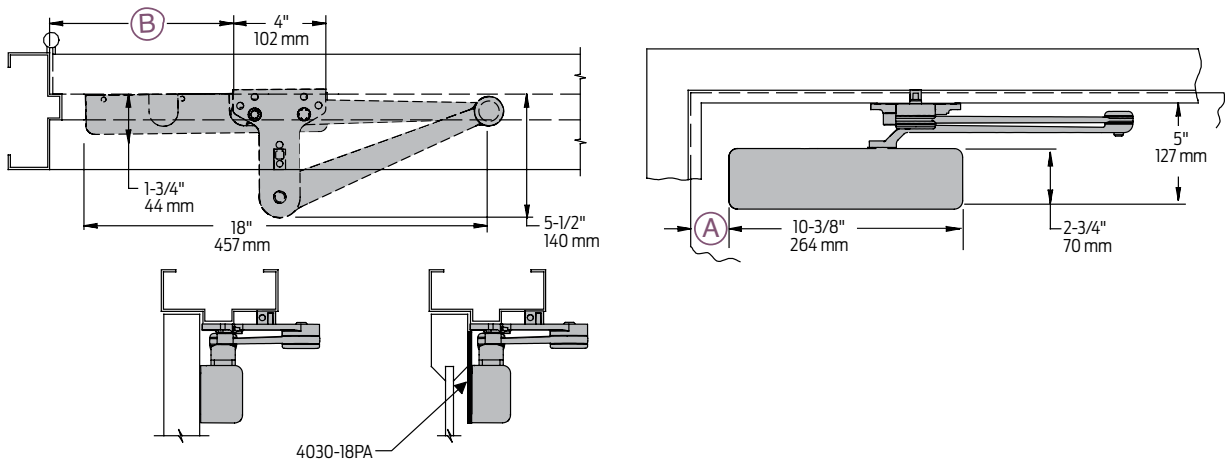
CUSH and Spring CUSH Mounting

CUSH mount



Spring CUSH mount

Spring Cush dead stop points are approximately 5° greater than templated stop point.



Clearance	For CUSH or SPRING CUSH shoe is 5-1/2" (140 mm) from door face		
Head Frame	Flush or rabbeted requires CUSH FLUSH PANEL ADAPTER, 4030-419		
CUSH or Spring CUSH ARM	Requires SHOE SUPPORT, 4030-30 for fifth screw anchorage where reveal is less than 3-1/16" (78 mm)		
Maximum opening	CUSH and SPRING CUSH arms can be templated for maximum opening/hold-open point at:		
	85°: A = 3-5/8 (92 mm) B = 9-3/4" (248 mm)	90°: A = 3" (76 mm) B = 9-1/8" (232 mm)	100°*: A = 1-7/8" (48 mm) B = 8" (203 mm)

*100° mounting will not work with swing clear hinges.

Note:

• 4031 closers ordered with CUSH or SPRING CUSH arms include 4030-201 FIFTH HOLE SPACER to support the shoe

4030 Series

Accessories

Cylinders



4031-3071
Cast Iron Cylinder Assembly

- Non-handed
- Standard

Covers



4030-72MC
Metal Cover

- Non-handed
- Standard

Installation Accessories



4030-18TJ
Plate

- Required for top jamb mounting where head frame is less than 2-1/4" (57 mm) or flush ceiling condition exists
- Requires 1-1/2" (38 mm) minimum



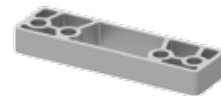
4030-18PA
Plate

- Required for parallel arm mounting where top rail is less than 5" (127 mm), measured from the stop
- Requires 1-3/4" (44 mm) minimum



4030-30
CUSH Shoe Support

- Provide anchorage for fifth screw used with CUSH arms where reveal is less than 3-1/16" (78 mm)



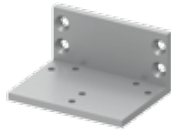
4030-61
Blade Stop Spacer

- Lowers parallel arm shoe to clear 1/2" (13 mm) blade stop



4030-62A
Auxiliary Shoe

- Requires a top rail of 7" (178 mm)
- Replaces -62PA for parallel arm mounting of regular arm with some overhead holder/stop
- Optional



4030-419
PA Flush Panel Adapter

- Provides horizontal mounting surface for PA or CUSH shoe on single rabbetted or flush frame



4030-62PA
PA Shoe

- Required for parallel arm mounting

Arms

4030 Series

Accessories



4030-3077
Regular Arm

- Non-handed
- Mounts hinge side or top jamb
- P4031 closer includes PA SHOE, 4030-62PA is required for parallel arm mounting



4030-3077LD
Light Duty Arm

- Non-handed
- Mounts hinge side, top jamb or parallel arm (62PA required)
- Optional



4030-3077L
Long Arm

- Non-handed
- Includes LONG ROD AND SHOE, 4030-79LR for top jamb mount with deep reveals
- Optional



4030-3049
Hold-Open Arm

- Non-handed
- Mounts hinge side, top jamb or parallel arm (62PA required)
- Hold-open adjustable at shoe
- Optional



4030-3049L
Long Hold-Open Arm

- Non-handed
- Includes LONG HEAD AND TUBE, 4030-3048L for top jamb mount with deep reveals
- Optional



4030-3077EDA
Extra Duty Arm

- Non-handed
- Extra duty arm features solid forged steel main and forearm for potentially abusive installations
- Optional



4030-3049EDA
Hold-Open EDA Arm

- Handed
- Arm, provides hold-open function adjustable at shoe
- Optional



4030-3077CNS
Cush-n-Stop® Arm

- Non-handed
- Solid forged steel main arm and forearm with stop in soffit shoe
- Optional



4030-3049CNS
Hold-Open CUSH Arm

- Non-handed
- Provides hold-open function with templated stop/hold-open points
- Handle controls hold-open function
- Optional



4030-3077SCNS
Spring CUSH Arm

- Non-handed
- For abusive applications
- Features solid forged steel main arm and forearm with spring loaded stop in the soffit shoe
- Optional



4030-3049SCNS
Spring HCUSH Arm

- Non-handed
- For abusive applications
- Features solid forged steel main arm and forearm with spring loaded stop in the soffit shoe
- Handle controls hold-open function
- Optional

4030 Series

Ordering Information

How-to-order 4030 Series closers

1. Select finish

- Standard Powder Coat _____
Aluminum, Dark Bronze, Statuary,
Light Bronze, Black, Brass.

Closer options

Finish

- Custom Powder Coat (RAL) _____
- Plated Finish, US _____
- SRI primer (use with powder coat finishes only)

Arm

- Regular w/62PA (Rw/PA)
- Regular w/62A (R/62A)
- Long (LONG)
- Hold-Open (H)
- Hold-Open w/62PA (Hw/PA)
- Long Hold-Open (HLONG)
- Light Duty (LD)
- Light Duty w/62A (LD/62A)
- Light Duty w/62PA (LD/PA)
- Light Duty Long (LDL)
- EDA
- HEDA (specify right or left hand)
- Cush-N-Stop (CUSH)
- HCush-N-Stop (HCUSH)
- Spring Cush (SCUSH)
- Spring HCush (SHCUSH)

Closer will be shipped with:

- Standard cylinder
- Standard metal cover
- Regular arm
- Wood and self-tapping machine screw pack unless options listed below are selected.

Optional Screw Packs

- TB*, Wood & Machine Screw (TBWMS)
* Specify door thickness if other than 1-3/4".

Installation Accessories

- Plate, 4030-18TJ
- Plate, 4030-18PA
- CUSH Shoe Support, 4030-30
- Blade Stop Spacer, 4030-61
- Auxiliary Shoe, 4030-62A
- PA Flush Panel Adapter, 4030-419

Special Template

- ST- _____

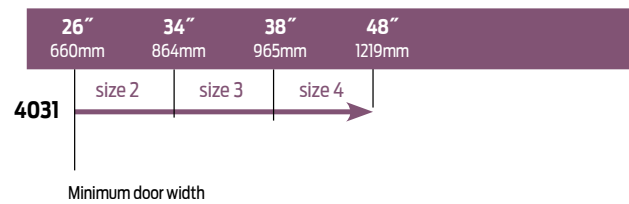
Table of sizes

- Non-sized 4031 cylinder is adjustable from sizes 1 to 4 and is shipped set to size 3.

Exterior (and Vestibule) door width



Interior door width




→ Indicates recommended range of door width for closer size.

Reduced opening force 4030 Series closers

CAUTION ! Any manual door closer, including those certified by BHMA to conform to ANSI Standard A156.4, that is selected, installed and adjusted based on ADA or other reduced opening force requirements may not provide sufficient power to reliably close and latch a door.

Refer to AUTOMATIC OPERATORS section for information on systems that meet reduced opening force requirements without effecting closing power.

	DOOR WIDTH	36"	42"	48"
	8.5* lbs.	4031	4031	4031
5.0* lbs.	4031	4031	4031	

* Maximum opening force.