

Norton®

Tri-Style 1600 Series

Non Handed Door Closer

Installation Instructions

80-9316-2502-020 (12-02)

Non Hold Open Models

Sized
(Sizes 2,3,4,5,6)

Adjustable
(Sizes 3 thru 6)

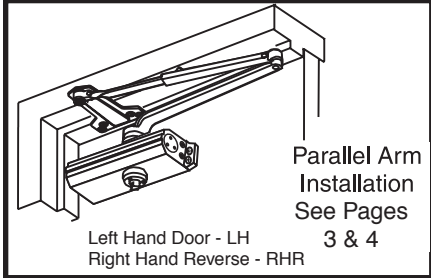
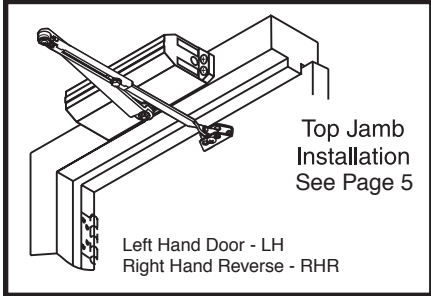
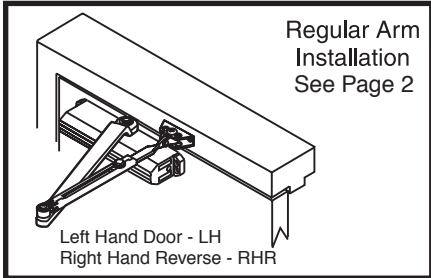
Weaker
↓
Stronger
+

1602BC
1603BC
1604BC
1605BC
1606BC

1601
(Sizes 1 thru 4)
1601BF



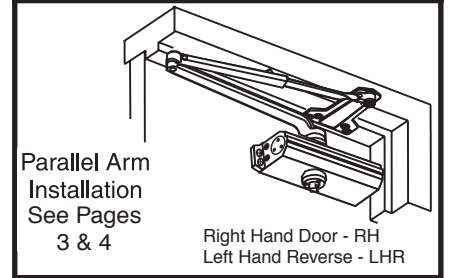
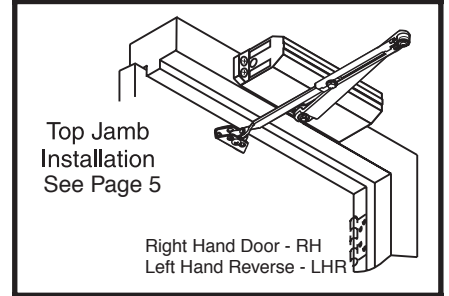
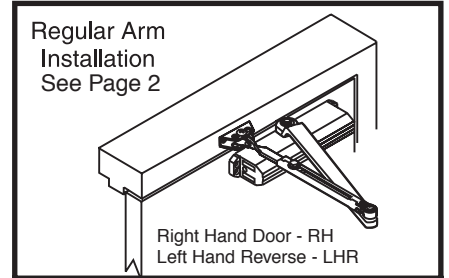
CAUTION An Incorrectly installed or improperly adjusted door closer can cause property damage or personal injury. These installation instructions should be followed to avoid the possibility of misapplication or misadjustment. **CAUTION**



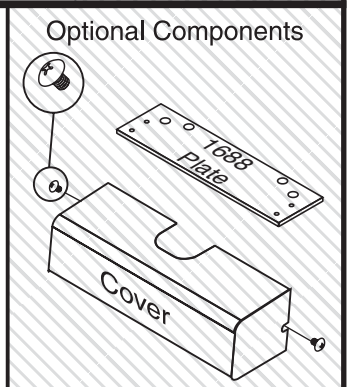
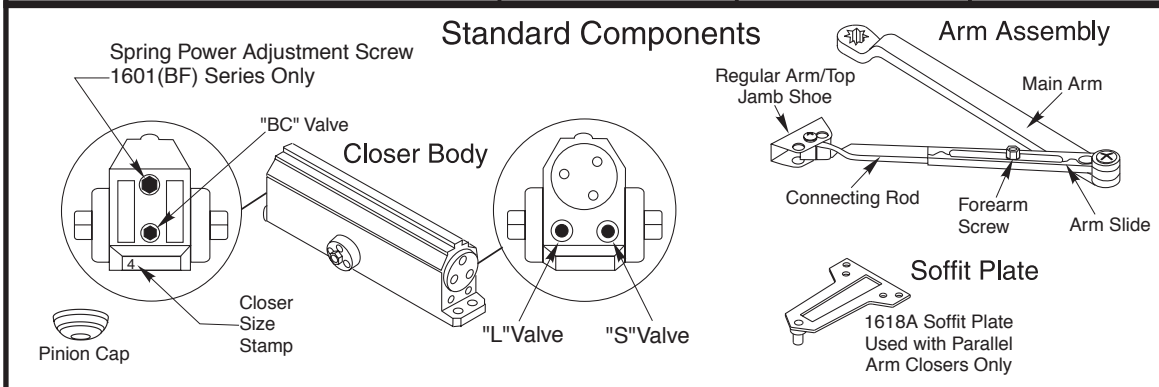
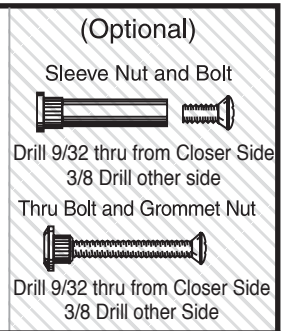
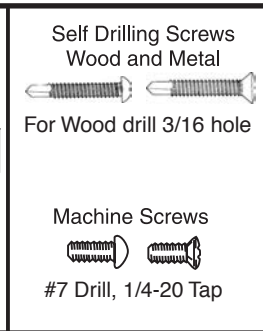
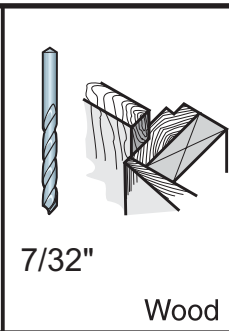
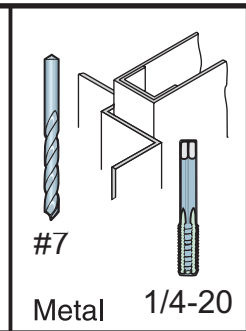
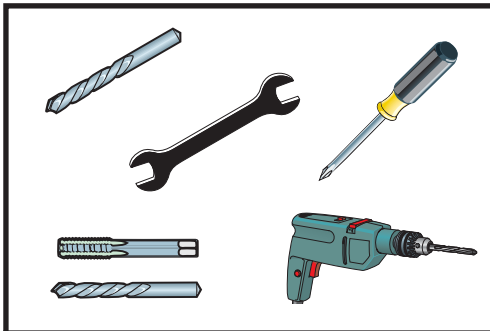
"DA" suffix (Delayed Action) is an optional feature. A separate sheet is supplied showing closer adjustments.

NOTE: For special applications a separate door and frame preparation template is packed with these instructions. Use this instruction sheet for installation sequence and closer adjustments only.

- Doors should be hung on ball bearing or anti-friction hinges.
- A separate door stop is recommended.
- Door and frame must be properly reinforced.
- Adjust closing time speed between 3 and 7 seconds from 90° to 0°.



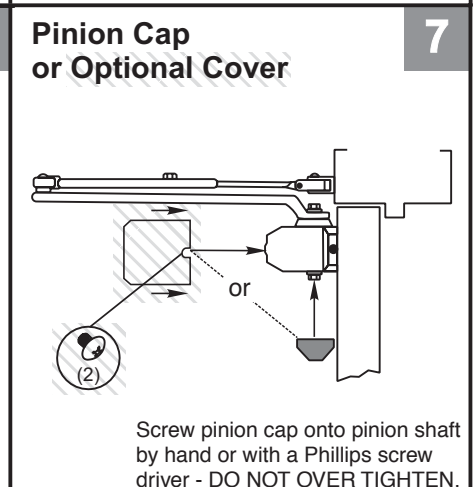
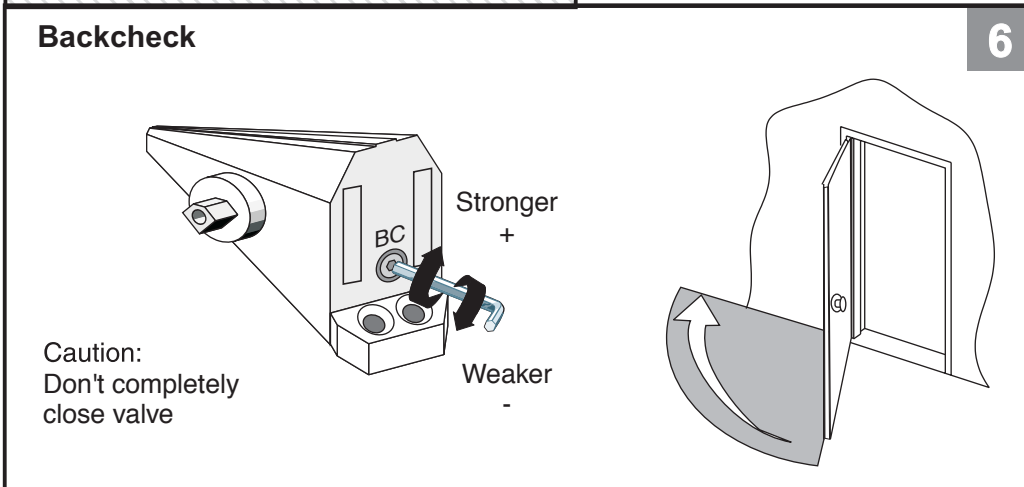
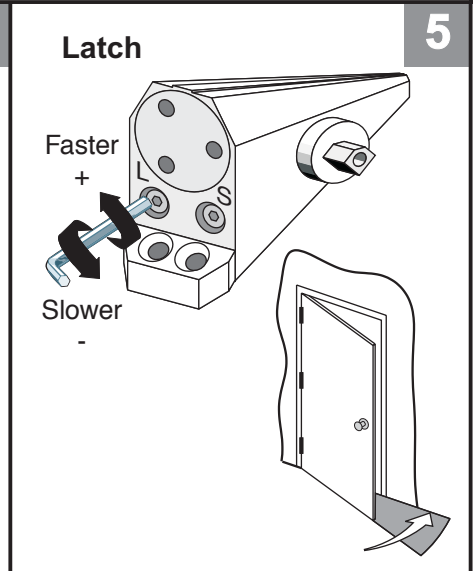
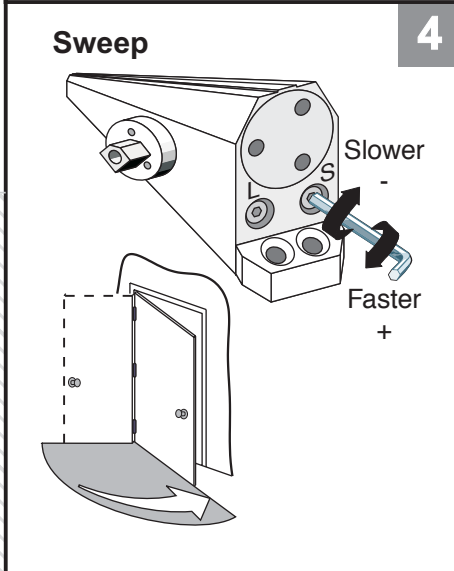
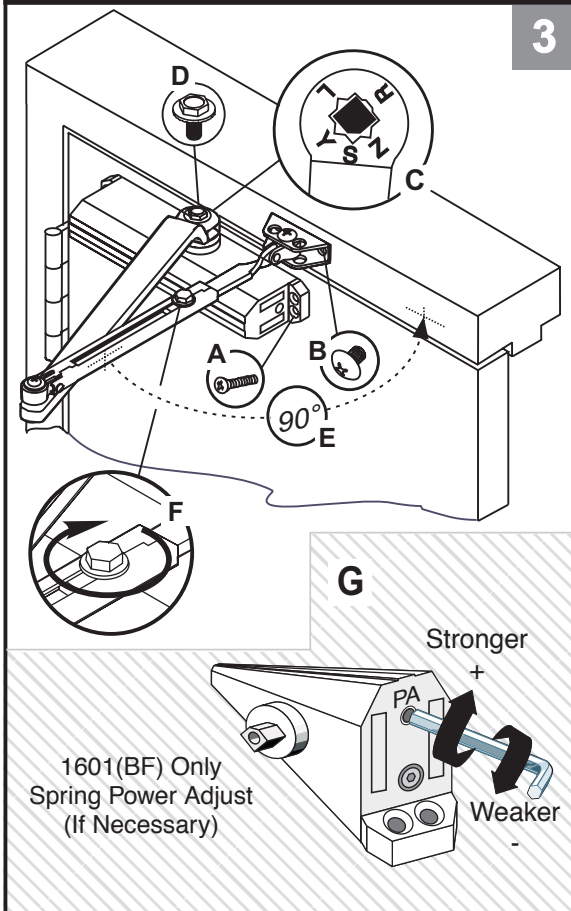
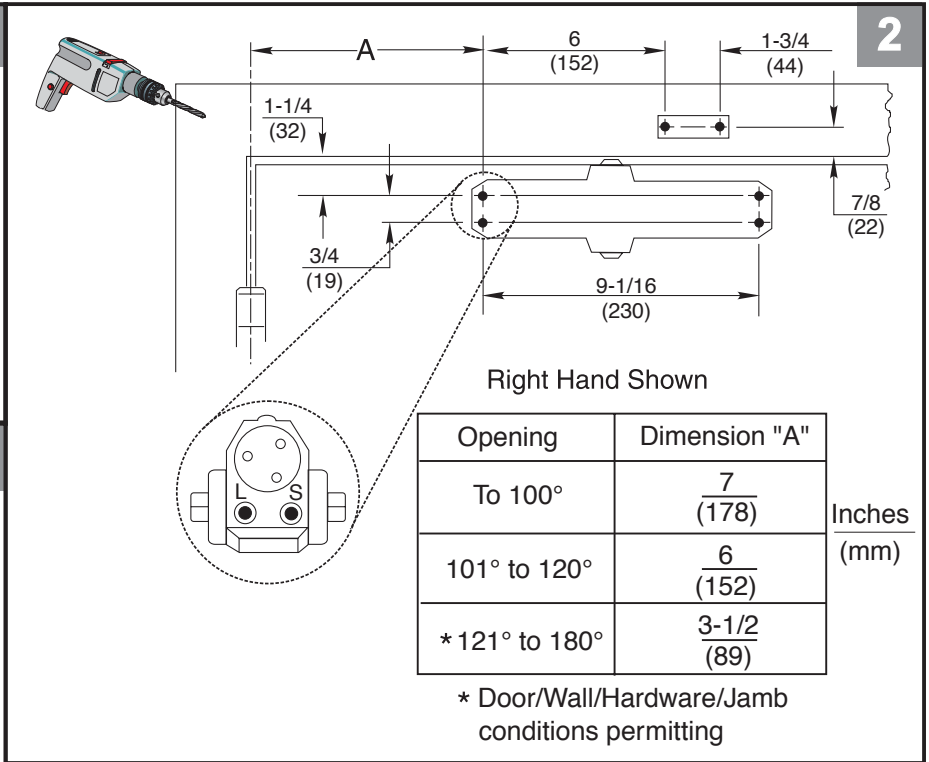
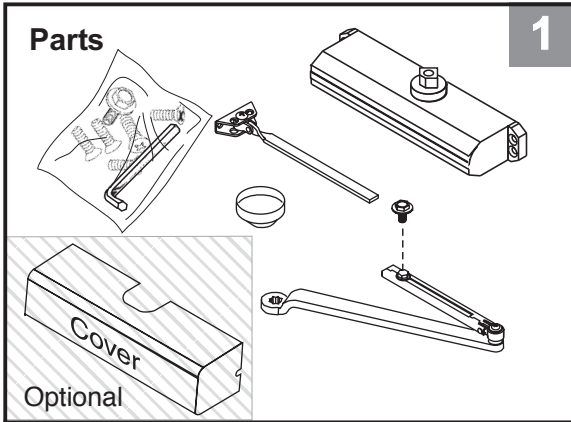
- These door closers should NOT be installed on the exposed side (weather side) of exterior doors.



1600 Series

Non Hold Open Door Closers — Regular Arm

80-9316-2502-020 (12-02)



1600 Series

Non Hold Open Door Closers — Parallel Arm

80-9316-2502-020 (12-02)

1 Parts

Optional Cover

Optional 1688 Plate

2

Right Hand Shown

Inches (mm)

2-3/4 (70)

3/8 (10)

A

2 (50)

7/16 (11)

1/2 (13)

7 (178)

4 (102)

1-1/2 (38)

C

Top of Door

2-1/8 (54)

1/2 (13)

Frame

3-1/4 (83)

3/4 (19)

9-1/16 (230)

Holes for 1688 Plate only

Door Opening	A	B	C
To 100°	9-1/4 (235)	7-5/8 (194)	8-5/8 (219)
101° to 130°	7-3/4 (197)	6-1/8 (156)	7-1/8 (181)
* 131° to 180°	5-3/4 (146)	4-1/8 (105)	5-1/8 (130)

* Door/Wall/Hardware/Jamb conditions permitting

3 Close Valves

Sweep Slower

Latch

Slower

4

5

Place Arm on Spindle

Rotate

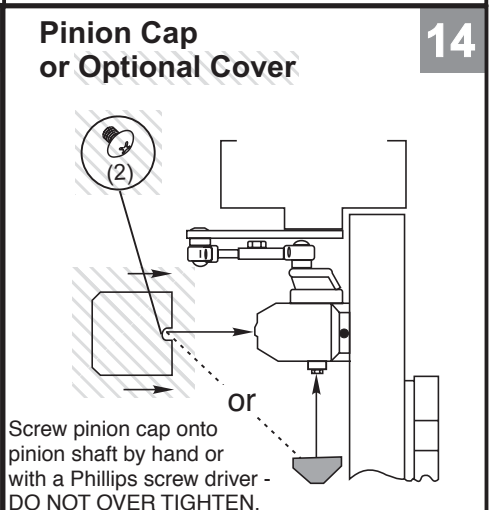
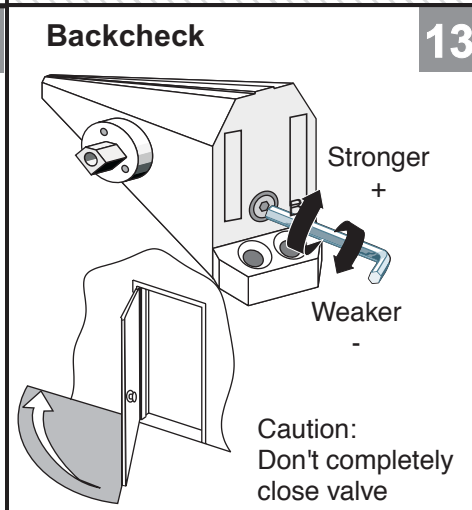
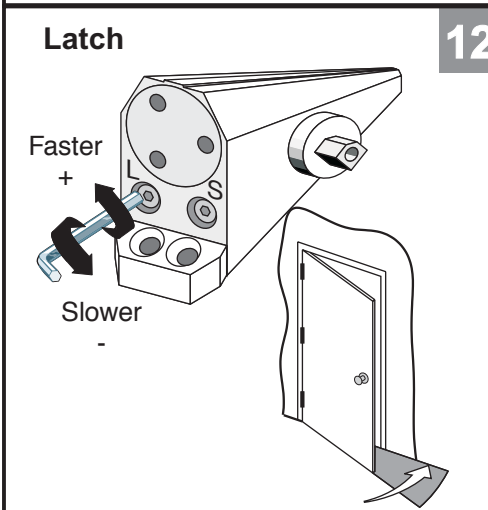
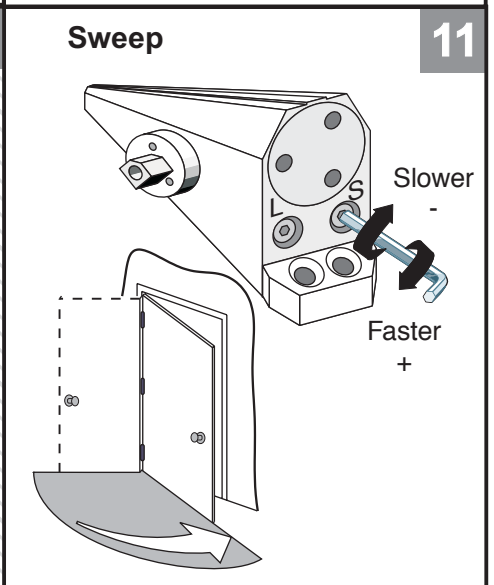
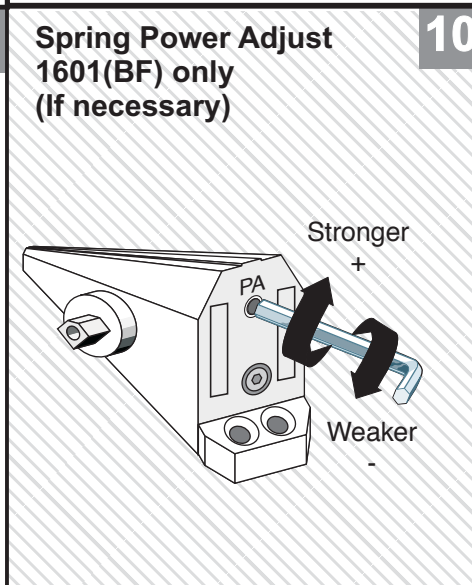
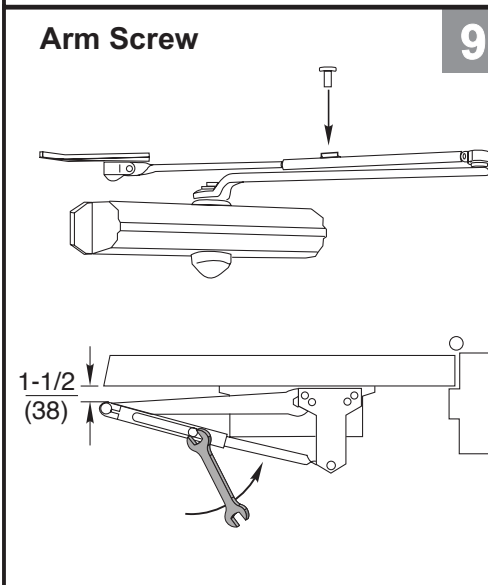
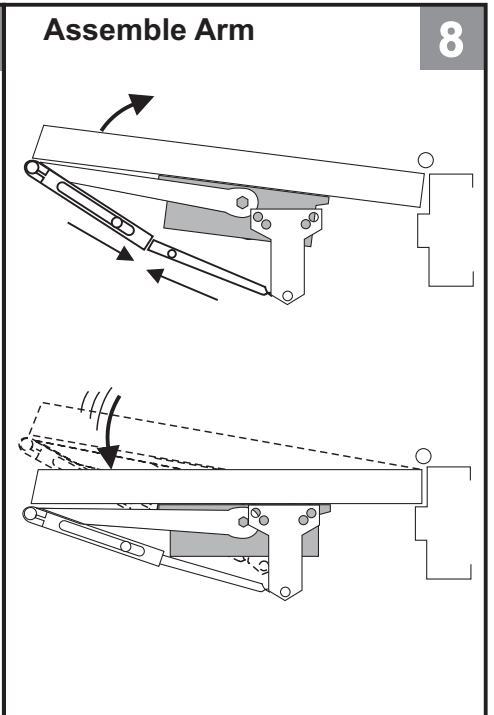
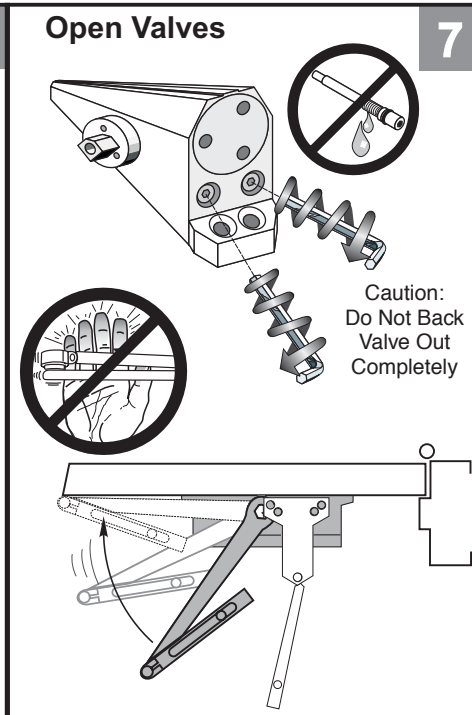
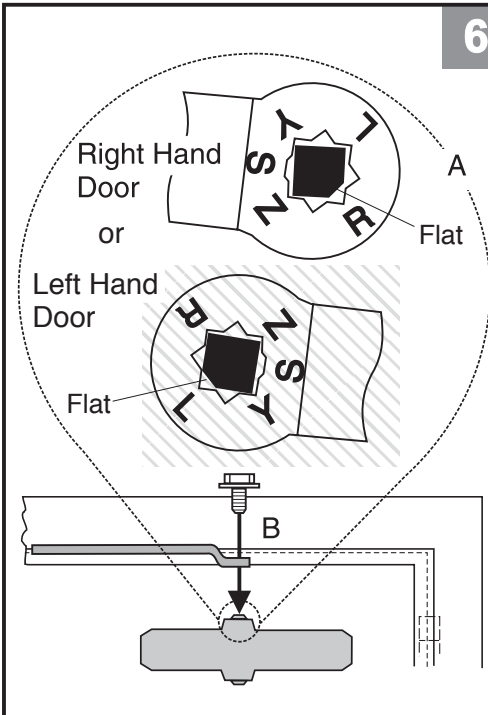
Remove Arm from Spindle

See Step 6 on Page 4

1600 Series

Non Hold Open Door Closers — Parallel Arm

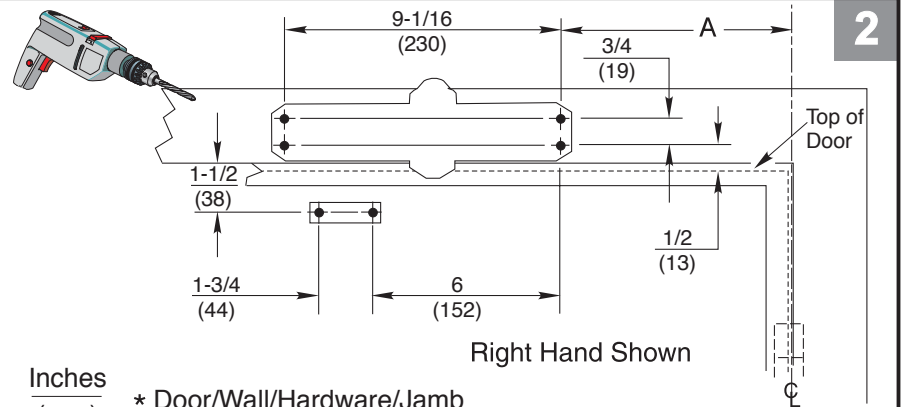
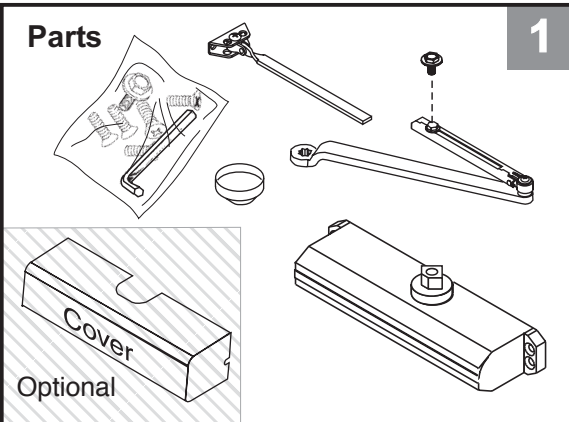
80-9316-2502-020 (12-02)



1600 Series

Non Hold Open Door Closers — Top Jamb Arm

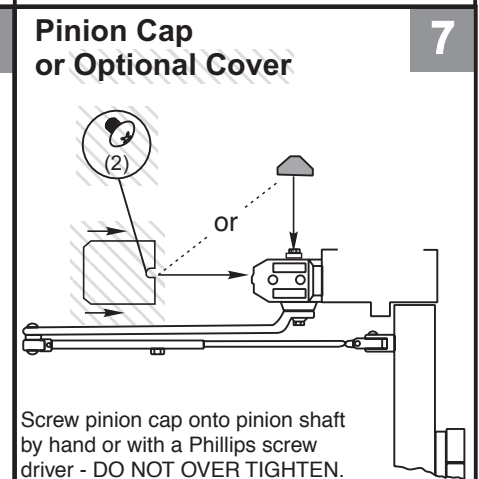
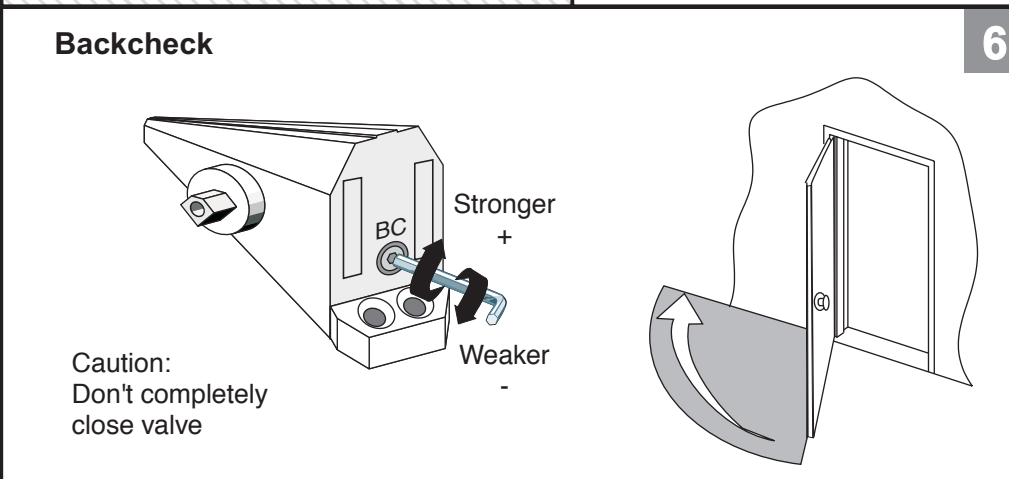
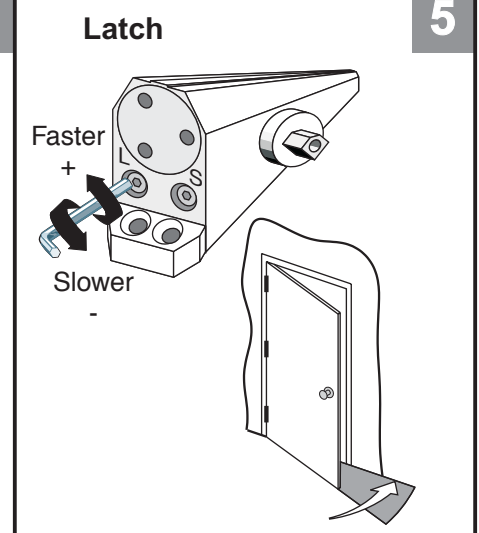
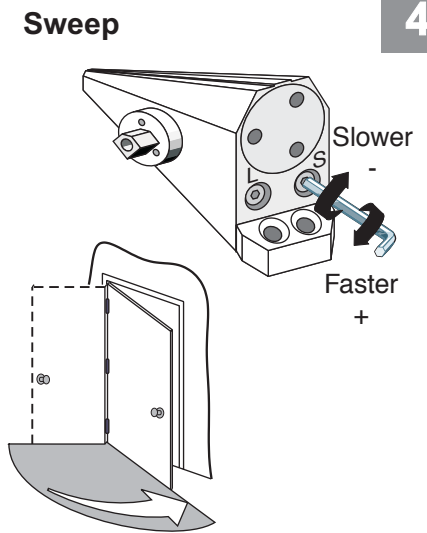
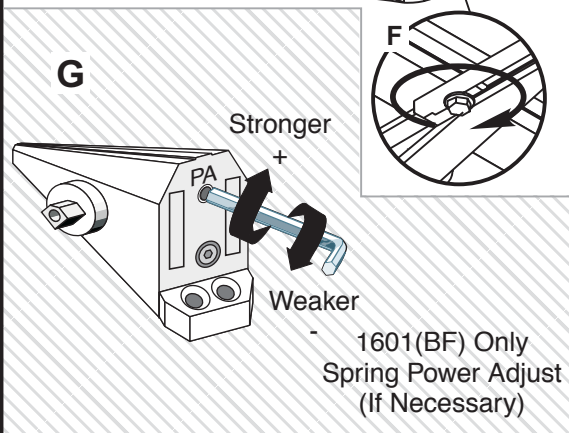
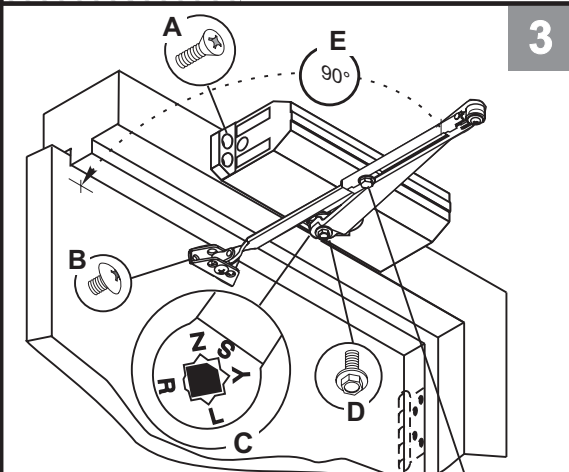
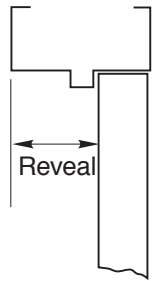
80-9316-2502-020 (12-02)



Inches (mm) * Door/Wall/Hardware/Jamb conditions permitting

Opening	Dimension "A"
To 100°	7-1/2 (191)
101° to 120°	6 (152)
*121° to 180°	3-1/2 (89)

A longer connecting rod is required for reveals greater than 3" (76)



1600 Series Adjustments Page

80-9316-2502-020 (12-02)

Sweep

Latch

(Use 1/8" Hex Wrench for these Adjustments)

Backcheck

Spring Power Adjust 1601 (BF) only

(Use 1/8" Hex Wrench for this Adjustment)

Adjustment Chart				Number of Turns Required MAXIMUM DOOR SIZE					
	DOOR	TYPE OF INST.	*	34"	36"	40"	44"	48"	
				(0.85M)	(0.90M)	(1.00M)	(1.10M)	(1.20M)	
1601BF	INTERIOR	Regular Arm Top Jamb	FULL 360° TURNS OF 1/8" POWER ADJUSTMENT WRENCH	1	1	2	3	3	
		Parallel Arm		2	2	3	4	5	
	EXTERIOR	Regular Arm Top Jamb		5	6	8	NOT RECOMMENDED USE 1601		
		Parallel Arm		8	9	12			
1601	INTERIOR	Regular Arm Top Jamb		FULL 360° TURNS OF 1/8" POWER ADJUSTMENT WRENCH	2	4	6	9	11
		Parallel Arm			3	5	7	10	13
	EXTERIOR	Regular Arm Top Jamb			3	5	7	10	13
		Parallel Arm			5	7	10	14	16

*18 FULL (360°) TURNS MAXIMUM AVAILABLE
 = 8 Turns As Shipped

To identify your model:

2=1602BC	3-6=1601
3=1603BC	1-4=1601BF
4=1604BC	
5=1605BC	
6=1606BC	

Arm Placement in Shoe