

Non Hold Open Door Closers

CAUTION An incorrectly installed or improperly adjusted door closer can cause property damage or personal injury. These instructions should be followed to avoid the possibility of misapplication or misadjustment.

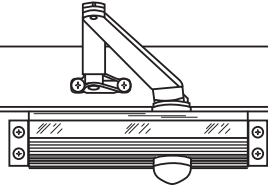
With or without prefix "J"
with or without suffix "BC" or "COV"

Select application from illustrations below... Proceed to page shown.

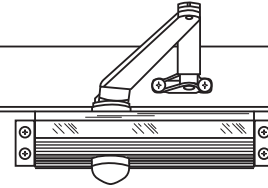
Regular Arm Installation

Closer on hinge (pull) side of door.

See Page 2



Left Hand Door – LH
Right Hand Reverse – RHR

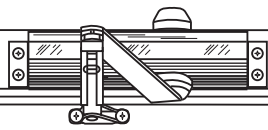


Right Hand Door – RH
Left Hand Reverse – LHR

Top Jamb Installation

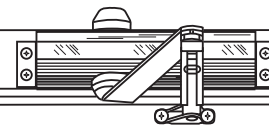
Closer on frame face on stop (push) side of door.

See Page 3



Right Hand Door – RH
Left Hand Reverse – LHR

Hinge Edge of Door



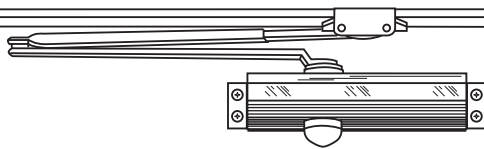
Left Hand Door – LH
Right Hand Reverse – RHR

Hinge Edge of Door

Parallel Arm Installation

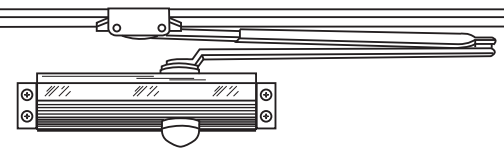
Closer on door on stop (push) side of door.

See Page 4



Right Hand Door – RH
Left Hand Reverse – LHR

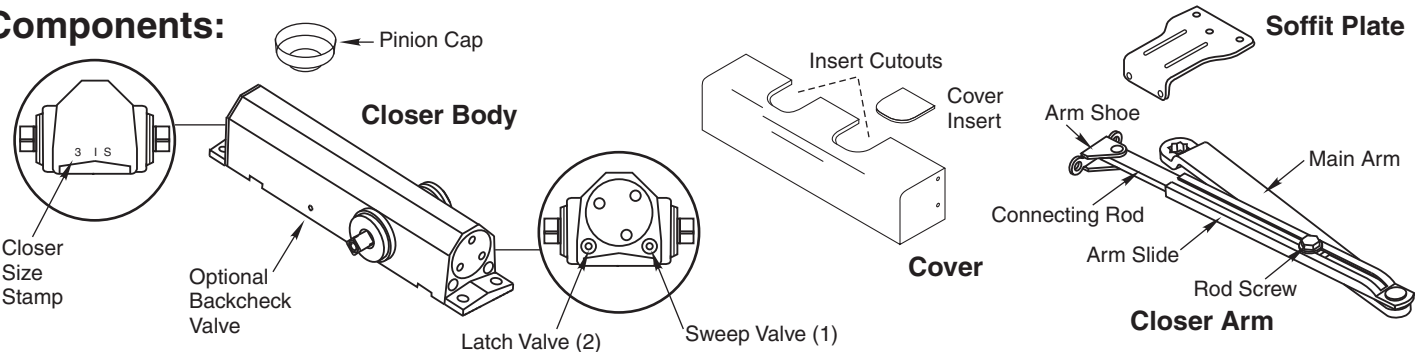
Hinge Edge of Door



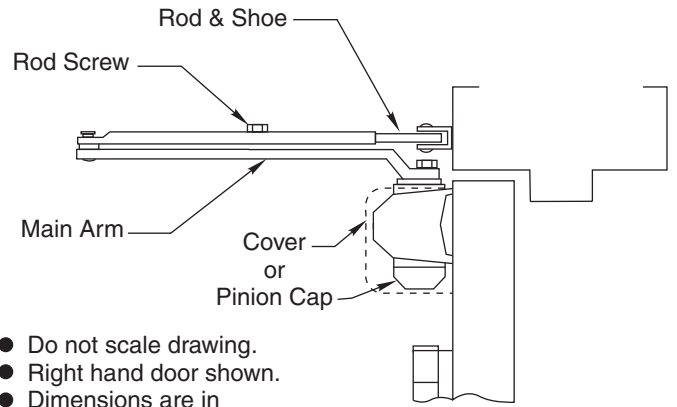
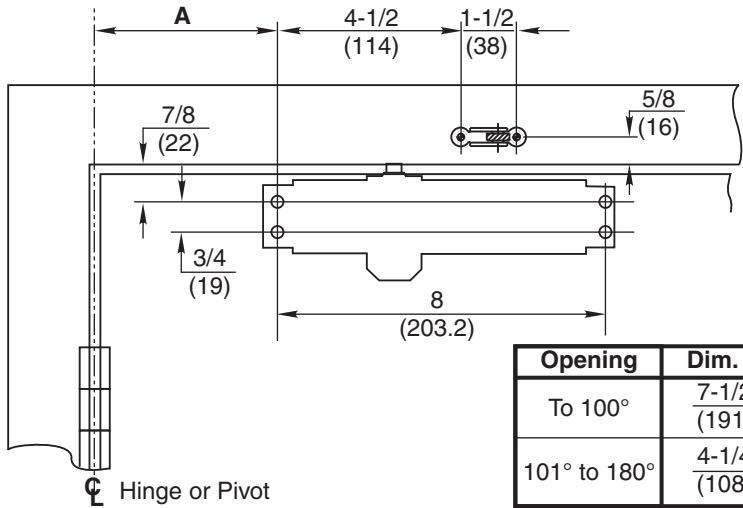
Left Hand Door – LH
Right Hand Reverse – RHR

Hinge Edge of Door

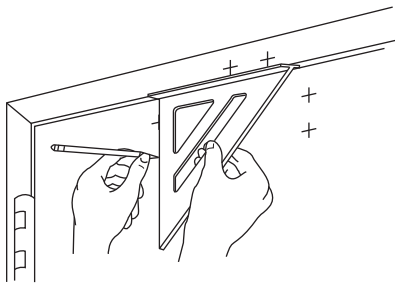
Components:



Regular Arm Mount

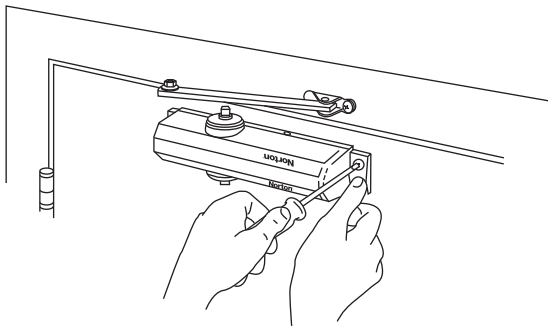
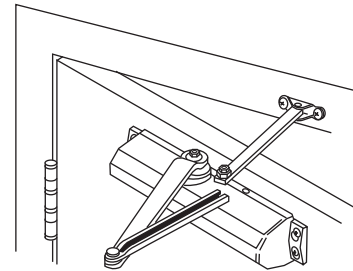


- Do not scale drawing.
- Right hand door shown.
- Dimensions are in inches (mm).



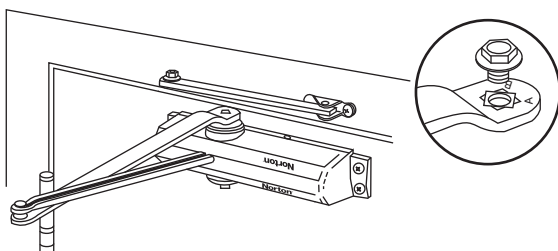
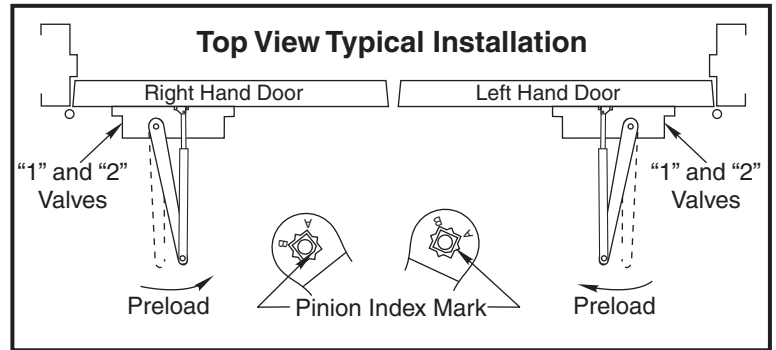
- **Select door opening angle.** Use template to locate holes on door and frame:
4 on door for closer. **2 on frame** face for arm shoe.
- **Prepare for fasteners.** See Chart on Page 2.

- **Install main arm on closer.** Place arm on pinion at 90° angle (perpendicular) to frame, see "Typical Installation" chart below. Fasten with arm screw.



- **Open door slightly.** Align and insert adjusting rod into adjusting tube. Close door. Adjust forearm at 90° angle (perpendicular) to door. Tighten rod screw.
- **Adjust closer.** See Page 3 ... Then install pinion cap or cover.

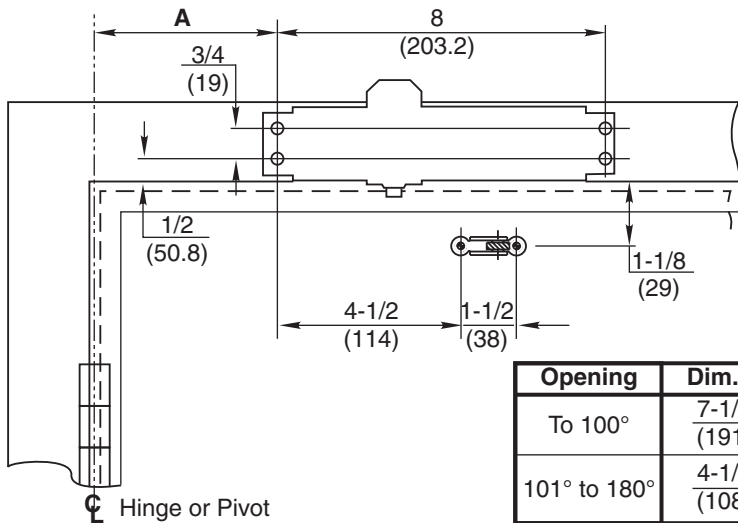
- **Remove rod and shoe from arm assembly.**
- **Mount rod and shoe to frame.** (Long end of shoe toward hinge.)
- **Mount closer to door.** Place end with two regulating valves toward hinge edge of door.



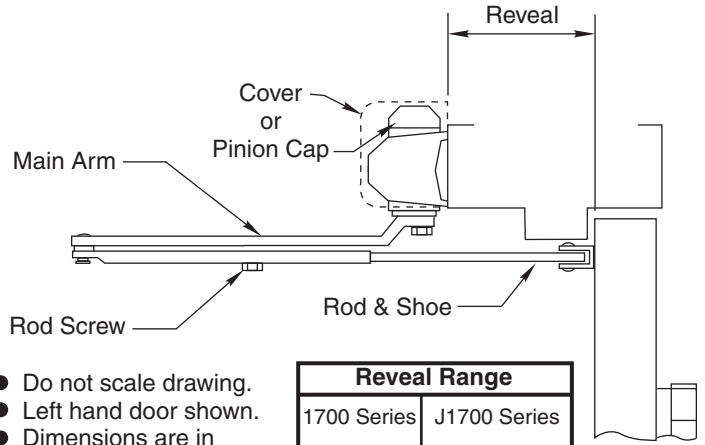
Fasteners Chart			
	Fasteners	Door or Frame	Drill-Sizes
Standard	#14 type "A" sheet metal screw	Wood	7/32" (5.56 mm.)
	1/4" - 20 machine screw	Metal	drill: #7 (0.201" dia.) Or 5.10mm tap: 1/4" - 20
Optional	Sex nuts and bolts	Hollow-Metal	9/32" (7.00 mm.) through; 3/8" (9.50 mm.) Door face opposite to closer
		Aluminum or Wood	3/8" (9.50 mm.) through
	Through-bolts and grommet-nuts	All	9/32" (7.00 mm.) through; 3/8" (9.50 mm.) dia. x 3/8" (9.50 mm.) deep on door face opposite to closer

Top Jamb Mount

Installation Instructions

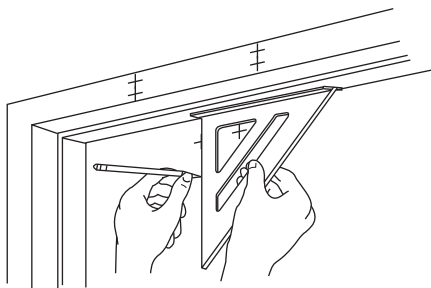


Opening	Dim. A
To 100°	7-1/2 (191)
101° to 180°	4-1/4 (108)

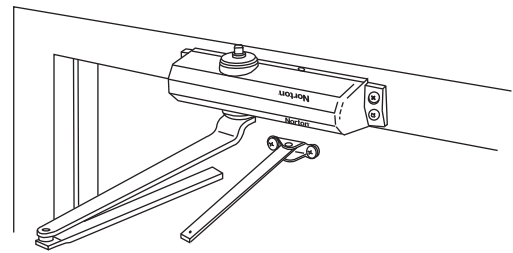


Reveal Range	
1700 Series	J1700 Series
0" to 4-7/8" (0) to (123)	4-7/8" to 6-7/8" (123) to (174)

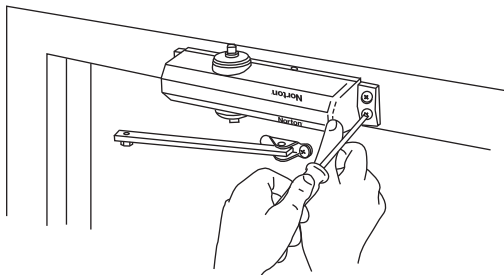
- Do not scale drawing.
- Left hand door shown.
- Dimensions are in inches (mm).



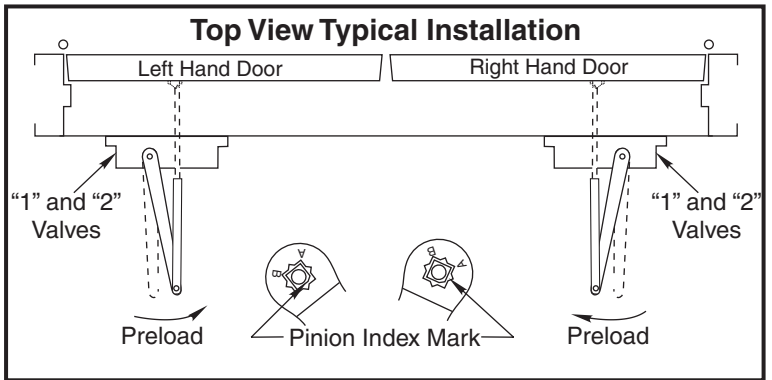
- **Select door opening angle.** Use template to locate holes on door and frame: **4 on frame face** for closer. **2 on door** for arm shoe.
- **Prepare for fasteners.** See Chart on Page 2.
- **Remove rod and shoe from arm assembly.**
- **Mount rod and shoe to door.** (Long end of shoe toward hinge).



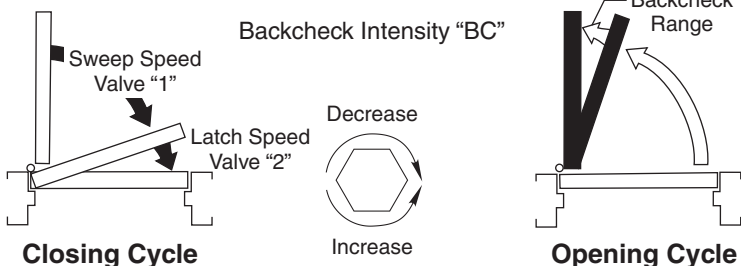
- **Install main arm on closer.** Place arm on pinion at 90° angle (perpendicular) to frame, see "Typical Installation" chart below.
- **Reassemble arm.** Adjust forearm at 90° angle (perpendicular) to door. Tighten rod screw.
- **Adjust closer.** See below.



- **Mount closer to frame.** Place end with two regulating valves toward hinge edge of door.



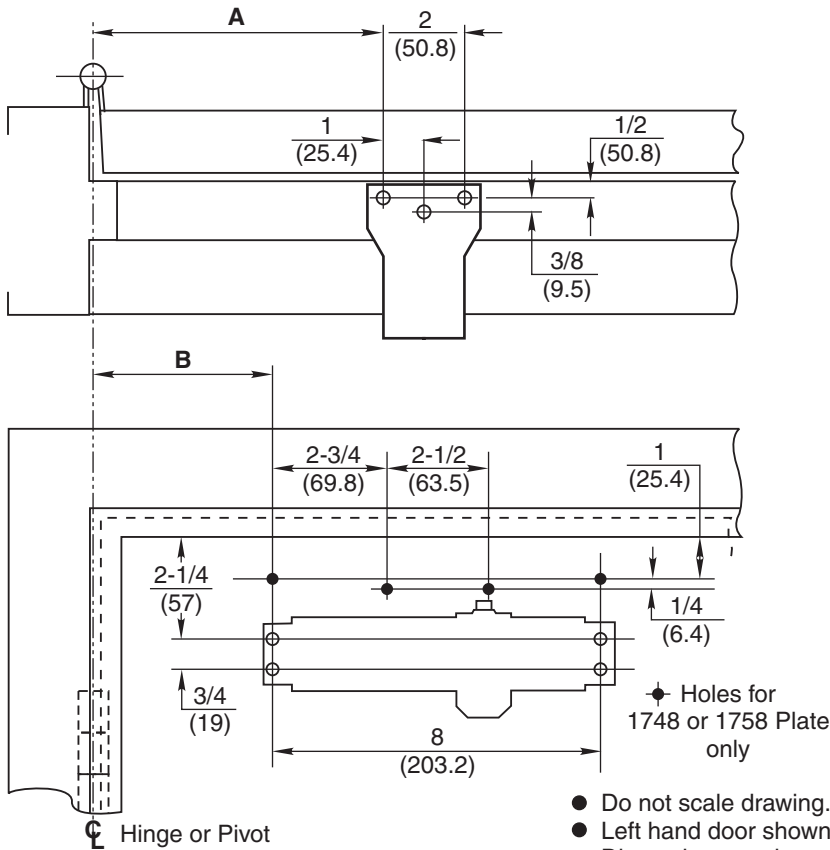
Valve Adjustments



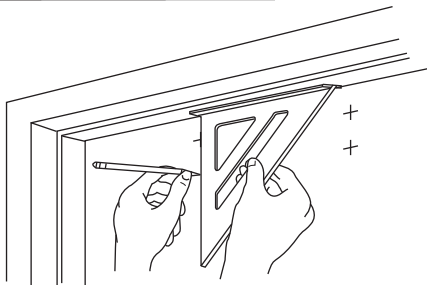
- **Closing power adjustment.** To increase power at "latch" by 15% refer to "Arm Shoe Adjustment" for Regular Arm of for Top Jamb installations only.
- **Closing speed** controlled by valve marked "1" (sweep range) and by valve marked "2" (latch range).
- **Backcheck Model Closers only** suffix "BC". Backcheck controlled by valve "BC". **Never close "BC" valve completely.**

Closing Speeds "1" and "2"

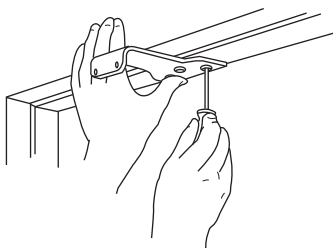
Parallel Arm Mount



Opening	Dim. A	Dim. B
To 100°	9-7/8 (251)	7-1/4 (184)
101° to 180°	7-1/8 (181)	4-1/4 (108)

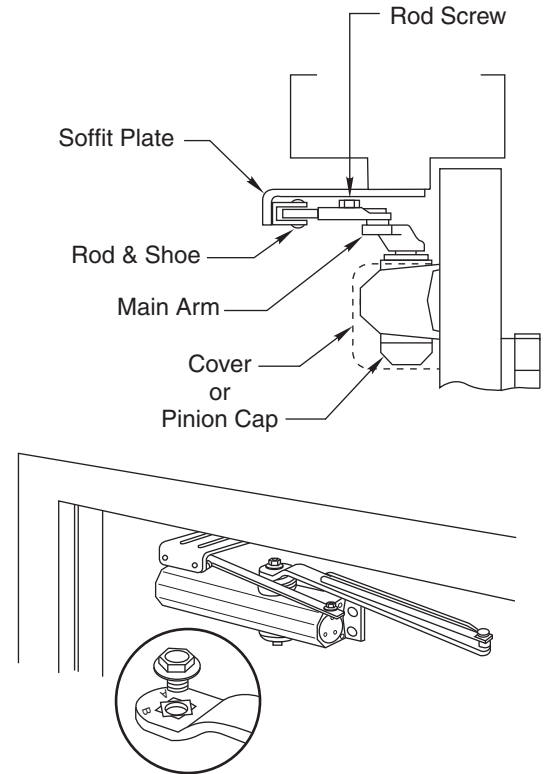


- Select door opening angle.** Use template to locate holes on door and frame:
4 on door for closer (or drop plate).
3 on frame for soffit plate.
- Prepare for fasteners.** See Chart on Page 2.

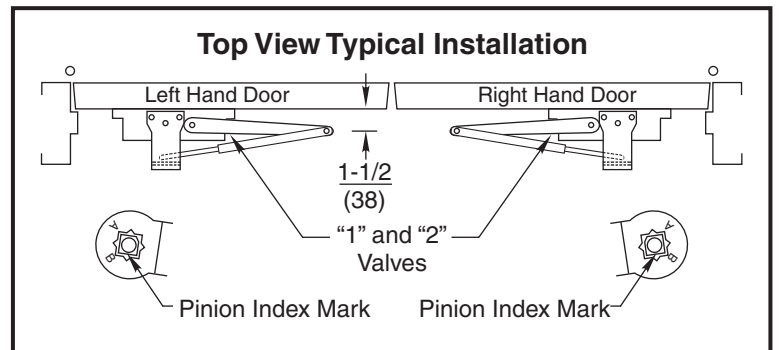


- Mount soffit plate to frame.**

- Remove rod and shoe from arm assembly.**
- Fasten rod and shoe to soffit plate.**
- Mount closer or drop plate and closer to door.** Place end with two regulating valves toward lock edge of door.



- Install main arm on closer.** Rotate pinion 45° toward hinge edge of door to align main arm letter "A" (right hand) or "B" (left hand) with Pinion Index Mark, see "Typical Installation" this page. Tighten rod screw.
- Reassemble arm.** Adjust forearm length to set arm elbow about 1-1/2 (38) from door. Tighten rod screw.
- Adjust closer.** See Closer Adjustment on Pages 2 & 3.





ASSA ABLOY
 the global leader in door opening solutions

3000 Highway 74 East • Monroe, NC 28112
 Tel: (877)-974-2255 • Fax: (800)-338-0965
www.nortondoortcontrols.com