

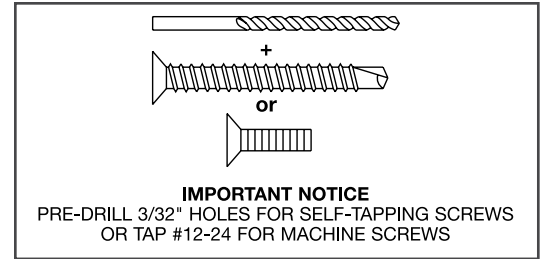
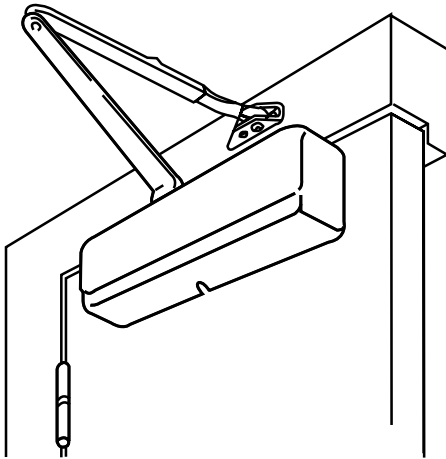
1431 DOOR CLOSER WITH STANDARD DUTY ARMS (WITHOUT HOLD OPEN) INSTALLATION INSTRUCTIONS

1431 SERIES ADJUSTABLE FROM SIZE 1 THRU 6

FOR INSTALLATION ASSISTANCE, CALL SARGENT AT 1-800-727-5477 • www.sargentlock.com

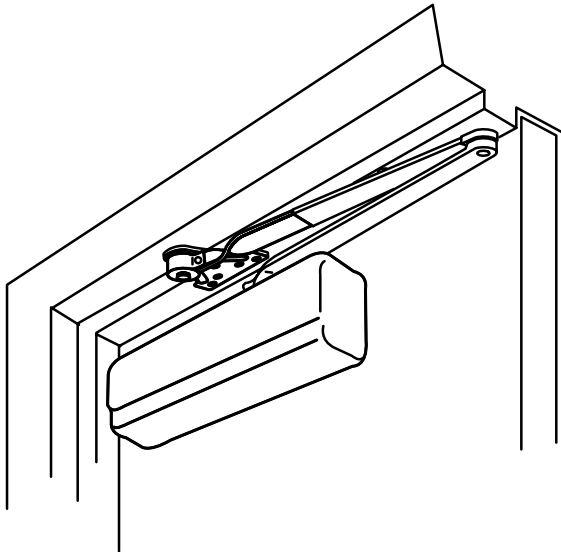
SARGENT®

ASSA ABLOY



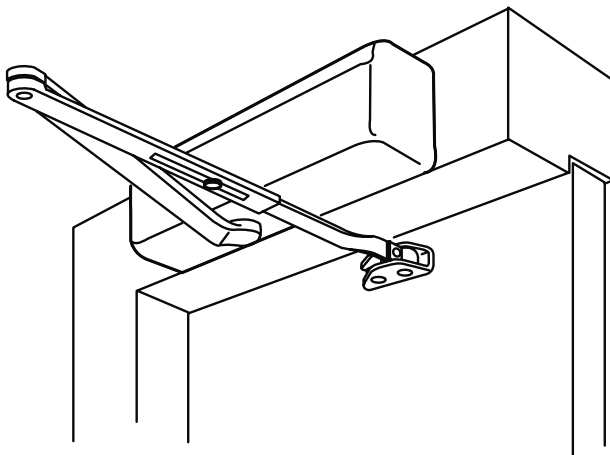
Standard Mounting Application with 0, R0, 08 or 0LC Arm

For Standard Applications – Door is mounted on the hinge side of the door (see page 2)



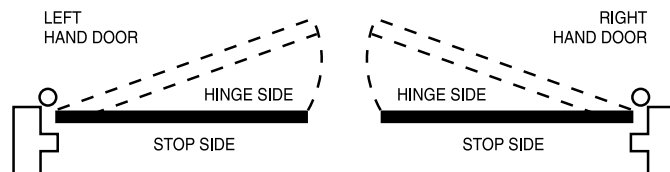
Parallel Arm Application with P9, RP9, P3, P3A, P4 or P4A Arm

For Parallel Arm Applications – Door Closer is mounted on the top side of the door (see page 4)



Top Jamb Application with 0, R0, 0Z or 0ZA Arm

For Top Jamb Application – Door Closer is mounted on the frame on the stop side of the door (see page 6)



STANDARD APPLICATION

1

- Select closer mounting position based on the maximum door opening, as listed below
Note: For ADA applications, select the 160° position.

2

- Using the enclosed self adhesive template, locate and mark hole locations
Note: 3/32" pilot holes are required when Self Tapping Screws are being used
If machine screws are being used, use a drill #16 (.177) and a #12-24 tap

3

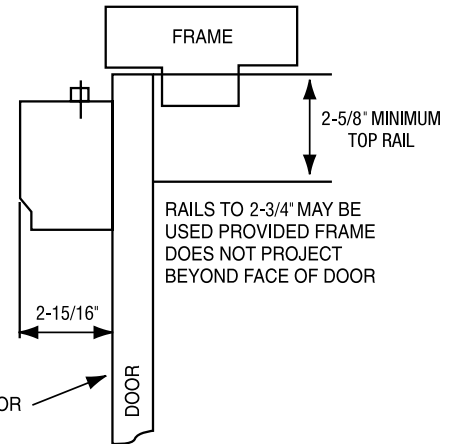
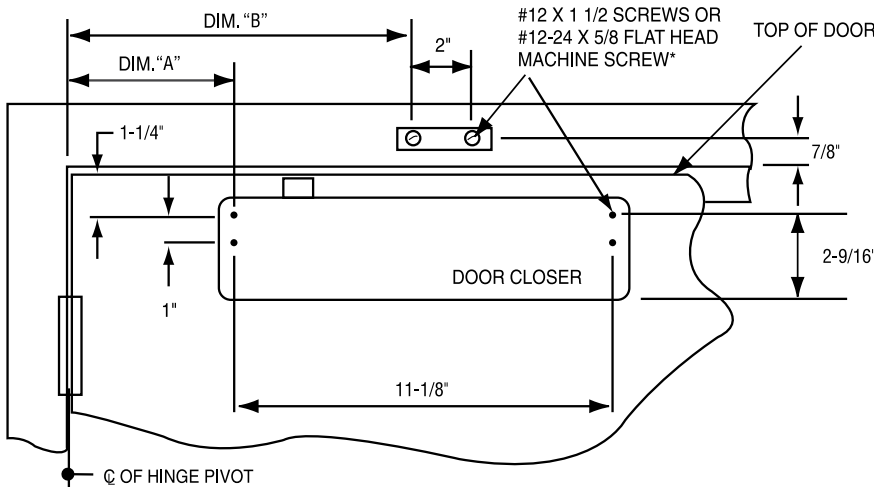
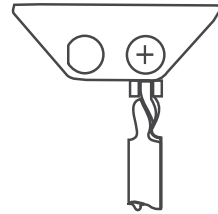
- Install closer body onto the door with 5/8" power adjustment nut end away from hinge
- Install foot & rod assembly onto the frames

MAXIMUM DOOR OPENING	DIM. A	DIM. B
120°	6-3/4"	12-1/8"
160°**	4-3/4"	10-1/8"



**If butt, frame and wall conditions permit, door will open 180°

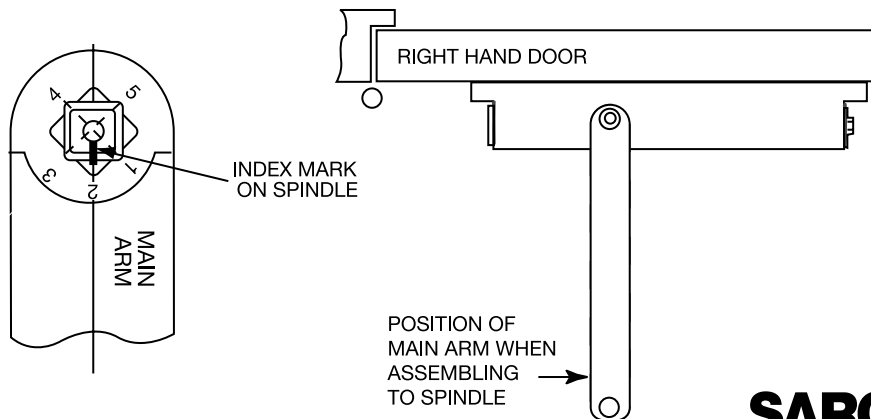
Note: On the foot & rod assembly always use the pivot farthest from the hinge



RIGHT HAND DOOR ILLUSTRATED, SAME DIMENSIONS APPLY FOR LEFT HAND DOOR.
 *SEE PAGE 8 FOR MORTISE NUTS

4

- Install main arm on the closer with the index mark on the spindle aligning with #2 on the main arm (as shown)



SARGENT

ASSA ABLOY

2

11/01/11
 A7139K

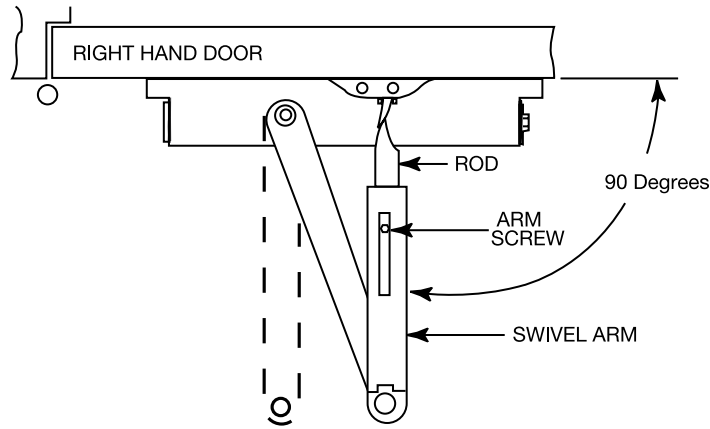
Copyright © 1998, 2000, 2002, 2005, 2207-2009, 2011, Sargent Manufacturing Company, an ASSA ABLOY Group company. All rights reserved. Reproduction in whole or in part without the express written permission of Sargent Manufacturing Company is prohibited.

ASSA ABLOY, the global leader in door opening solutions

STANDARD APPLICATION

5

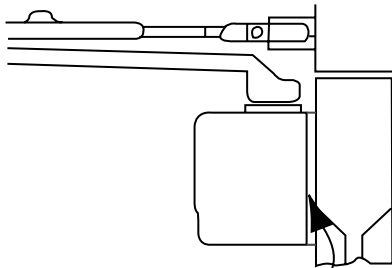
- Opening the door slightly, slide rod into swivel arms and then close the door
- With the door closed, position the swivel arm so it is 90° to the door surface
- Tighten the arm screw securely



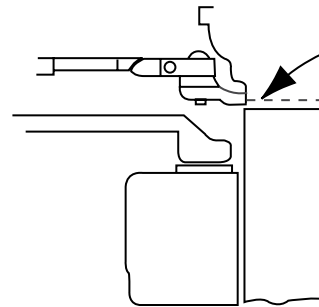
6

Adjust closer as required (See page 8 for details)

ACCESSORY INFORMATION

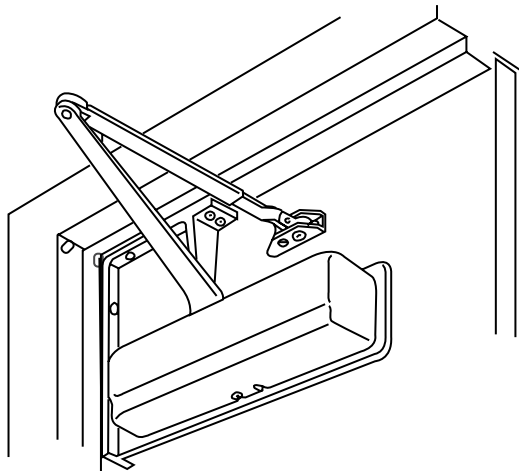


1431-J Cover Plate
May be used when closer is mounted on a narrow rail to improve appearance when closer is viewed through glass



Mortise Foot

08 Mortise foot may be used when the standard surface applied foot cannot be attached to the top casing or where appearance is a major factor



1431-W Corner bracket
May be used for exterior doors to keep the closer inside of building; also to obtain full 180° door opening closer is mounted on bracket attached to door jamb on stop side of door

Mortise nuts for bolting through the door are furnished when ordered

PARALLEL APPLICATION

1

- Select closer mounting position based on the maximum door opening, as listed below
Note: For ADA applications, select the 180° position.

2

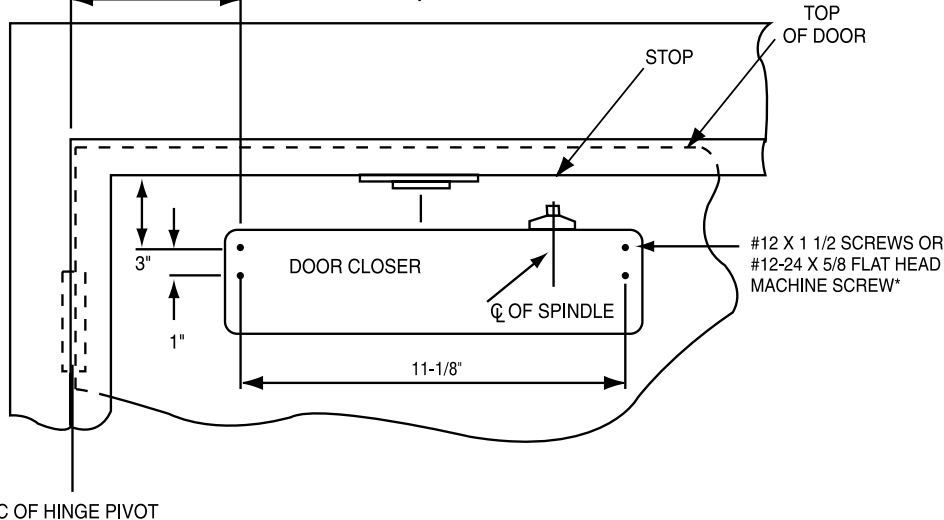
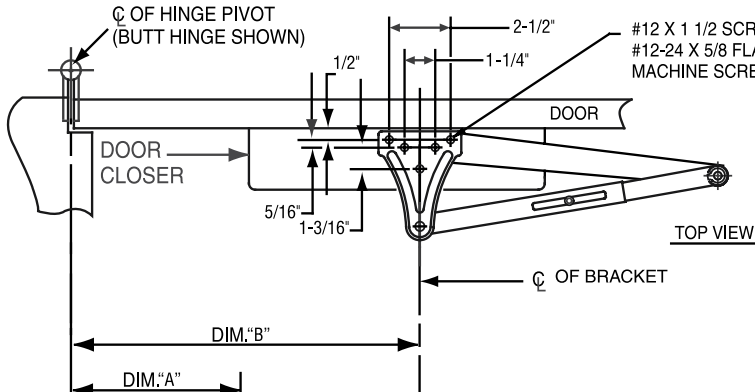
- Using the enclosed self adhesive template, locate and mark hole locations
Note: 3/32" pilot holes are required when Self Tapping Screws are being used
If machine screws are being used, use a drill #16 (.177) and a #12-24 tap

3

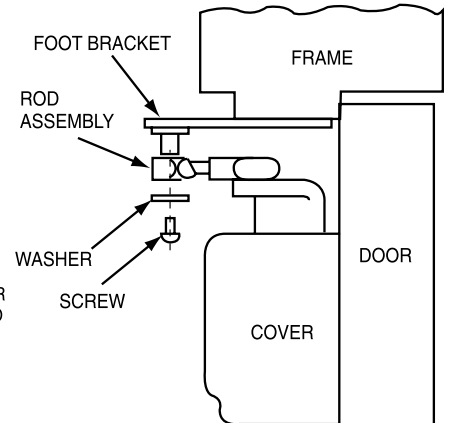
- Install closer body onto the door with 5/8" power adjustment nut end towards hinge
- Install foot bracket & rod assembly onto the frames

MAXIMUM DOOR OPENING	DIM. A	DIM. B
95°	6-1/2"	12-3/4"
120°	4"	10-1/2"
180°	1-1/4"	7-3/4"

Note: P9 or RP9 arm shown.
For P3, P3A, P4,P4A arms,
use data sheet enclosed



LEFT HAND DOOR SHOWN
 SAME DIMENSIONS APPLY FOR RIGHT HAND DOOR *SEE PAGE 8 FOR MORTISE NUTS



4

11/01/11
 A7139K

Copyright © 1998, 2000, 2002, 2005, 2207-2009, 2011, Sargent Manufacturing Company, an ASSA ABLOY Group company. All rights reserved. Reproduction in whole or in part without the express written permission of Sargent Manufacturing Company is prohibited.

SARGENT
ASSA ABLOY

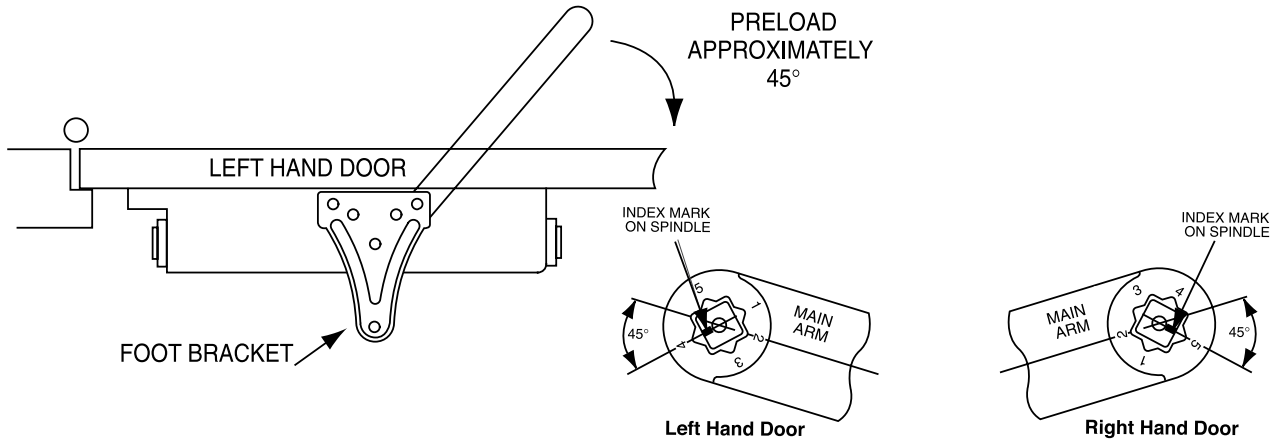
ASSA ABLOY, the global leader
 in door opening solutions

INSTRUCTIONS FOR INSTALLING PARALLEL ARM APPLICATION

Closer mounted on stop side of door

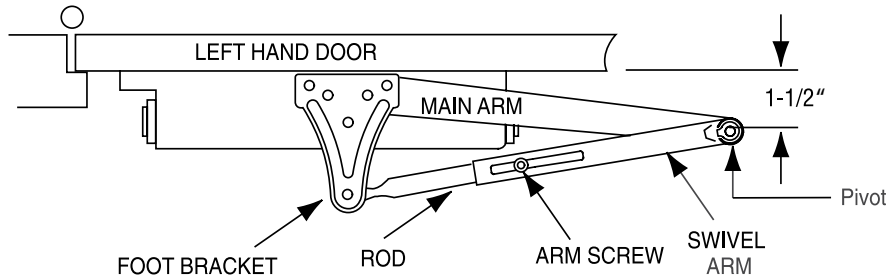
5

- Install main arm on the closer with index mark on spindle aligned with the number on the arm
- Note: Left Hand Doors – align index mark with the #4 on the main arm (as shown)**
- Right hand Door – align index mark with the #5 on the main arm (as shown)**
- This requires the spindle to be rotated
- Rotate the spindle on the bottom of the closer to align index mark and the required number on the arm



6

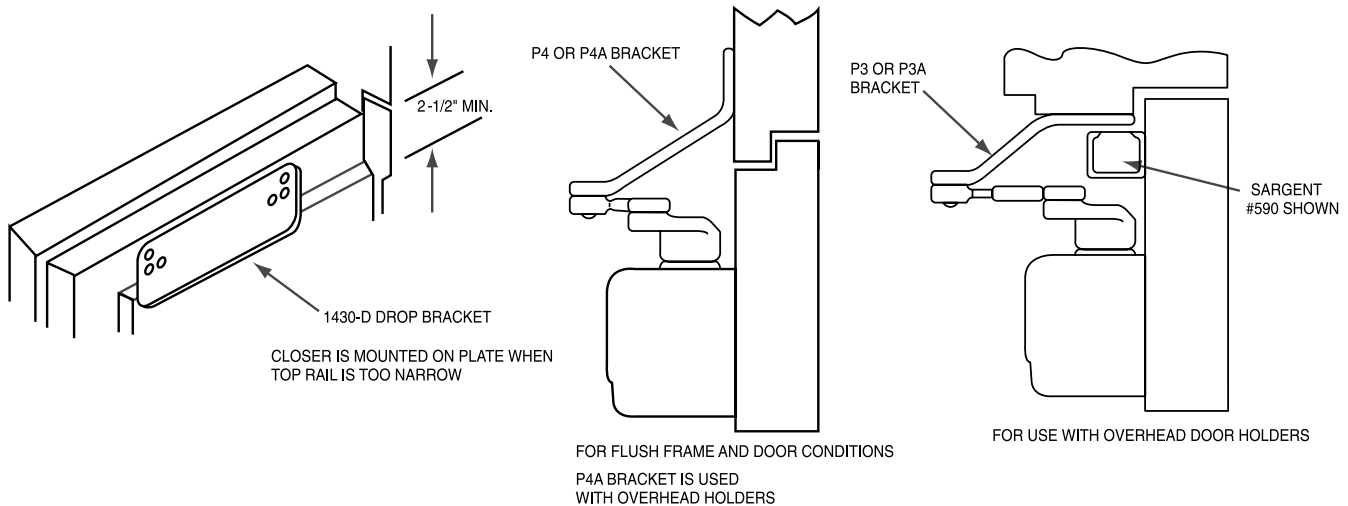
- Opening the door slightly, slide rod into swivel arm and then close the door
- With the door in the closed position, swivel arm so that the pivot is 1-21/2" off the door surface (as shown below)
- Tighten the arm screw securely



7

Adjust closer as required (See page 8 for details)

ACCESSORY INFORMATION



TOP JAMB APPLICATION

1

- Select closer mounting position based Reveal Depth as listed below

2

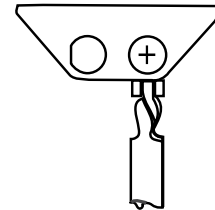
- Locate and mark hole locations
Note: 3/32" pilot holes are required when Self Tapping Screws are being used
If machine screws are being used, use a drill #16 (.177) and a #12-24 tap

3

- Install closer body onto the door with 5/8" power adjustment nut end away from hinge
- Install foot & rod assembly onto the frames

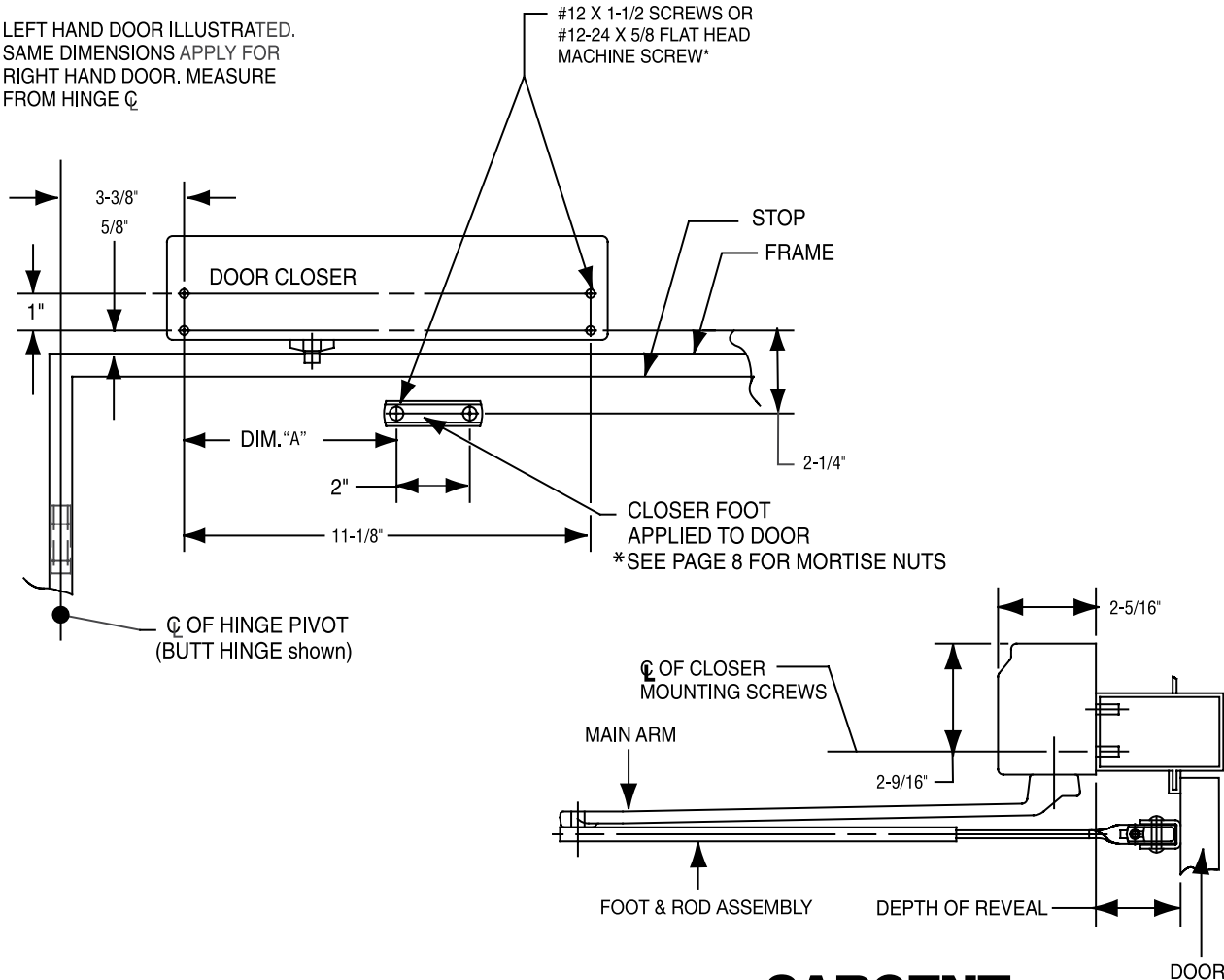
ARM ASSEMBLY TYPE	REVEAL DEPTH	DIM. A	MAXIMUM DOOR OPENING
O ARM	0" TO 2"	6"	180°
OZ ARM	2 1/8" TO 5"	6 3/4"	140°
OZA ARM	5 1/8" TO 8"	7 1/2"	140°

Note: On the foot & rod assembly, always use the pivot furthest from the hinge



**IF BUTT, FRAME AND WALL CONDITIONS PERMIT, DOOR WILL OPEN 180°

LEFT HAND DOOR ILLUSTRATED.
 SAME DIMENSIONS APPLY FOR
 RIGHT HAND DOOR. MEASURE
 FROM HINGE \varnothing



6

11/01/11
 A7139K

Copyright © 1998, 2000, 2002, 2005, 2207-2009, 2011, Sargent Manufacturing Company, an ASSA ABLOY Group company. All rights reserved. Reproduction in whole or in part without the express written permission of Sargent Manufacturing Company is prohibited.

SARGENT
ASSA ABLOY

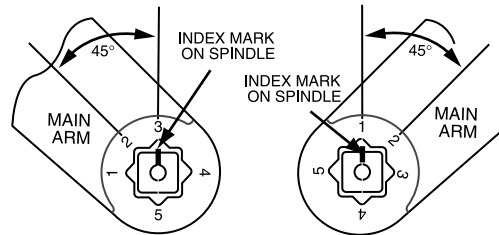
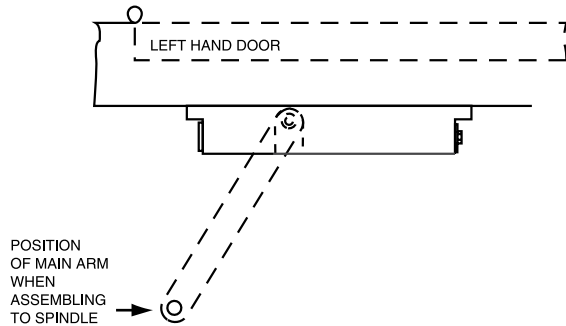
ASSA ABLOY, the global leader
 in door opening solutions

INSTRUCTIONS FOR INSTALLING TOP JAMB

Closer mounted on frame above stop side of door

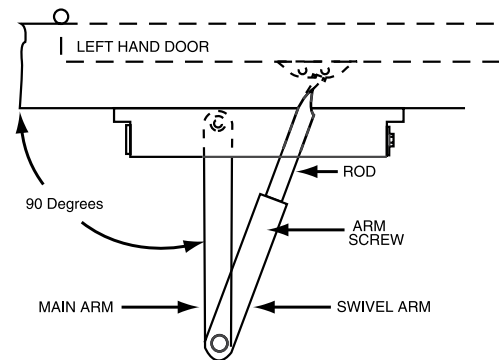
4

- Install main arm on the closer with index mark on spindle aligned with the number on the arm
Note: Left Hand Doors – align index mark with the #3 on the main arm (as shown)
Right hand Door – align index mark with the #1 on the main arm (as shown)
- This requires the spindle to be rotated
- Rotate the spindle on the top of the closer to align index mark and the required number on the arm



5

- Opening the door slightly, slide rod into swivel arm and then close the door
- With the door closed, position the main arm so it is at 90° to the door surface
- Tighten the arm screw securely



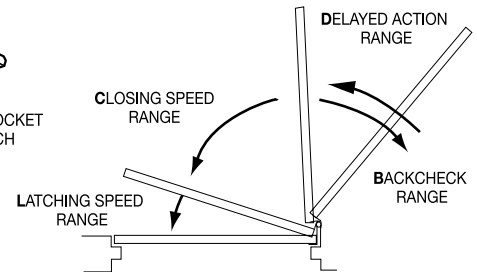
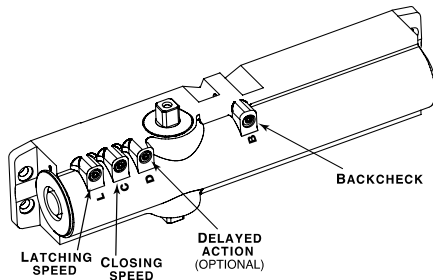
6

FINAL ADJUSTMENT AND REGULATING PROCEDURE

- Adjust door speed and latching speed valves to achieve the desired closing time. Recommend 6 seconds minimum for 90° to the closed position
- If backcheck is required, adjust valve to achieve a slight cushioning effect. Auxiliary stop required.
- If closer is equipped with delayed action, regulate valve to achieve the desired delay



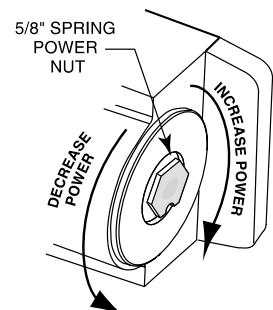
Use 1/8" hex wrench to adjust valves



NUMBER OF TURNS OF SPRING POWER ADJUSTING NUT	
DOOR WIDTH (INCHES)	1431 DOOR CLOSER
24-30	TURN nut 1-3
30-36	FACTORY SET
36-42	TURN nut 1-4
42-48	TURN nut 7-9

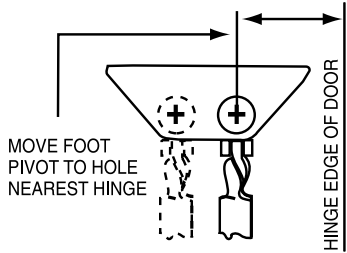
Adjust closing power to the minimum required to reliably close and latch door

- If door is hard to open, decrease power slightly
- If door does not latch, increase power as required
- Use the chart (on the left) as a starting point
- Doors adjusted with high closing power to overcome strong draft conditions may exceed ADA standards

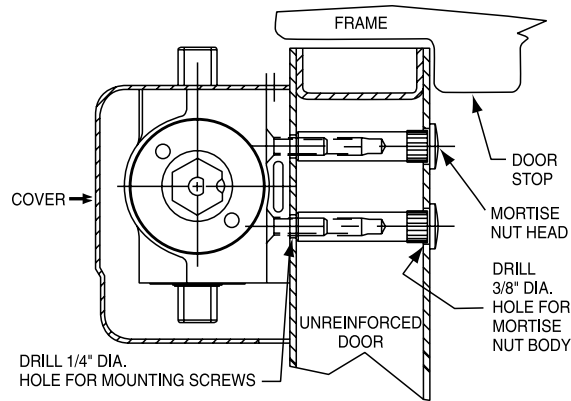


Additional Power Adjustment

Adjusting foot for additional closing power (for standard and top jamb applications only)



Through Bolts



1. For top jamb and corner bracket applications: The door closer foot will be attached to the door in a manner similar to that shown for mounting the closer body

2. For doors 2-1/4" thick: Mortise nut shown for 1-3/4" thick doors will be furnished along with appropriate length through-bolts, door construction must provide a bridge type reinforcement to prevent the door rail from collapsing with through-bolts are tightened.

INSTALL COVER AS FOLLOWS:

For standard an parallel arm application

- Screw short cover screw (#8-32 x 5/16") into top of case approximately 2 turns
- Assemble plastic support and long cover screw (#8-32 x 1-1/4") into bottom of case approximately 2 turns
- Hold support against case and slide cover into gap between flange and screw head
- Position cover on closer and tighten screws

For top jamb application

- Assemble plastic support and long cover screw (#8-32 1-1/4") into top of case approximately 2 turns
- Screw short cover screw (#8-32 x 5/16") into bottom of case approximately 2 turns
- Slide cover into gap between flange and screw head. Position cover on closer and tighten screws

