

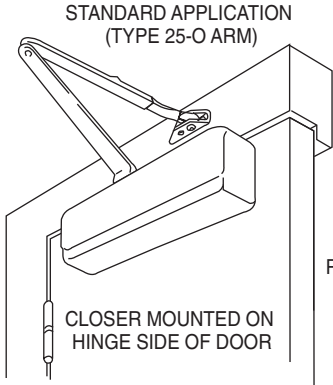
# MODEL 281 POWERGLIDE SERIES INSTRUCTIONS FOR INSTALLING SARGENT DOOR CLOSERS WITH REGULAR ARMS (WITHOUT HOLDER)

**SARGENT**  
**ASSA ABLOY**

281 SERIES NON SIZED ADJUSTABLE SIZES 1 THRU 6  
CAUTION: FAILURE TO INSTALL OR ADJUST PROPERLY MAY RESULT IN INJURY OR DAMAGE.  
FOR ASSISTANCE, CALL SARGENT AT 1-800-727-5477.



## 1 STANDARD & TOP JAMB APPLICATIONS

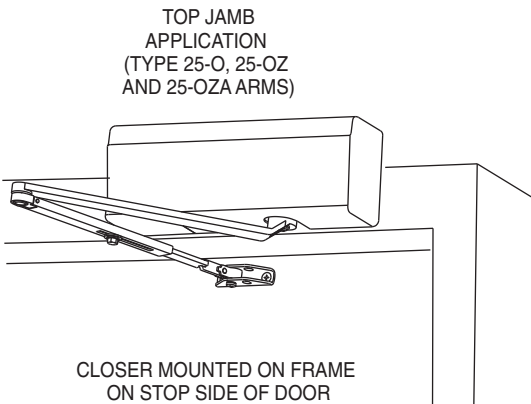


USE  
PAGE 2

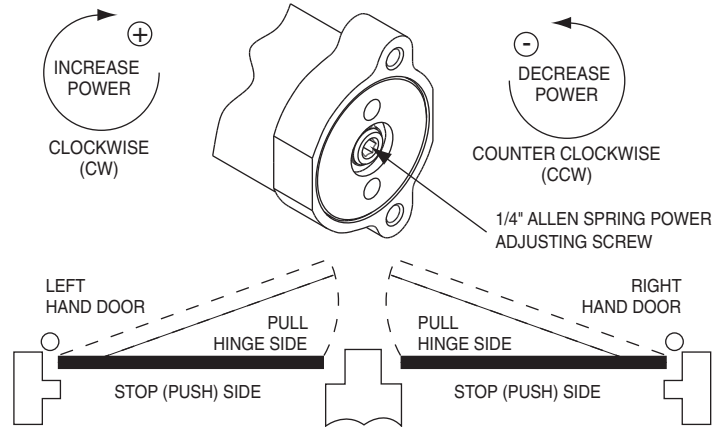
NOTE: FOR 08 AND OLC TYPE ARMS MOUNTING  
SEE DATA SHEETS ENCLOSED

DOOR WIDTH (INCHES)	APPROXIMATE DOOR WEIGHT (POUNDS)	NUMBER OF TURNS OF SPRING POWER ADJUSTING SCREW FROM FACTORY SETTING (USE CHART AS GUIDE ONLY)	
		281 EXTERIOR DOORS	INTERIOR DOORS
24	80	FACTORY SET	1-5 CCW
30	110	1-5 CW	
32	115		
36	130	5-8 CW	FACTORY SET
40	150	8-13 CW	
42	155		13-15 CW
44	165	5 CW AND UP AS REQ.	
46	170		1-5 CW
48	180	5 CW AND UP AS REQ.	
OVER 48			

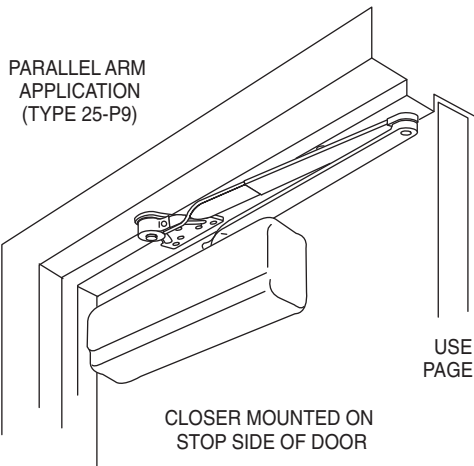
\*ADJUST SPRING POWER ACCORDING TO CHART



USE  
PAGE 3



## PARALLEL APPLICATION ONLY



USE  
PAGE 4

DOOR WIDTH (INCHES)	APPROXIMATE DOOR WEIGHT (POUNDS)	NUMBER OF TURNS OF SPRING POWER ADJUSTING NUT FROM FACTORY SETTING (USE CHART AS GUIDE ONLY)	
		281 EXTERIOR DOORS	INTERIOR DOORS
24	80	2-7 CW	1-5 CCW
30	110	7-11 CW	
32	115		
36	130	11-15 CW	FACTORY SET
40	150	15-17 CW	
42	155		8 CW AND UP AS REQ.
44	165	1-8 CW	
46	170		UP TO 19 CW AS REQ.
48	180	8 CW AND UP AS REQ.	
OVER 48			


\*IF INTERIOR DOORS DO NOT HAVE TO COMPLY WITH ADA REQUIREMENTS, EXTERIOR DOOR SETTINGS ARE RECOMMENDED. WHERE STRONG DRAFTS EXIST, INCREASE SPRING POWER AS NEEDED BY TURNING SPRING ADJUSTMENT SCREW CLOCKWISE. IF NECESSARY, REDUCE SPRING POWER BY TURNING SCREW COUNTERCLOCKWISE.

# 281 STANDARD APPLICATION FOR INSTRUCTIONS

# SARGENT

# ASSA ABLOY

IMPORTANT: USE ALTERNATE MOUNTING IF DOOR CAN OPEN BEYOND LIMITS SHOWN FOR STANDARD MOUNTING

ARM TYPE	MOUNTING	MAX. DOOR OPENING	DIM. A	DIM. B
REGULAR ARM NO HOLDER	STANDARD	120°	7"	12-1/8"
	ALTERNATE 	160°	5"	10-1/8"

 IF BUTT, FRAME AND WALL CONDITIONS PERMIT DOOR WILL OPEN 180°

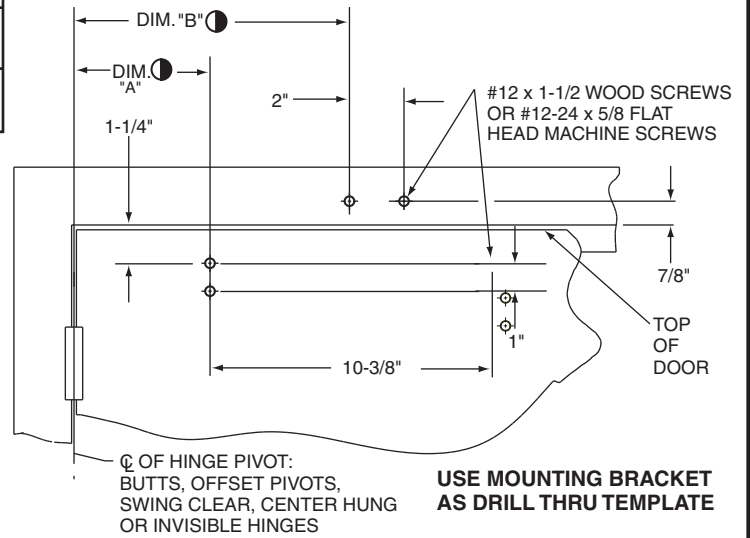
①  RIGHT HAND DOOR SHOWN. LEFT HAND DOOR OPPOSITE.

②  THIS DIMENSION IS TAKEN FROM HINGE EDGE OF DOOR FOR INVISIBLE HINGES.

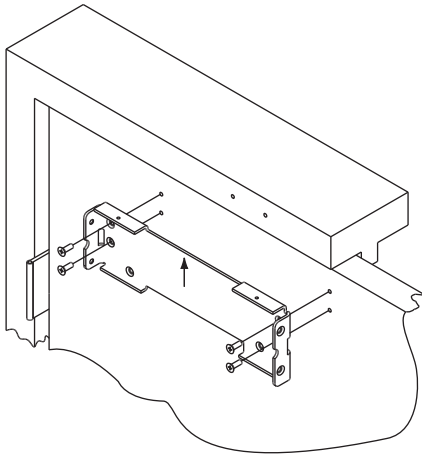
DRILL & TAP AND USE SCREWS PROVIDED OR USE MORTISE NUTS WHEN REQUIRED.



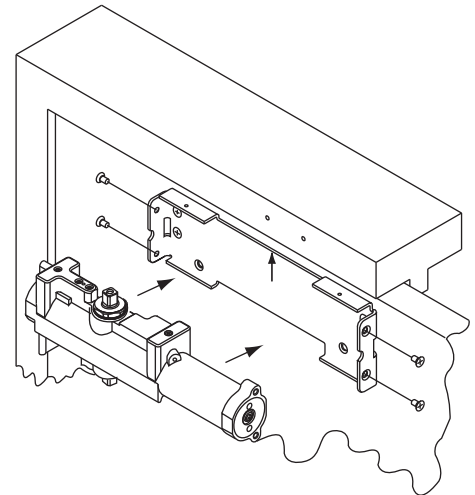
**ALTERNATE MOUNTING IS RECOMMENDED FOR ADA COMPLIANT DOORS**



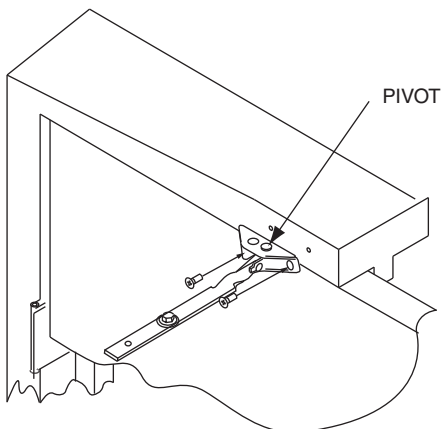
**A** INSTALL MOUNTING BRACKET WITH ARROW POINTING UP FOR BOTH RH & LH DOORS AND INSTALL CLOSER WITH SPRING ADJUSTMENT SCREW AWAY FROM HINGE.



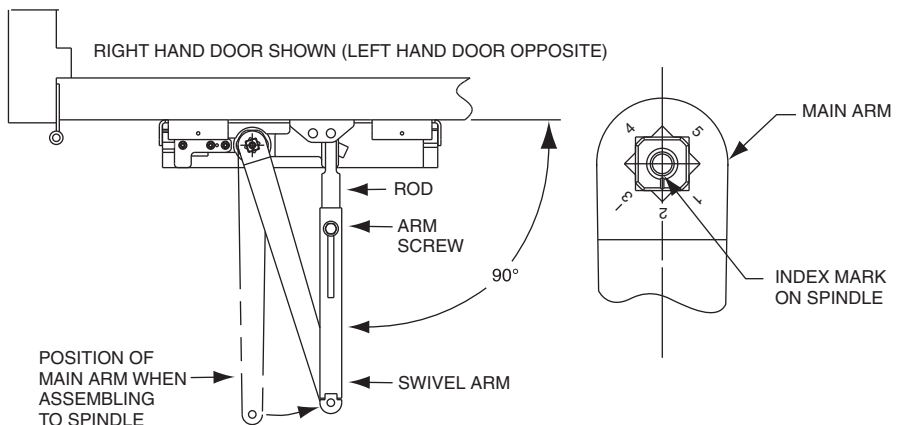
RIGHT HAND DOOR SHOWN



**B** ATTACH FOOT TO FRAME WITH PIVOT AWAY FROM HINGE.



**C** ATTACH ARM WITH INDEX MARK ON SPINDLE ALIGNED AS SHOWN. SECURE WITH SCREW AND WASHER. INSERT ROD END INTO SWIVEL ARM AND TIGHTEN ARM SCREW AS SHOWN BELOW.



ASSA ABLOY, the global leader in door opening solutions

Copyright © 2001, 2003, 2005-2008, Sargent Manufacturing Company, an ASSA ABLOY Group company. All rights reserved. Reproduction in whole or in part without the express written permission of Sargent Manufacturing Company is prohibited.

A7278E

# 281 TOP JAMB APPLICATION INSTRUCTIONS

**SARGENT**

**ASSA ABLOY**

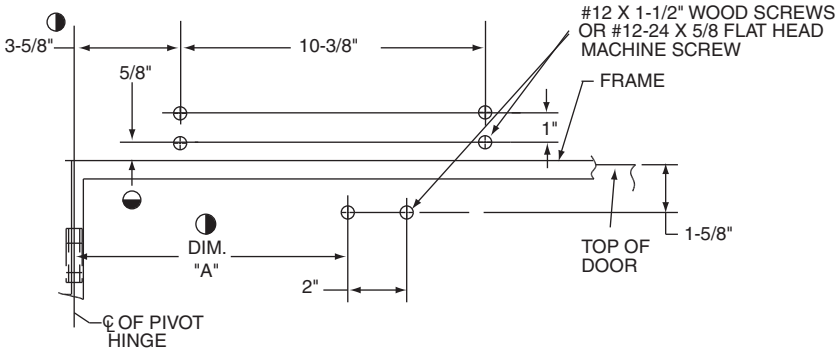
IMPORTANT: USE ALTERNATE MOUNTING IF DOOR CAN OPEN BEYOND LIMITS SHOWN FOR STANDARD MOUNTING

ARM TYPE	REVEAL DEPTH	DIM. A	MAX. DOOR OPENING
"O" ARM	0" TO 2"	9-5/16"	180°
"OZ" ARM	2-1/8" TO 5"	10-1/8"	140°
"OZA" ARM	5-1/8" TO 5"	10-15/16"	140°

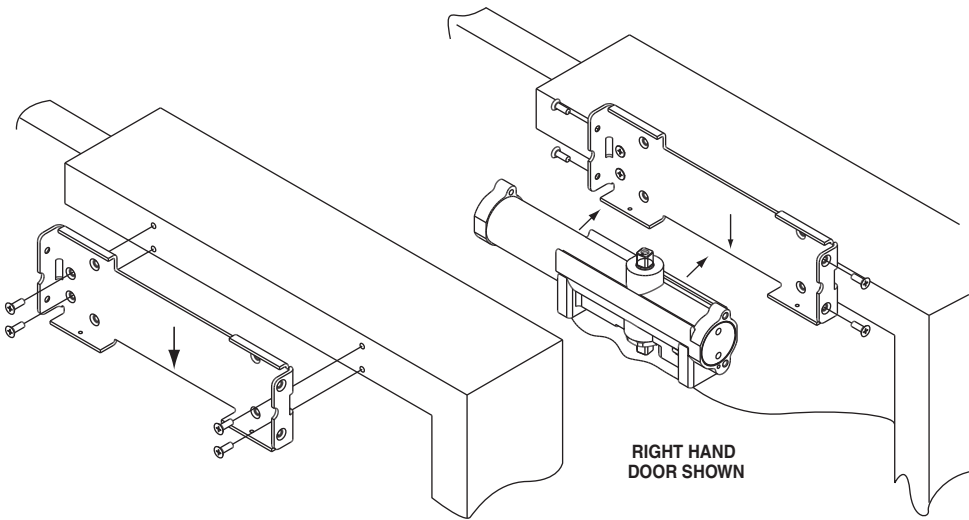
- 1 LEFT HAND DOOR SHOWN, RIGHT HAND DOOR OPPOSITE.
- 2 THESE DIMENSIONS MAYBE REDUCED TO 3/8" MIN. IF RAIL ON TOP CASING IS NARROW OR LOW CEILING CONDITION EXISTS. CLOSER FOOT SHOULD BE MOVED ACCORDINGLY.
- 3 THIS DIMENSION IS TAKEN FROM HINGE EDGE OF DOOR FOR INVISIBLE HINGES.

DRILL & TAP AND USE SCREWS PROVIDED OR USE MORTISE NUTS WHEN REQUIRED.

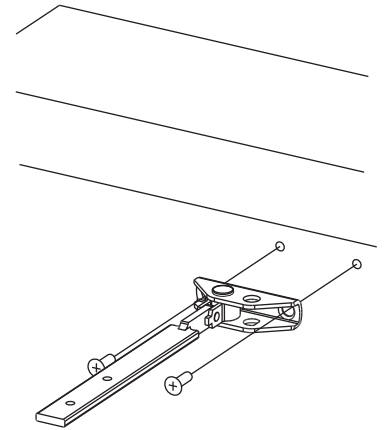
**USE MOUNTING BRACKET AS A DRILL-THRU TEMPLATE**



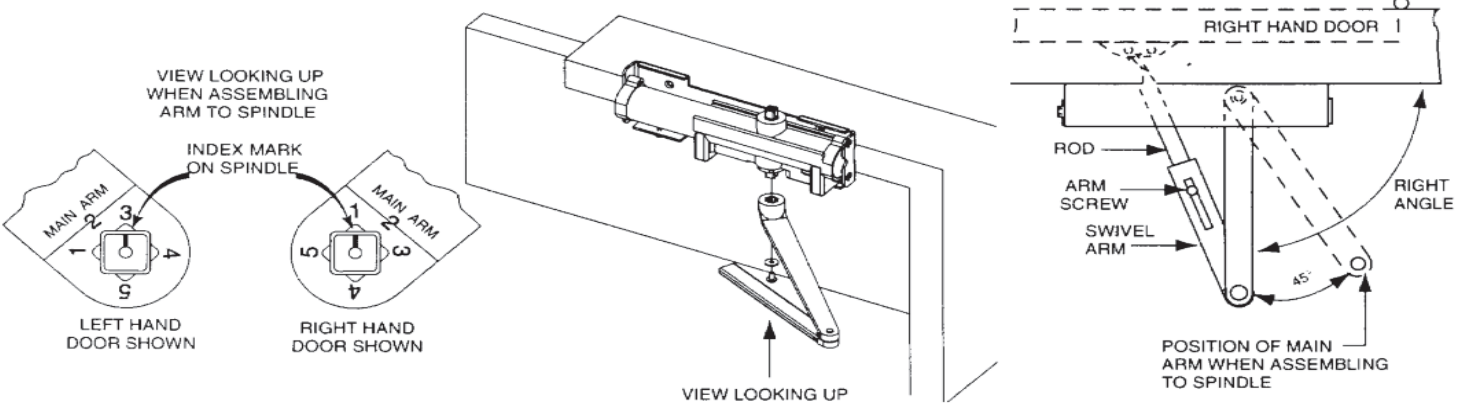
**A** INSTALL MOUNTING BRACKET WITH ARROW POINTING DOWN FOR BOTH RH & LH DOORS AND INSTALL CLOSER WITH SPRING ADJUSTMENT SCREW AWAY FROM HINGE.



**B** ATTACH FOOT TO DOOR WITH PIVOT AWAY FROM HINGE.



**C** INSTALL MAIN ARM TO SPINDLE AND SECURE WITH SCREW AND WASHER AS SHOWN. INSERT ROD END INTO MAIN ARM AND TIGHTEN ARM SCREW.



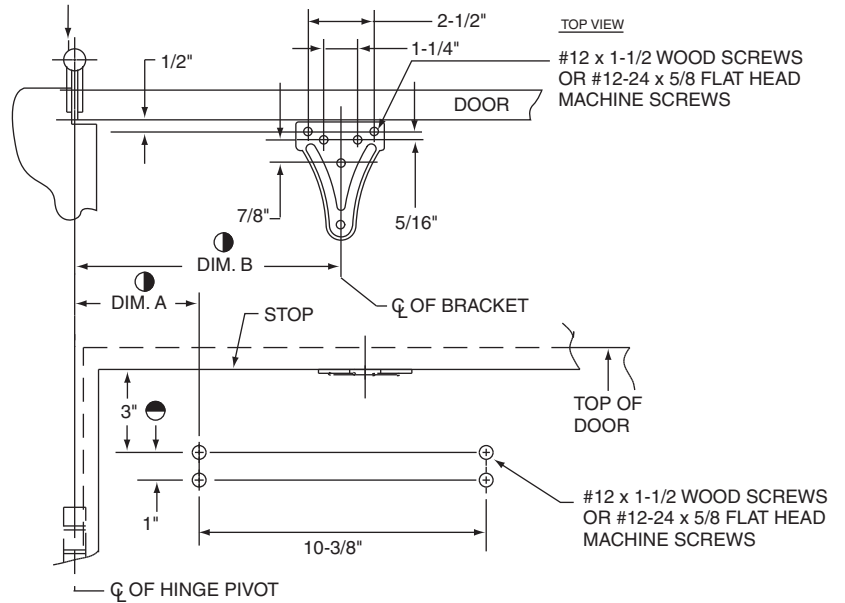
# 281 PARALLEL ARM APPLICATION INSTRUCTIONS

**SARGENT**

**ASSA ABLOY**

MAX. DOOR OPENING	DIM. A	DIM. B
120°	4-1/2"	10-1/2"
180° ●	1-5/8"	7-5/8"

HINGE PIVOT:  
BUTT, OFFSET PIVOTS, SWING CLEAR,  
CENTERHUNG OR INVISIBLE HINGES

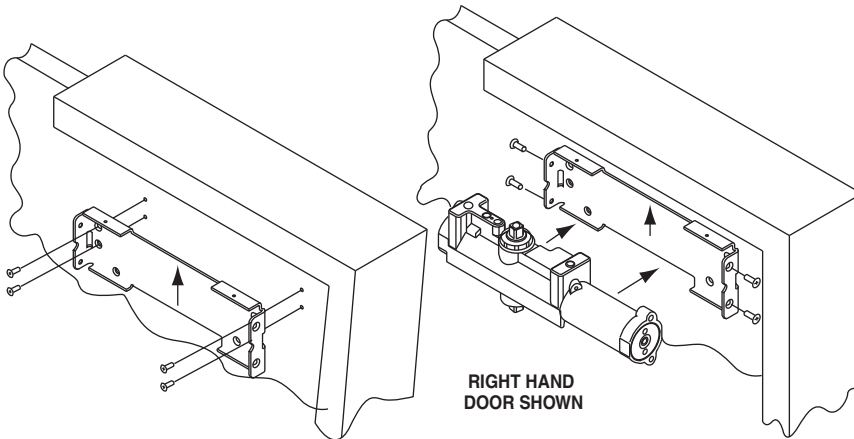


- 1 LEFT HAND DOOR SHOWN. RIGHT HAND DOOR DIMENSION OPPOSITE.
- 2 ● DO NOT USE THIS MOUNTING FOR "SWING CLEAR" HINGES.
- 3 ◐ THIS DIMENSION IS TAKEN FROM HINGE EDGE OF DOOR FOR INVISIBLE HINGES.
- 4 ◑ MAY BE REDUCED BY 1/2" TO AVOID DOOR TRIM.

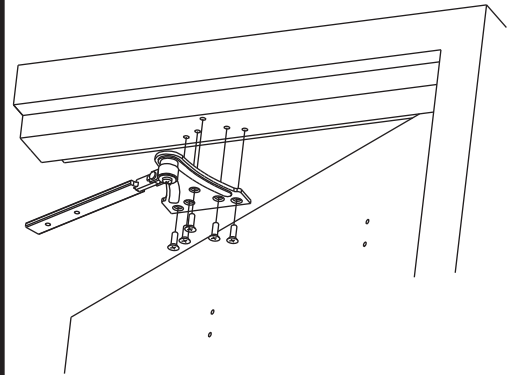
DRILL & TAP AND USE SCREWS PROVIDED OR USE MORTISE NUTS WHEN REQUIRED.

REMOVE BACKING FROM SELF ADHESIVE TAPE AND USE BRACKET AS DRILL THROUGH TEMPLATE.

**A** INSTALL MOUNTING BRACKET WITH ARROW POINTING UP FOR BOTH RH & LH DOORS AND INSTALL CLOSER WITH SPRING ADJUSTING SCREW TOWARDS HINGE.

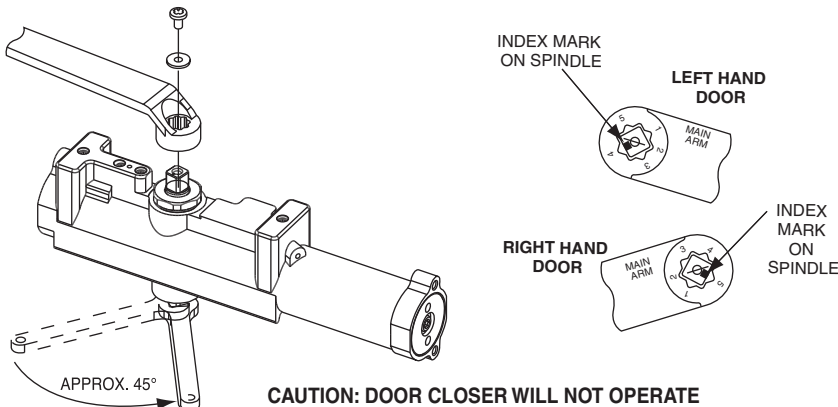


**B** ATTACH FOOT BRACKET TO FRAME STOP.

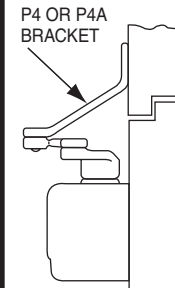


OPTIONAL ARMS FOR MOUNTING. SEE DATA SHEET ENCLOSED.

**C** USING WRENCH ON BOTTOM END OF SPINDLE, ROTATE 45° AND ASSEMBLE MAIN ARM TO CLOSER AS SHOWN, AND THEN INSERT ROD END INTO SWIVEL ARM AND TIGHTEN ARM SCREW POSITIONING ARM 1/2" AWAY FROM DOOR.

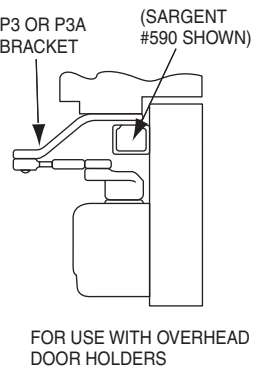


P3 OR P3A BRACKET (SARGENT #590 SHOWN)



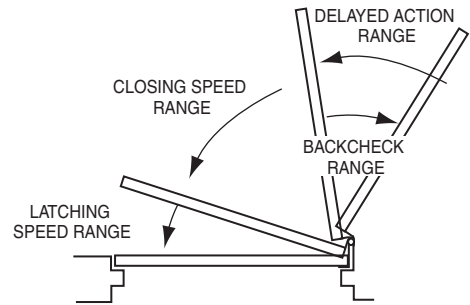
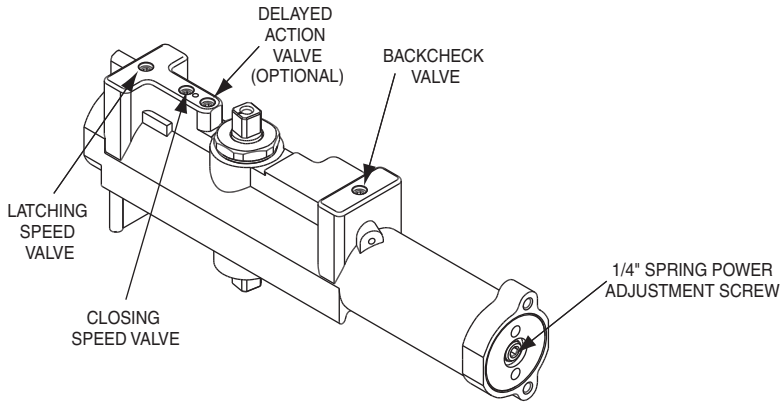
FOR FLUSH FRAME AND DOOR CONDITIONS

P4A BRACKET IS USED WITH OVERHEAD HOLDERS



# FINAL ADJUSTMENT AND REGULATING PROCEDURE

**SARGENT**  
**ASSA ABLOY**



**A** REGULATING DOOR SPEED AND LATCHING SPEED AS NEEDED.

USE HEX SOCKET (1/8" ALLEN) WRENCH AND TURN VALVES CLOCKWISE TO SLOW DOWN OR COUNTER CLOCKWISE TO SPEED UP DOOR MOVEMENT.



**B** REGULATING BACKCHECK

TO REGULATE THE INTENSITY OF BACKCHECK ACTION TURN VALVE CLOCKWISE TO INCREASE OR COUNTER CLOCKWISE TO DECREASE CHECKING.

**CAUTION:** SET VALVE FOR SLIGHT CUSHIONING EFFECT. IT IS DAMAGING TO THE CLOSER IF THE CHECKING ACTION IS TOO ABRUPT. NEVER USE BACKCHECK AS A DOOR STOP. **ALWAYS USE A DOOR STOP TO STOP THE DOOR.**

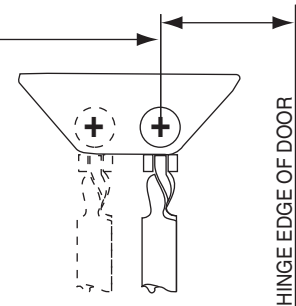
**D** FOR MODELS WITH OPTIONAL DELAYED ACTION FEATURE

"DELAYED ACTION" PROVIDES SLOW DOOR CLOSING THROUGH DELAYED ACTION RANGE

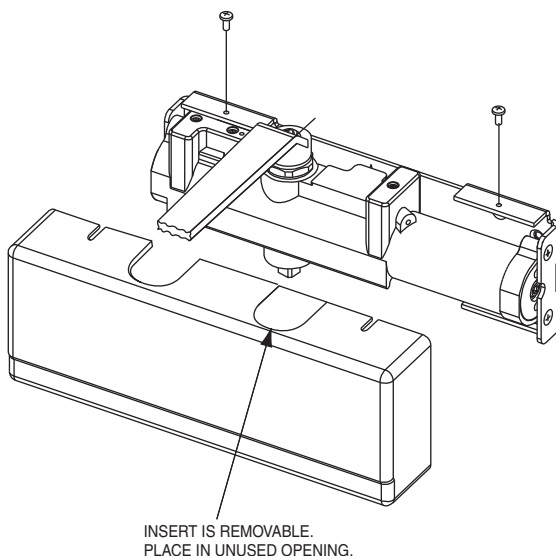
TURN VALVE CLOCKWISE TO SLOW DOWN OR COUNTER CLOCKWISE TO SPEED UP DOOR MOVEMENT

**B** ADJUSTING FOOT FOR ADDITIONAL CLOSING POWER (FOR STANDARD AND TOP JAMB APPLICATIONS ONLY)

MOVE FOOT PIVOT TO HOLE NEAREST HINGE



**E** INSTALL COVER WITH TWO SCREWS AS SHOWN.



# USING MORTISE NUTS WITH SARGENT DOOR CLOSER



1. SEE INSTRUCTIONS OR DATA SHEET PACKED WITH DOOR CLOSER FOR DIMENSIONS LOCATING THE CLOSER BODY AND FOOT ON DOOR AND FRAME.
2. MORTISE NUT SHOWN IS DESIGNED FOR AN UNREINFORCED METAL DOOR.
3. FOR TOP JAMB AND CORNER BRACKET APPLICATIONS: THE DOOR CLOSER FOOT WILL BE ATTACHED TO THE DOOR IN A MANNER SIMILAR TO THAT SHOWN FOR MOUNTING THE CLOSER BODY.
4. FOR DOORS 2-1/4" THICK: MORTISE NUT SHOWN FOR 1-3/4" THICK DOORS WILL BE FURNISHED ALONG WITH APPROPRIATE LENGTH THRU-BOLTS. DOOR CONSTRUCTION MUST PROVIDE A BRIDGE TYPE REINFORCEMENT TO PREVENT THE DOOR RAIL FROM COLLAPSING WHEN THRU-BOLTS ARE TIGHTENED.

