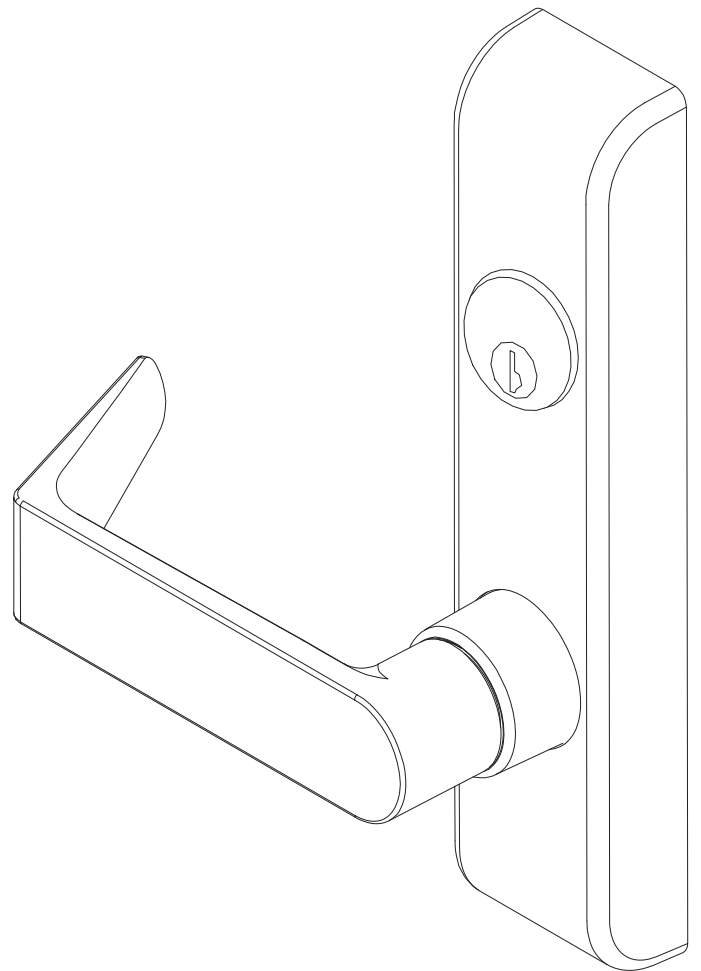


VON DUPRIN®

360/370
Series
Controls

Service manual



INDEX

360/370 Series Controls	
370-T & 370-T-BE Control	4
370-L & 370-L-BE Control	5
370-L-DT & 372-L-DT Control	6
371-L & 371-L-BE Control	7
372-T & 372-T-BE Control	8
373-L & 373-L-BE Control	9
374-T, 374-T-BE, 376-T, 376-T-BE, 376-T-WDC & 376-T-WDC-BE CONTROL	10
374-T, 374-T-BE Rod Member Kits	11
376-T, 376-T-BE Rod Member Kits	11
374-T-WDC, 374-T-WDC-BE Rod Member Kits	11
377-T & 377-T-BE Control	12
360-L & 360-L-BE Control	13
360-T & 360-T-BE Control	14
360-L-DT Control	15
E360-L-BE Control	16
General Information	
Introduction	2
How to Order	2
Part Number Changes	2
Mounting ScREW Packages	2
Control Levers	3
Kits Required to Change Handling on Lever Controls	3
Cylinder Mount Accessories	3

INTRODUCTION

This manual contains a listing of replaceable parts and assemblies for the 360/370 Series Controls.

HOW TO ORDER

Some parts are sold separately. Other items are available as part of a kit or multiple quantity package. For the best possible service when ordering replacement parts or assemblies, please provide the following information:

- Part number or assembly number
- Description
- Quantity needed
- Finish desired (if available finished)
- Date of original purchase (if known)

To find out the name of your local Von Duprin distributor or sales representative, contact:

Von Duprin Division
 Allegion
 2720 Tobey Drive
 Indianapolis, IN 46219
 Phone: (877) 671-7011

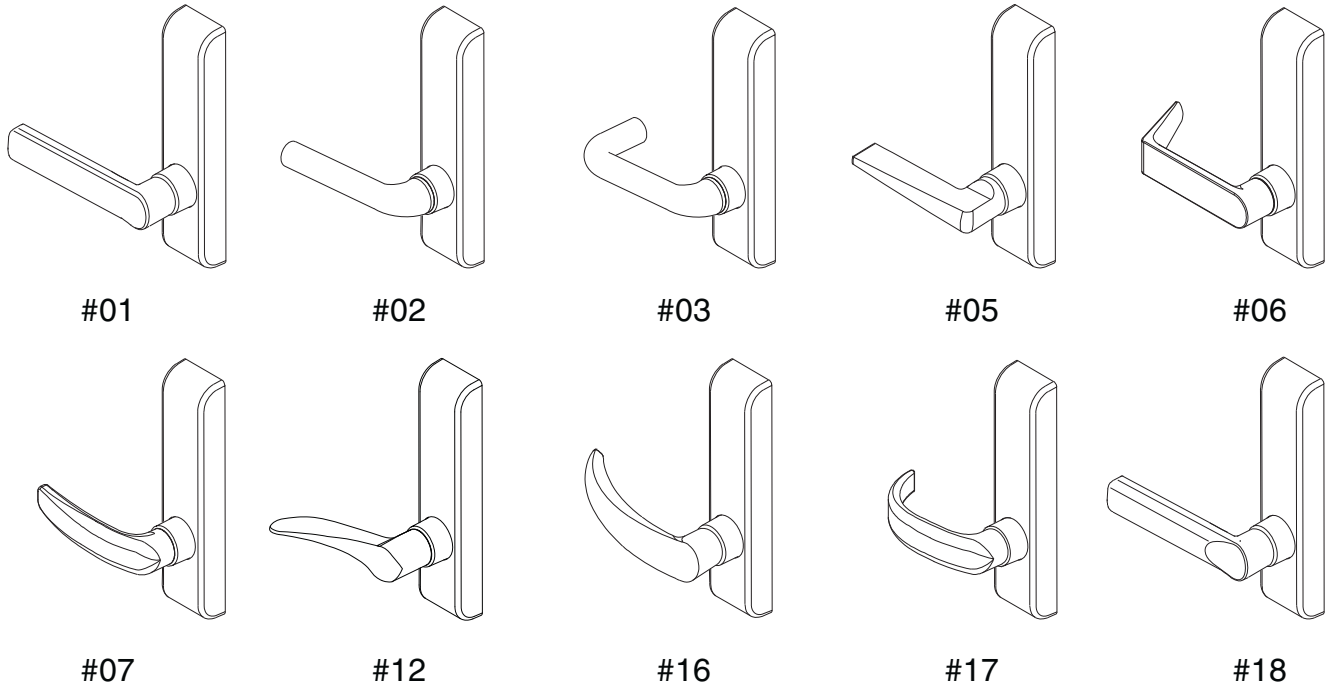
PART NUMBER AND AVAILABILITY CHANGES

This manual was designed to help illustrate the replacement parts and kits that are available for sale. Because of changes to the product and/or manufacturing process, part numbers and availability can change over time.

MOUNTING SCREW PACKAGES

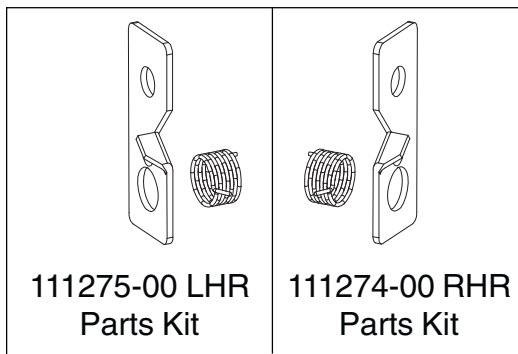
Description	371/373/378 Part number	374/376/377 Part number	375 Part number
Screw Package 1 3/4" Dr	900807	900809	900883
Screw Package 2 1/4" Dr	900808	900810	900884

CONTROL LEVERS

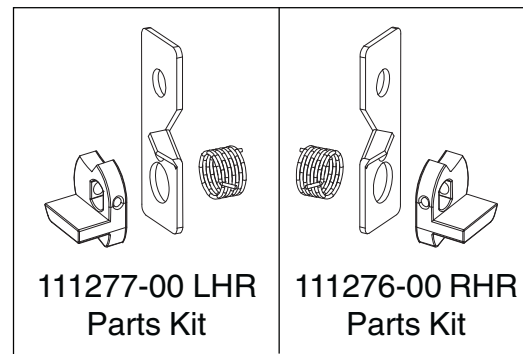


KITS REQUIRED TO CHANGE HANDING ON LEVER CONTROLS

370-L/371-L/373-L



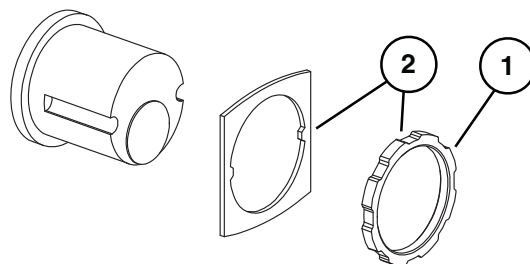
372-L



CYLINDER MOUNT ACCESSORIES

Item No.	Quantity	Part No.	Description	Finish
1	1	050526	Cylinder Locknut	
2	1	109111	Cylinder Locknut & Washer	

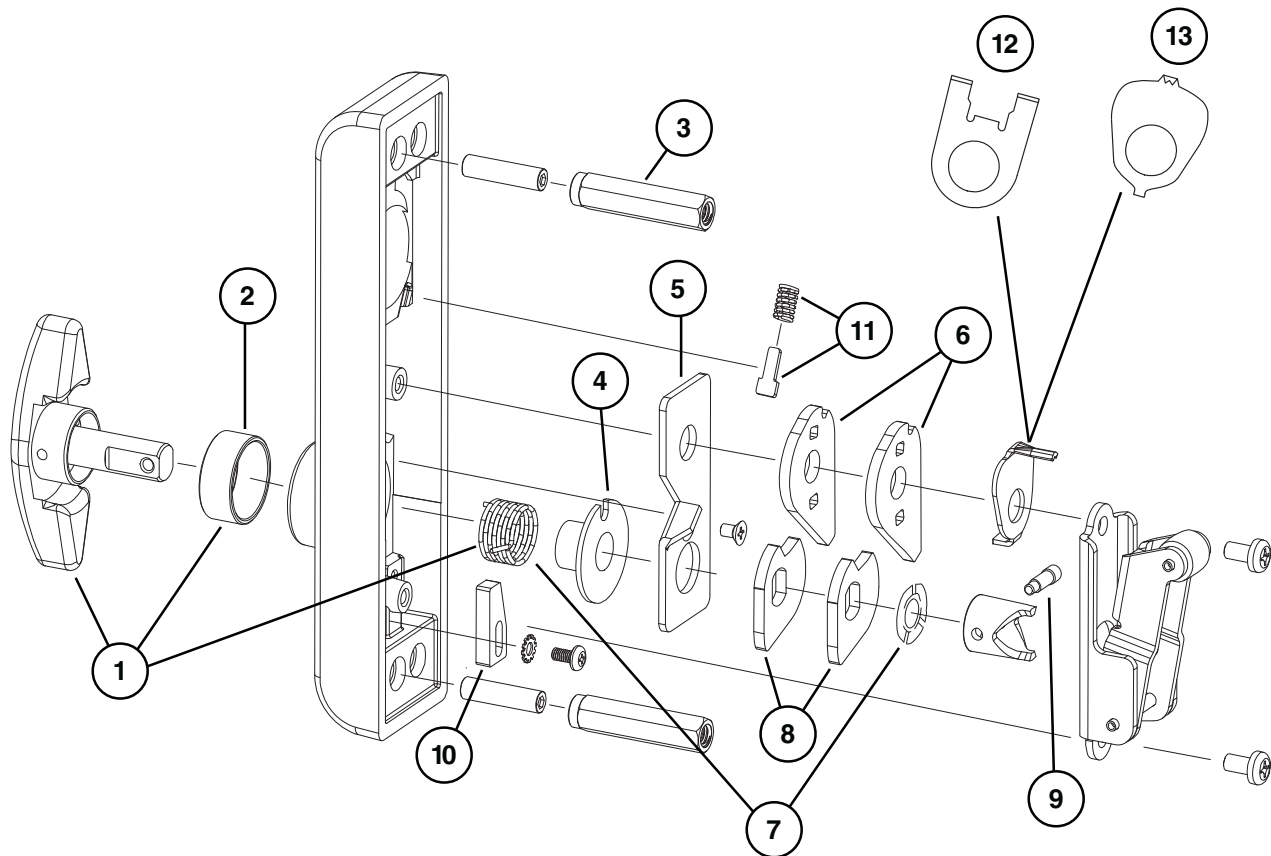
Note: 360 series trims require locknut only, 370 series require washer & locknut



370-T & 370-T-BE CONTROL

Item No.	Quantity	Part No.	Description	Finish
1	1	050592	Thumbturn Kit	X
2	1	050619	Thumbturn Sleeve	
3	2	090096	Mounting Stud Pkg/2	
4	1	050621	Washer - Bearing	
5	1	050597	Backplate RHR	
6	2	090090	Cylinder Lock Pkg/2 (Not used on BE)	
7	1	050616	Thumbturn Control Spring & Washer Kit	
8	2	050602	Lever Shaft Lock	
9	1	090097	Cam Retaining Screw Pkg/4	
10	1	050576	Lever Adjustment Block	
11	1	050607	Dogging Spring and Guide Kit (Not used on BE)	
12	1	050599	NL Cylinder Plate (Not used on BE)	
13	1	050600	TL Cylinder Plate (Not used on BE)	

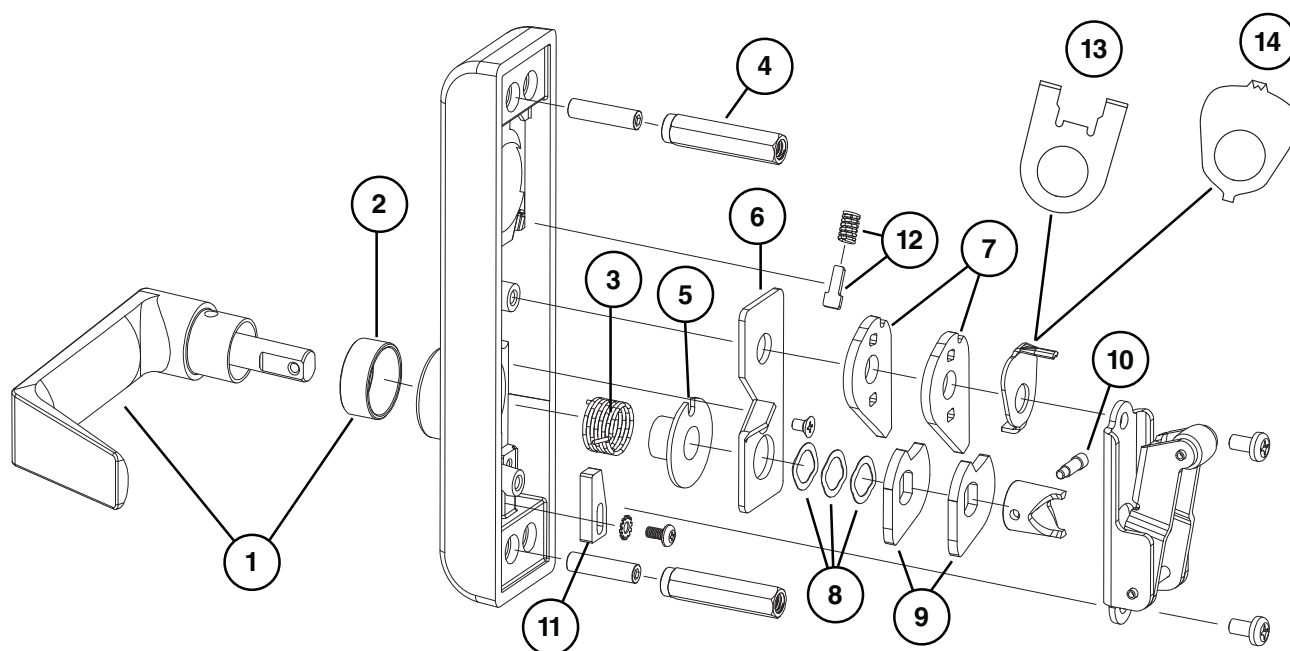
X in "Finish" column designates finished items; finish must be specified when ordering.



370-L & 370-L-BE CONTROL

Item No.	Quantity	Part No.	Description	Finish
1	1	050750	#01 Lever Kit	X
1	1	050752	#02 Lever Kit	X
1	1	050754	#03 Lever Kit	X
1	1	050756	#06 Lever Kit	X
1	1	050758	#07 Lever Kit	X
1	1	050760	#17 Lever Kit	X
1	1	050762	#12 Lever RHR Kit	X
1	1	050764	#12 Lever LHR Kit	X
2	1	050601	Lever Bushing	
3	1	090092	Lever Control Spring RHR Pkg/4	
3	1	090091	Lever Control Spring LHR Pkg/4	
4	2	090096	Mounting Stud Pkg/2	
5	1	050621	Washer - Bearing	
6	1	050597	Backplate RHR	
6	1	050596	Backplate LHR	
7	2	090090	Cylinder Lock Pkg/2 (Not used on BE)	
8	3	090103	Washer - Wave Spring Pkg/10	
9	2	050602	Lever Shaft Lock	
10	1	090097	Cam Retaining Screw Pkg/4	
11	1	050576	Lever Adjustment Block	
12	1	050607	Dogging Spring and Guide Kit (Not used on BE)	
13	1	050599	NL Cylinder Plate (Not used on BE)	
14	1	050600	TL Cylinder Plate (Not used on BE)	

X in "Finish" column designates finished items; finish must be specified when ordering.



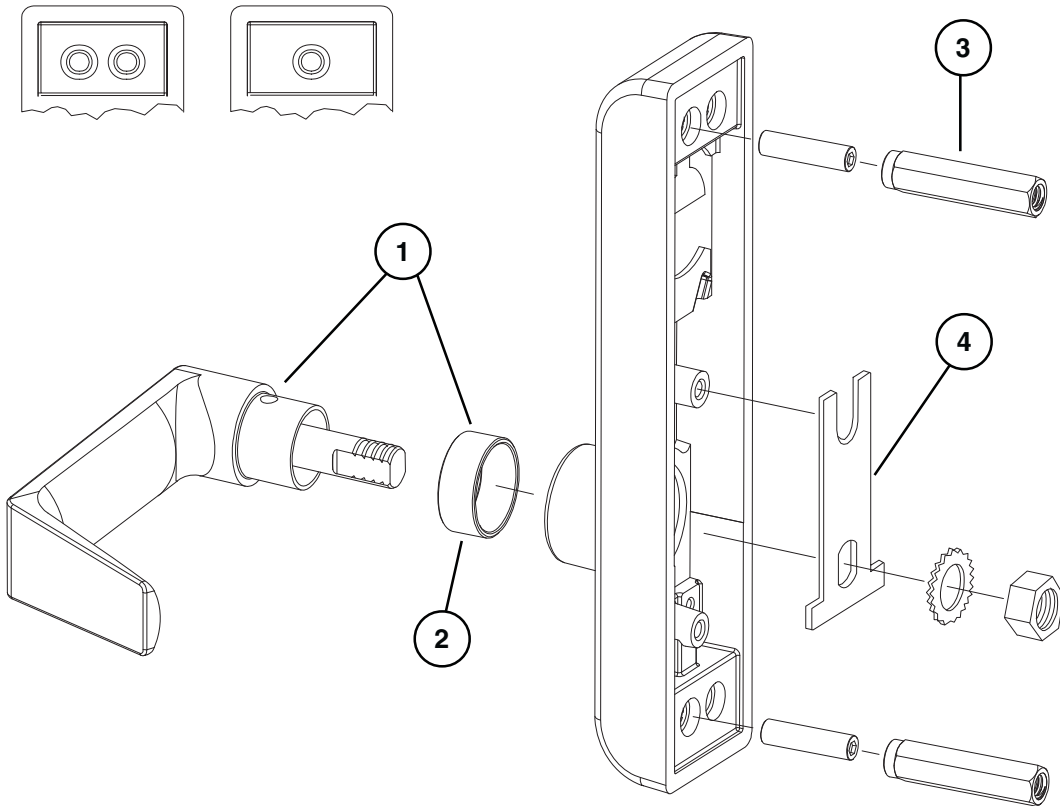
370-L-DT & 372-L-DT CONTROL

Item No.	Quantity	Part No.	Description	Finish
1	1	050751	#01 DT Lever Kit	X
1	1	050753	#02 DT Lever Kit	X
1	1	050755	#03 DT Lever Kit	X
1	1	050757	#06 DT Lever Kit	X
1	1	050759	#07 DT Lever Kit	X
1	1	050761	#17 DT Lever Kit	X
1	1	050763	#12 DT Lever RHR Kit	X
1	1	050765	#12 DT Lever LHR Kit	X
2	1	050601	Lever Bushing	
3	2	090096	Mounting Stud Pkg/2	
4	1	050598	Backplate - L-DT	

X in "Finish" column designates finished items; finish must be specified when ordering.

372-L-DT

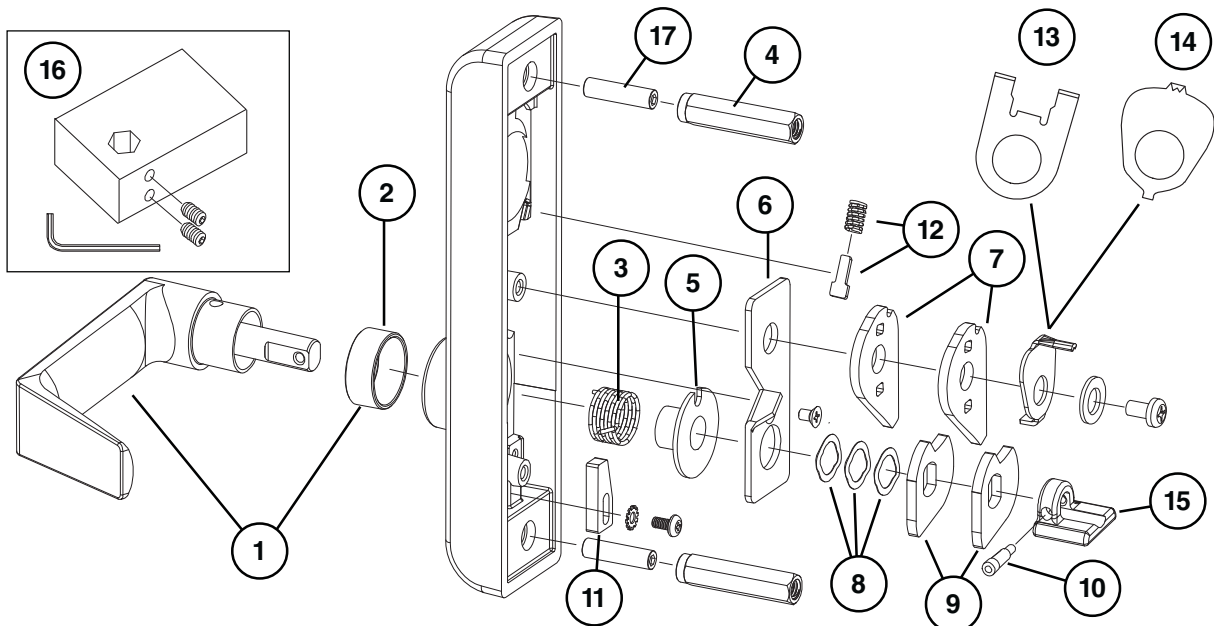
372-L-DT 370-L-DT



371-L & 371-L-BE CONTROL

Item No.	Quantity	Part No.	Description	Finish
1	1	050750	#01 Lever Kit	X
1	1	050752	#02 Lever Kit	X
1	1	050754	#03 Lever Kit	X
1	1	050756	#06 Lever Kit	X
1	1	050758	#07 Lever Kit	X
1	1	050760	#17 Lever Kit	X
1	1	050762	#12 Lever RHR Kit	X
1	1	050764	#12 Lever LHR Kit	X
2	1	050601	Lever Bushing	
3	1	090092	Lever Control Spring RHR Pkg/4	
3	1	090091	Lever Control Spring LHR Pkg/4	
4	2	090095	Mounting Stud Pkg/2	
5	1	050621	Washer - Bearing	
6	1	050597	Backplate RHR	
6	1	050596	Backplate LHR	
7	2	090090	Cylinder Lock Pkg/2 (Not used on BE)	
8	3	090103	Washer - Wave Spring Pkg/10	
9	2	050602	Lever Shaft Lock	
10	1	090097	Cam Retaining Screw Pkg/4	
11	1	050576	Lever Adjustment Block	
12	1	050607	Dogging Spring and Guide Kit (Not used on BE)	
13	1	050599	NL Cylinder Plate (Not used on BE)	
14	1	050600	TL Cylinder Plate (Not used on BE)	
15	1	050606	Cam - Vertical Rod	
16	1	109126	371-L Rod Member Kit 1-3/4" Dr	
16	1	109127	371-L Rod Member Kit 2-1/4" Dr	
17	2	963584	Threaded Studs	

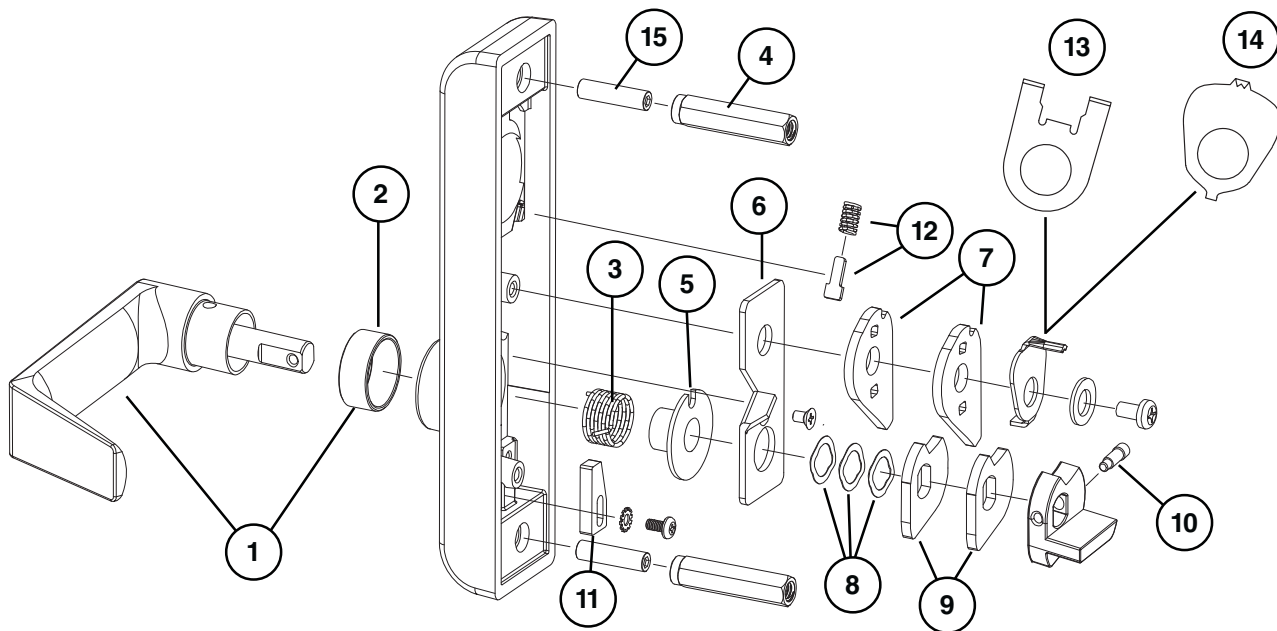
X in "Finish" column designates finished items; finish must be specified when ordering.



372-L & 372-L-BE CONTROL

Item No.	Quantity	Part No.	Description	Finish
1	1	050750	#01 Lever Kit	X
1	1	050752	#02 Lever Kit	X
1	1	050754	#03 Lever Kit	X
1	1	050756	#06 Lever Kit	X
1	1	050758	#07 Lever Kit	X
1	1	050760	#17 Lever Kit	X
1	1	050762	#12 Lever RHR Kit	X
1	1	050764	#12 Lever LHR Kit	X
2	1	050601	Lever Bushing	
3	1	090092	Lever Control Spring RHR Pkg/4	
3	1	090091	Lever Control Spring LHR Pkg/4	
4	2	090096	Mounting Stud Pkg/2	
5	1	050621	Washer - Bearing	
6	1	050597	Backplate RHR	
6	1	050596	Backplate LHR	
7	2	090090	Cylinder Lock Pkg/2 (Not used on BE)	
8	3	090103	Washer - Wave Spring Pkg/10	
9	2	050602	Lever Shaft Lock	
10	1	090097	Cam Retaining Screw Pkg/4	
11	1	050576	Lever Adjustment Block	
12	1	050607	Dogging Spring and Guide Kit (Not used on BE)	
13	1	050599	NL Cylinder Plate (Not used on BE)	
14	1	050600	TL Cylinder Plate (Not used on BE)	
15	2	963584	Threaded Studs	

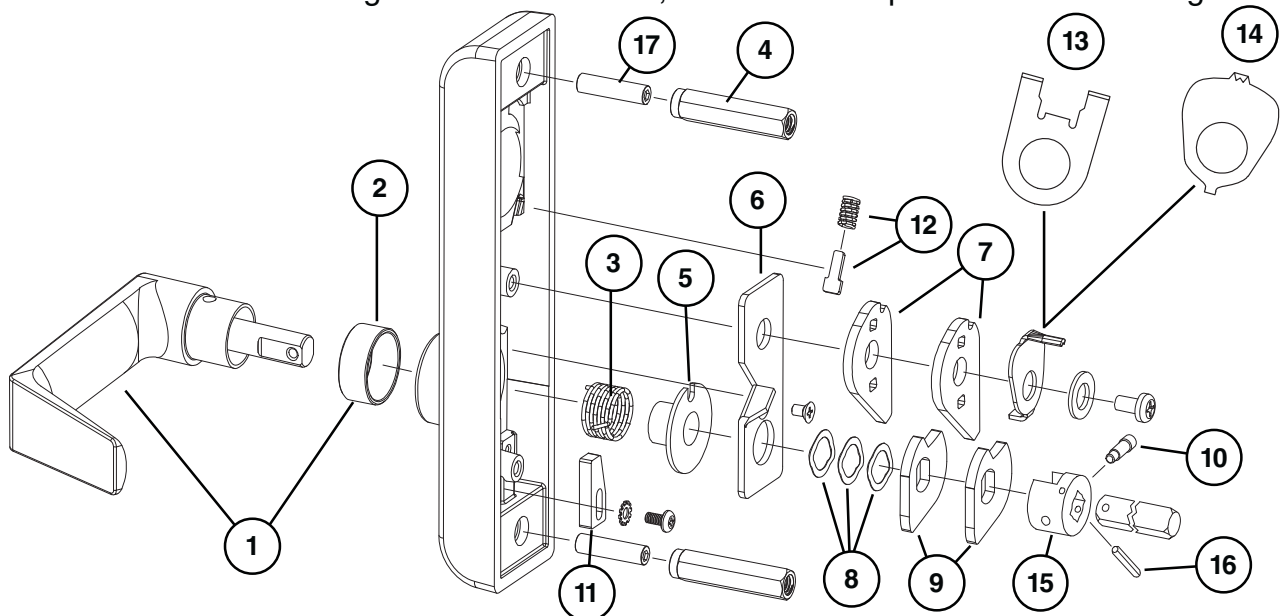
X in "Finish" column designates finished items; finish must be specified when ordering.



373-L & 373-L-BE CONTROL

Item No.	Quantity	Part No.	Description	Finish
1	1	050750	#01 Lever Kit	X
1	1	050752	#02 Lever Kit	X
1	1	050754	#03 Lever Kit	X
1	1	050756	#06 Lever Kit	X
1	1	050758	#07 Lever Kit	X
1	1	050760	#17 Lever Kit	X
1	1	050762	#12 Lever RHR Kit	X
1	1	050764	#12 Lever LHR Kit	X
2	1	050601	Lever Bushing	
3	1	090092	Lever Control Spring RHR Pkg/4	
3	1	090091	Lever Control Spring LHR Pkg/4	
4	2	090095	Mounting Stud Pkg/2	
5	1	050621	Washer - Bearing	
6	1	050597	Backplate RHR	
6	1	050596	Backplate LHR	
7	2	090090	Cylinder Lock Pkg/2 (Not used on BE)	
8	3	090103	Washer - Wave Spring Pkg/10	
9	2	050602	Lever Shaft Lock	
10	1	090097	Cam Retaining Screw Pkg/4	
11	1	050576	Lever Adjustment Block	
12	1	050607	Dogging Spring and Guide Kit (Not used on BE)	
13	1	050599	NL Cylinder Plate (Not used on BE)	
14	1	050600	TL Cylinder Plate (Not used on BE)	
15	1	050609	Mortise Adaptor	
16	1	090098	Pin - Spiral 3/32 x 19/32 Pkg/4	
17	2	963584	Threaded Studs	

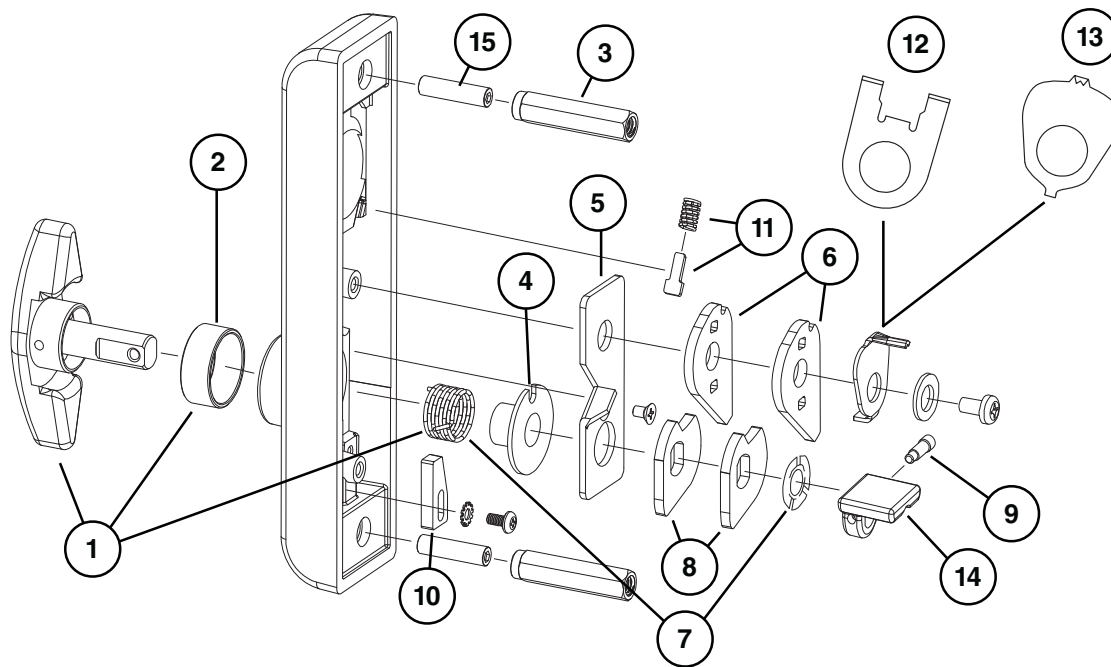
X in "Finish" column designates finished items; finish must be specified when ordering.



374-T, 374-T-BE, 376-T, 376-T-BE, 376-T-WDC & 376-T-WDC-BE CONTROL

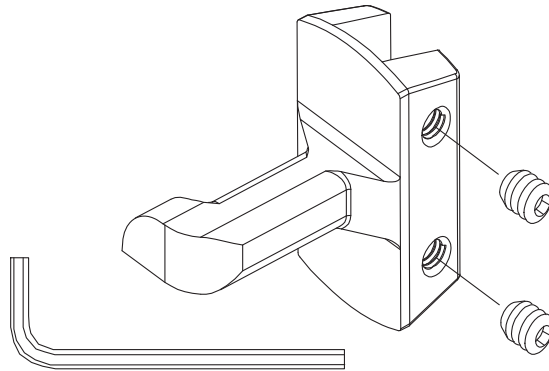
Item No.	Quantity	Part No.	Description	Finish
1	1	050592	Thumbturn Kit	X
2	1	050619	Thumbturn Sleeve	
3	2	090096	Mounting Stud Pkg/2	
4	1	050621	Washer - Bearing	
5	1	050597	Backplate RHR	
5	1	050596	Backplate LHR	
6	2	090090	Cylinder Lock Pkg/2 (Not used on BE)	
7	1	050616	Thumbturn Control Spring & Washer Kit	
8	2	050602	Lever Shaft Lock	
9	1	090097	Cam Retaining Screw Pkg/4	
10	1	050576	Lever Adjustment Block	
11	1	050607	Dogging Spring and Guide Kit (Not used on BE)	
12	1	050599	NL Cylinder Plate (Not used on BE)	
13	1	050600	TL Cylinder Plate (Not used on BE)	
14	1	050606	Cam - Vertical Rod	
15	2	963584	Threaded Studs	

X in "Finish" column designates finished items; finish must be specified when ordering.



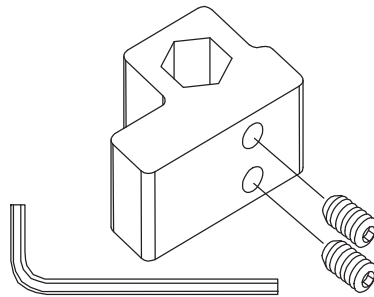
374-T & 374-T-BE ROD MEMBER KITS

Item No.	Quantity	Part No.	Description	Finish
16	1	109366	374-T Rod Member Kit 1-3/4" Dr.	X
16	1	109367	374-T Rod Member Kit 2-1/4" Dr.	X



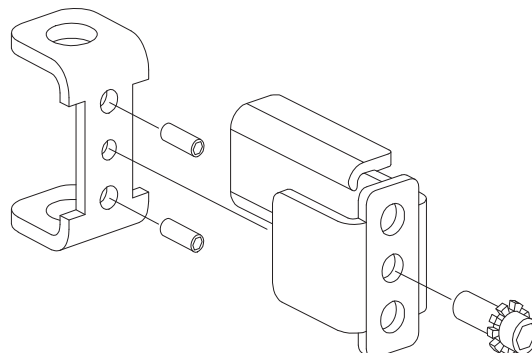
376-T & 376-T-BE ROD MEMBER KITS

Item No.	Quantity	Part No.	Description	Finish
17	1	109112	376-T Rod Member Kit 1-3/4" Dr.	X
17	1	109115	376-T Rod Member Kit 2-1/4" Dr.	X



376-T-WDC & 376-T-WDC-BE ROD MEMBER KITS

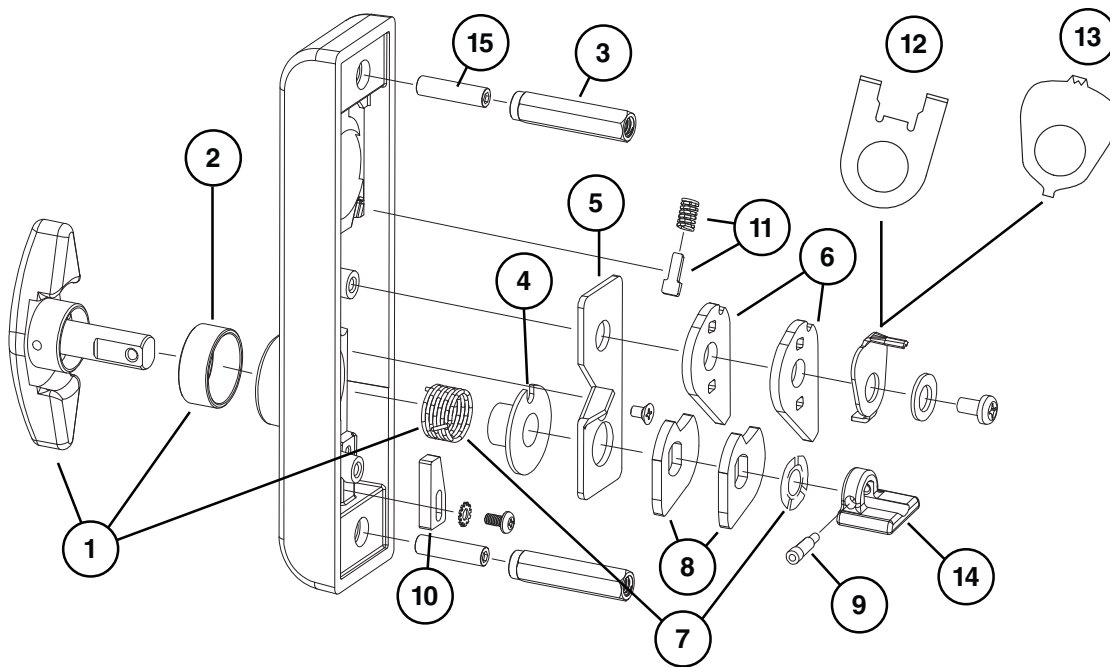
Item No.	Quantity	Part No.	Description	Finish
18	1	900558	376-T-WDC Rod Member Kit 1-3/4" Dr.	
18	1	900559	376-T -WDC Rod Member Kit 2-1/4" Dr.	



377-T & 377-T-BE CONTROL

Item No.	Quantity	Part No.	Description	Finish
1	1	050592	Thumbturn Kit	X
2	1	050619	Thumbturn Sleeve	
3	2	090096	Mounting Stud Pkg/2	
4	1	050621	Washer - Bearing	
5	1	050597	Backplate RHR	
5	1	050596	Backplate LHR	
6	2	090090	Cylinder Lock Pkg/2 (Not used on BE)	
7	1	050616	Thumbturn Control Spring & Washer Kit	
8	2	050602	Lever Shaft Lock	
9	1	090097	Cam Retaining Screw Pkg/4	
10	1	050576	Lever Adjustment Block	
11	1	050607	Dogging Spring and Guide Kit (Not used on BE)	
12	1	050599	NL Cylinder Plate (Not used on BE)	
13	1	050600	TL Cylinder Plate (Not used on BE)	
14	1	050606	Cam - Vertical Rod	
15	2	963584	Threaded Studs	

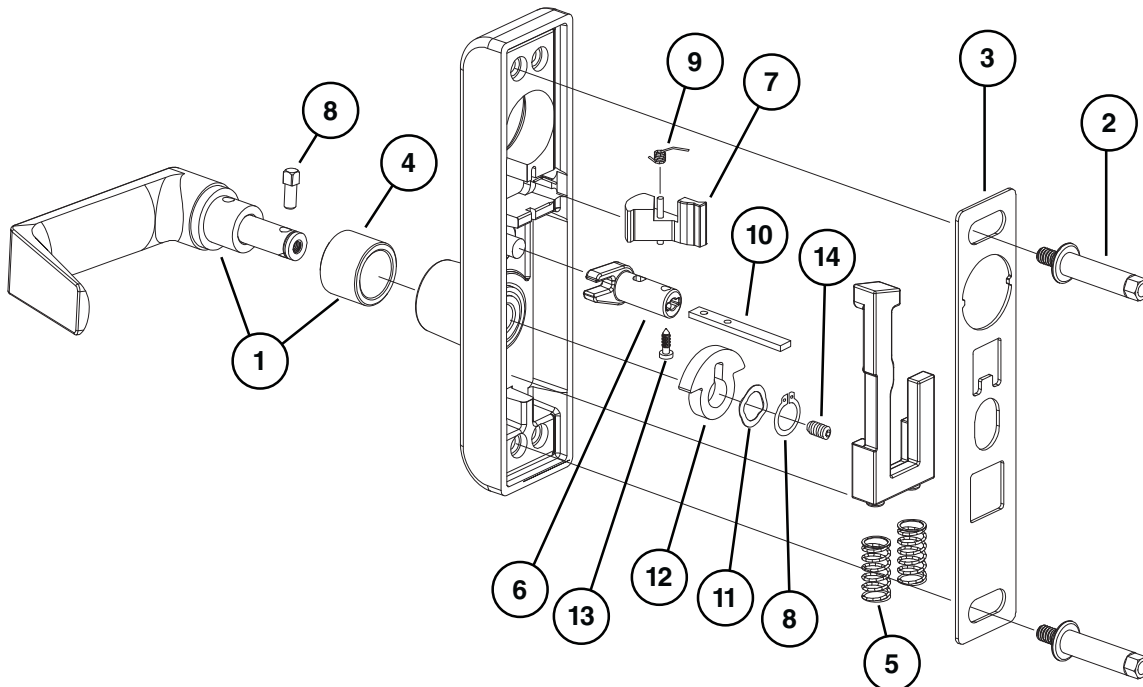
X in "Finish" column designates finished items; finish must be specified when ordering.



360-L & 360-L-BE CONTROL

Item No.	Quantity	Part No.	Description	Finish
1	1	050001	#01 Lever Kit	X
1	1	050002	#02 Lever Kit	X
1	1	050003	#03 Lever Kit	X
1	1	050008	#05 Lever Kit	X
1	1	050006	#06 Lever Kit	X
1	1	050007	#07 Lever Kit	X
1	1	050012	#12 Lever RHR Kit	X
1	1	050013	#12 Lever LHR Kit	X
1	1	050009	#16 Lever Kit	X
1	1	050017	#17 Lever Kit	X
1	1	050010	#18 Lever Kit	X
2	2	090094	Mounting Stud Pkg/2	
3	1	050595	Backplate	
4	1	050579	Lever Bushing	
5	2	090093	Lever Return Spring Pkg/2	
6	1	050605	Cam - Output	
7	1	050608	Locking Member (Not used on BE)	
8	1	050611	Shear Pin Kit	
9	1	050615	Spring - Locking Torsion (Not used on BE)	
10	1	050587	Tailpiece	
11	1	090103	Washer - Wave Spring Pkg/10	
12	1	050604	Cam - Input	
13	1	090099	Pine Tree Clip Pkg/10	
14	1	090101	Socket Set Screw 10-32 x 1/4 Pkg/10	

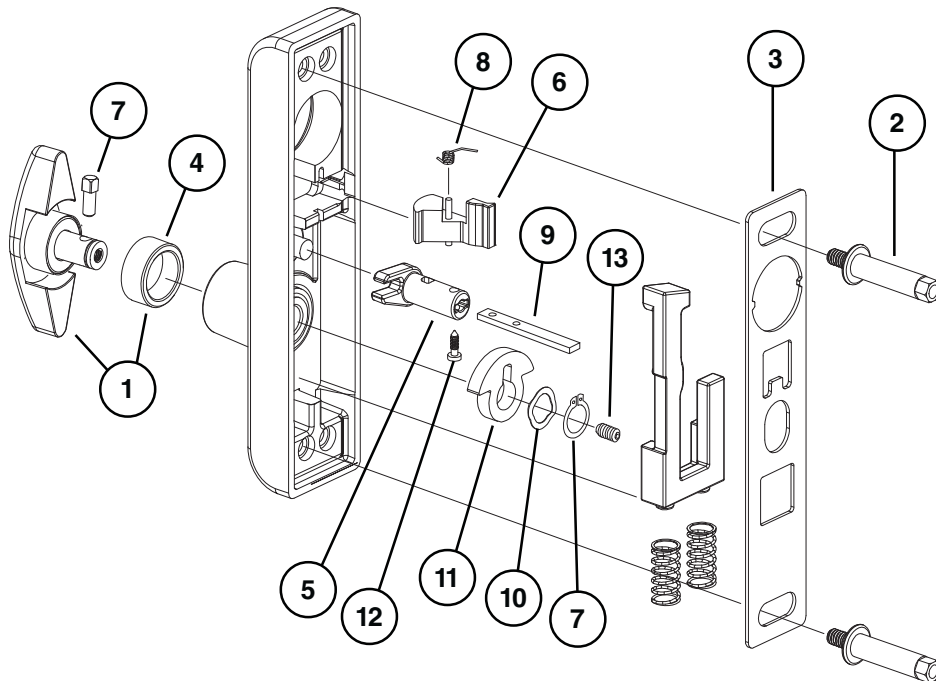
X in "Finish" column designates finished items; finish must be specified when ordering.



360-T & 360-T-BE CONTROL

Item No.	Quantity	Part No.	Description	Finish
1	1	050593	Thumbturn Kit	X
2	2	090094	Mounting Stud Pkg/2	
3	1	050595	Backplate	
4	1	050579	Lever Bushing	
5	1	050605	Cam - Output	
6	1	050608	Locking Member (Not used on BE)	
7	1	050611	Shear Pin Kit	
8	1	050615	Spring - Locking Torsion (Not used on BE)	
9	1	050587	Tailpiece	
10	1	090103	Washer - Wave Spring Pkg/10	
11	1	050604	Cam - Input	
12	1	090099	Pine Tree Clip Pkg/10	
13	1	090101	Socket Set Screw 10-32 x 1/4 Pkg/10	

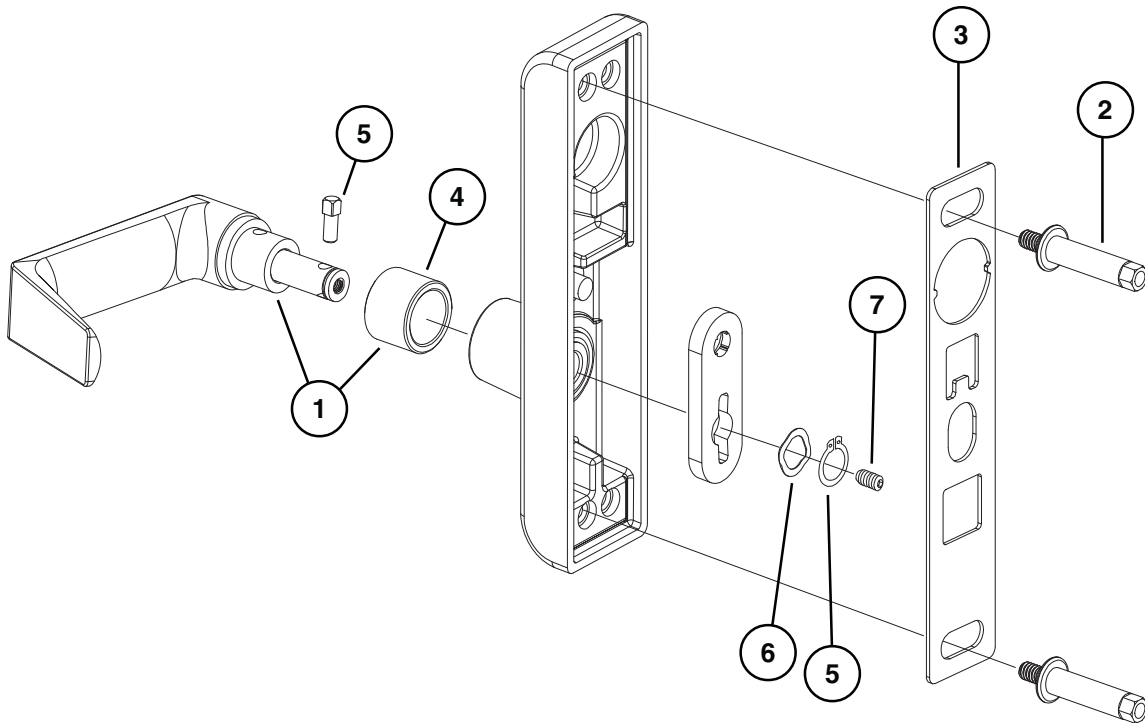
X in "Finish" column designates finished items; finish must be specified when ordering.



360-L-DT CONTROL

Item No.	Quantity	Part No.	Description	Finish
1	1	050001	#01 Lever Kit	X
1	1	050002	#02 Lever Kit	X
1	1	050003	#03 Lever Kit	X
1	1	050008	#05 Lever Kit	X
1	1	050006	#06 Lever Kit	X
1	1	050007	#07 Lever Kit	X
1	1	050012	#12 Lever RHR Kit	X
1	1	050013	#12 Lever LHR Kit	X
1	1	050009	#16 Lever Kit	X
1	1	050017	#17 Lever Kit	X
1	1	050010	#18 Lever Kit	X
2	2	090094	Mounting Stud Pkg/2	
3	1	050595	Backplate	
4	1	050579	Lever Bushing	
5	1	050611	Shear Pin Kit	
6	1	090103	Washer - Wave Spring Pkg/10	
7	1	090101	Socket Set Screw 10-32 x 1/4 Pkg/10	

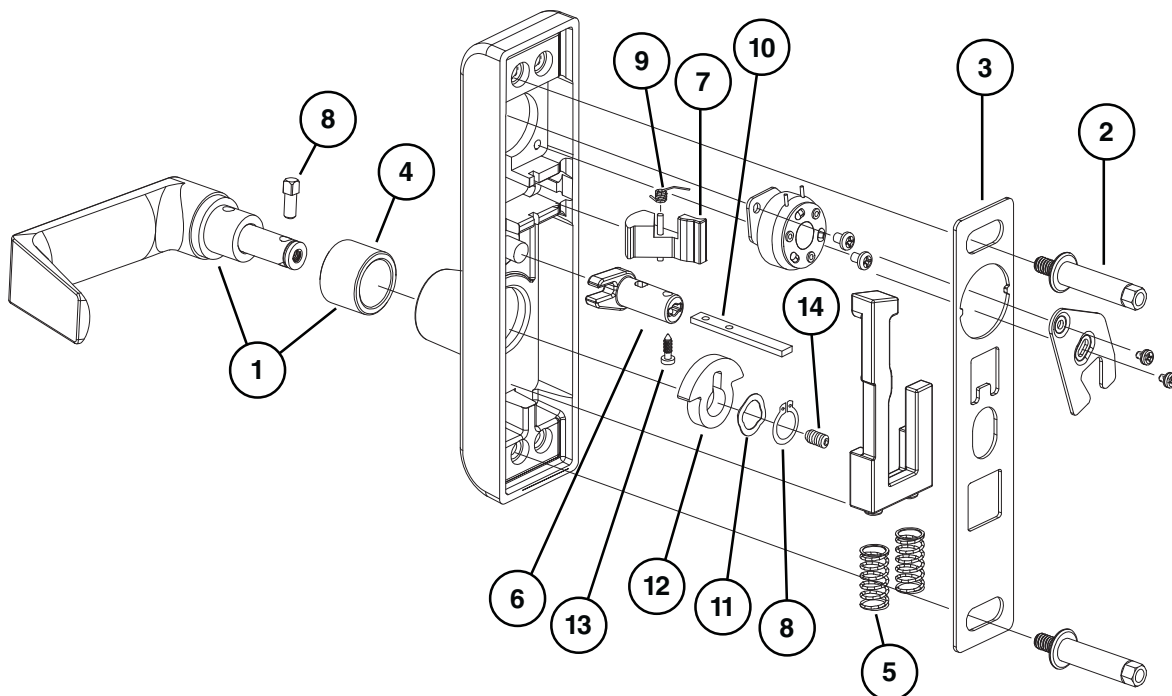
X in "Finish" column designates finished items; finish must be specified when ordering.



E360-L-BE CONTROL

Item No.	Quantity	Part No.	Description	Finish
1	1	050001	#01 Lever Kit	X
1	1	050002	#02 Lever Kit	X
1	1	050003	#03 Lever Kit	X
1	1	050008	#05 Lever Kit	X
1	1	050006	#06 Lever Kit	X
1	1	050007	#07 Lever Kit	X
1	1	050012	#12 Lever RHR Kit	X
1	1	050013	#12 Lever LHR Kit	X
1	1	050009	#16 Lever Kit	X
1	1	050017	#17 Lever Kit	X
1	1	050010	#18 Lever Kit	X
2	2	090094	Mounting Stud Pkg/2	
3	1	050595	Backplate	
4	1	050579	Lever Bushing	
5	2	090093	Lever Return Spring Pkg/2	
6	1	050605	Cam - Output	
7	1	050608	Locking Member (Not used on BE)	
8	1	050611	Shear Pin Kit	
9	1	050615	Spring - Locking Torsion (Not used on BE)	
10	1	050587	Tailpiece	
11	1	090103	Washer - Wave Spring Pkg/10	
12	1	050604	Cam - Input	
13	1	090099	Pine Tree Clip Pkg/10	
14	1	090101	Socket Set Screw 10-32 x 1/4 Pkg/10	

X in "Finish" column designates finished items; finish must be specified when ordering.



About Allegion

Allegion (NYSE: ALLE) creates peace of mind by pioneering safety and security. As a \$2 billion provider of security solutions for homes and businesses, Allegion employs more than 7,800 people and sells products in more than 120 countries across the world. Allegion comprises 23 global brands, including strategic brands CISA®, Interflex®, LCN®, Schlage® and Von Duprin®.

For more, visit www.allegion.com.

aptiQ ■ LCN ■ **SCHLAGE** ■ STEELCRAFT ■ VON DUPRIN