



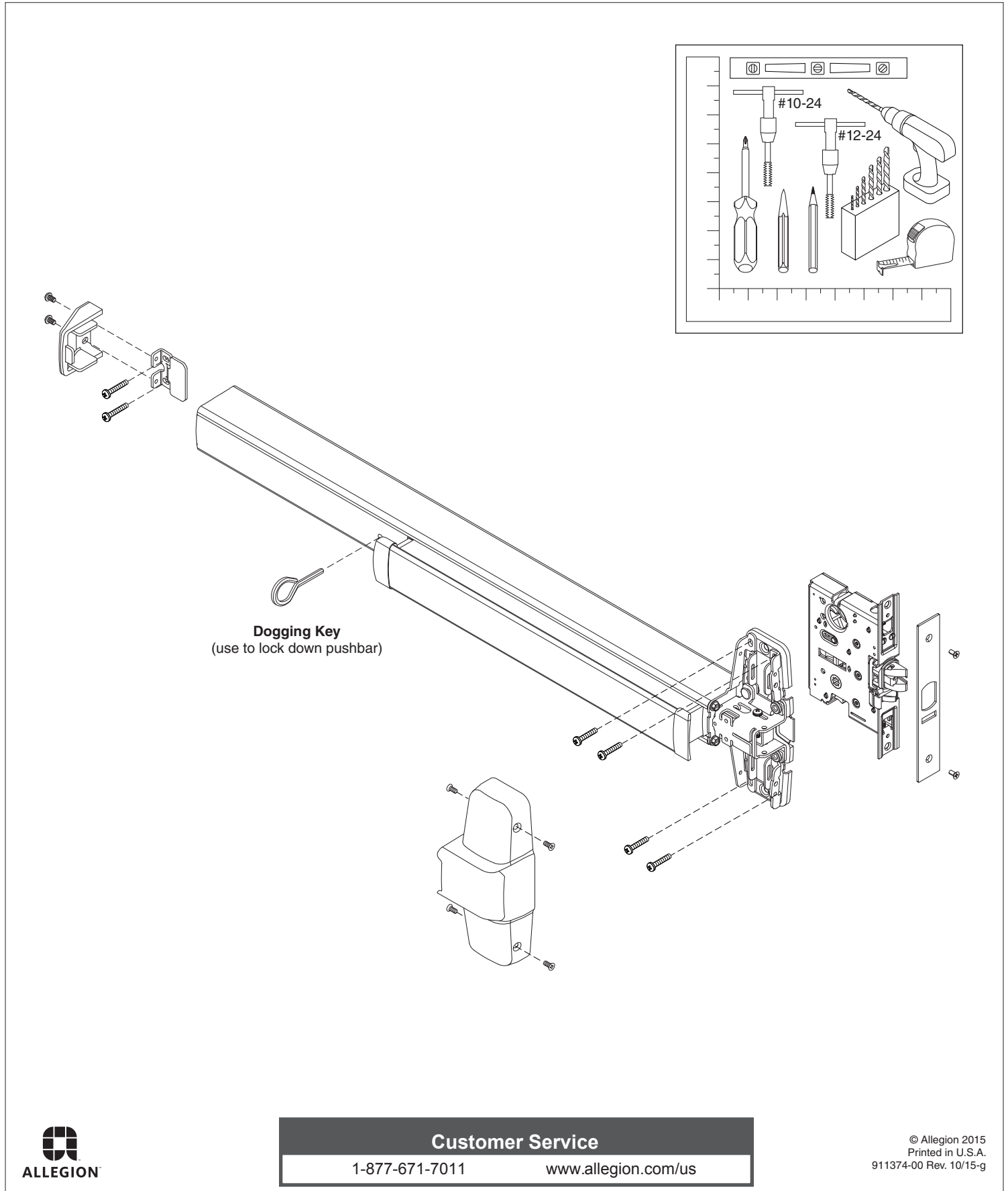
911374-00

9875/9975

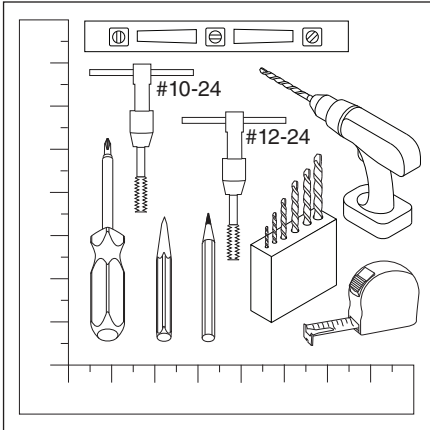
VON DUPRIN®

Mortise Exit Device

Installation Instructions



**Dogging Key**  
(use to lock down pushbar)



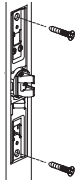
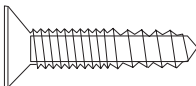
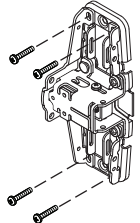
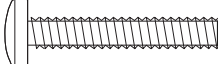
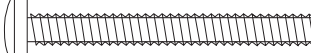
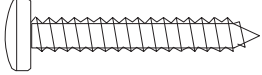
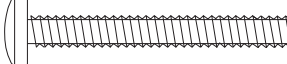
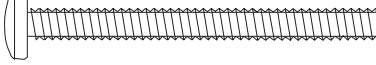

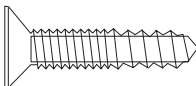

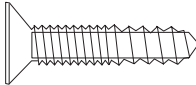
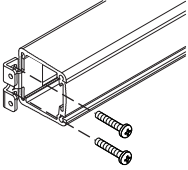
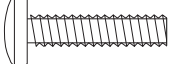
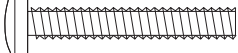
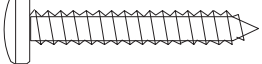
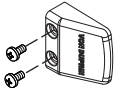
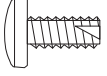
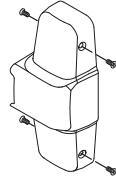
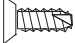
Customer Service

1-877-671-7011

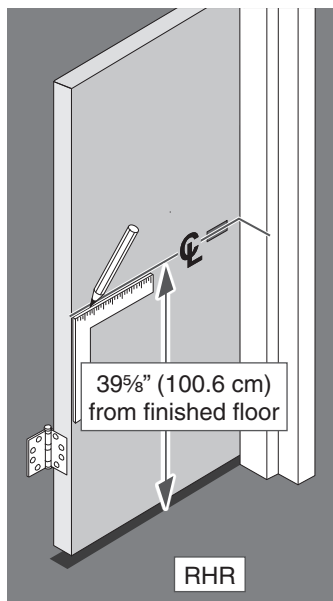
[www.allegion.com/us](http://www.allegion.com/us)

© Allegion 2015  
Printed in U.S.A.  
911374-00 Rev. 10/15-g

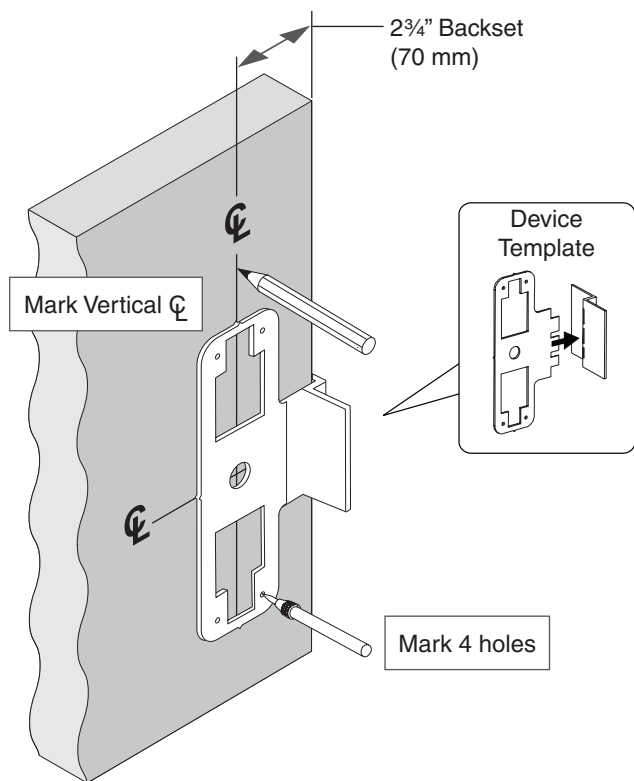
## SCREW CHART

Subassembly	Screw	Application
<b>A</b> 	 <p>#12-12 x 12-24 x 1" (25 mm) Combination</p>	Metal or wood door
<b>B</b> 	 <p>#10-24 x 1" (25 mm)</p>  <p>#10-24 x 1 1/2" (38 mm)</p>  <p>#10 x 1 1/4" (32 mm) Wood screw</p> <p>Packaged with 990 Trims:</p>  <p>#10-24 x 1 3/8" (35 mm)</p>  <p>#10-24 x 1 7/8" (48 mm)</p>	<p>Surface mount or Sex bolts 1 3/4" (44 mm) door</p> <p>Sex bolts, 2 1/4" (57 mm) door</p> <p>Surface mount (wood)</p> <p>1 3/4" (44 mm) door, 990 Trim</p> <p>2 1/4" (57 mm) door, 990 Trim</p>
<b>C</b>  <p>575 Strike      575-2 Strike</p>	 <p>#12-12 x 12-24 x 1" (25 mm) Combination</p>	Metal or wood frame
<b>C</b>  <p>576A Strike      576B Strike</p>	 <p>#12-12 x 12-24 x 1" (25 mm) Combination</p>	Metal or wood door
<b>D</b> 	 <p>#10-24 x 3/4" (19 mm)</p>  <p>#10-24 x 1 1/8" (29 mm)</p>  <p>#10 x 1 1/4" (32 mm) Wood screw</p>	<p>Surface mount or Sex bolts 1 3/4" (44 mm) door</p> <p>Sex bolts, 2 1/4" (57 mm) door</p> <p>Surface mount (wood)</p>
<b>E</b> 	 <p>#10-16 x 3/8" (10 mm) Thread cutting</p>	End cap
<b>F</b> 	 <p>#8-18 x 3/8" (10 mm) Thread cutting</p>	Center case cover

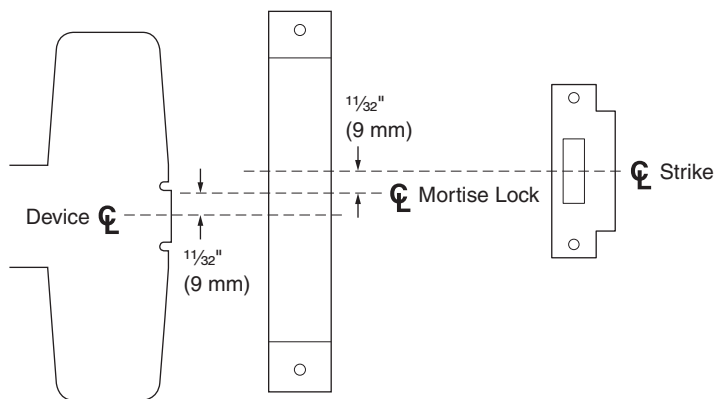
# 1 Draw horizontal device center line (C).



# 2 Position template on C and mark door.

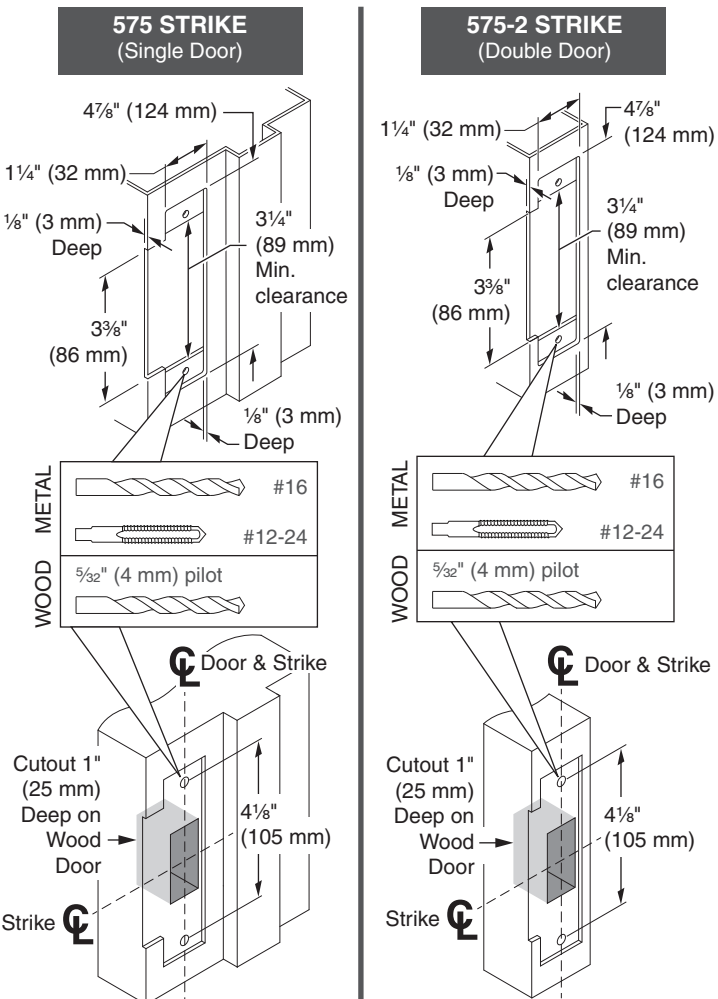


# 3 Locate strike center line (C).



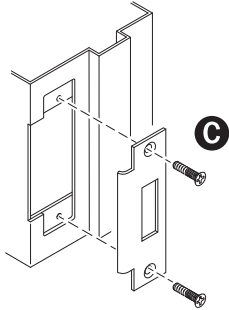
# 4 Prepare the door frame (or other door) for strike.

**i** 575, 575-2 strike shown. For 576A/576B strike preparation, see page 7.



## 5 Install strike.

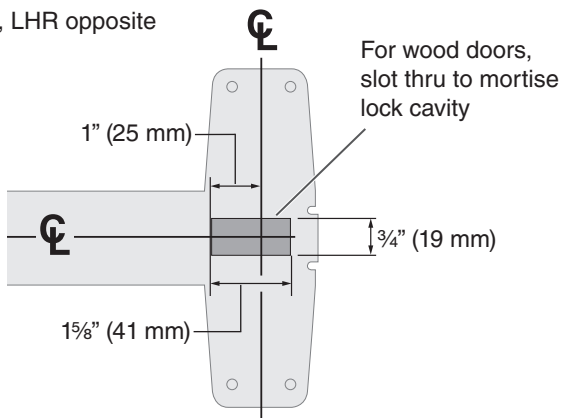
**i** For 576A/576B strike installation, see page 7.



**i** See "Screw Chart" on page 2 for screw types and sizes.

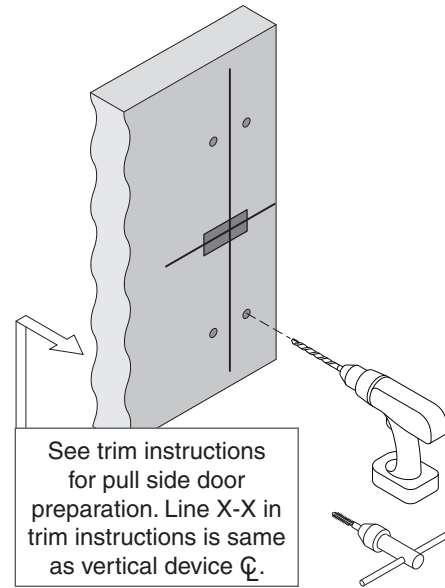
## 6 If necessary, prepare door cutout.

For all 98/9975 devices  
RHR shown, LHR opposite



## 7 Prepare door for device and trim.

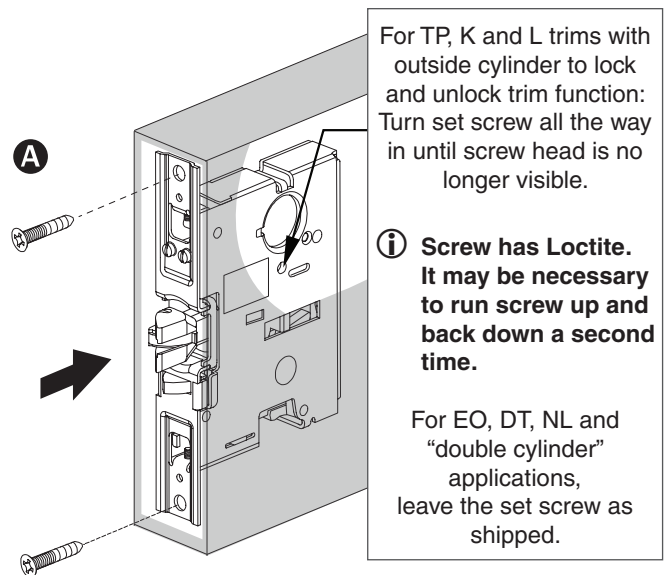
Prepare 4 center case mounting holes.



SURFACE MOUNT		OR	SEX BOLTS or 990 TRIMS	
METAL	#25	---	METAL	1/4" (6 mm) Device Side
	#10-24			1 3/32" (10 mm) Trim Side
WOOD	1/8" (3 mm) x 1" (25 mm) Deep	---	WOOD	1 3/32" (10 mm) Drill Thru

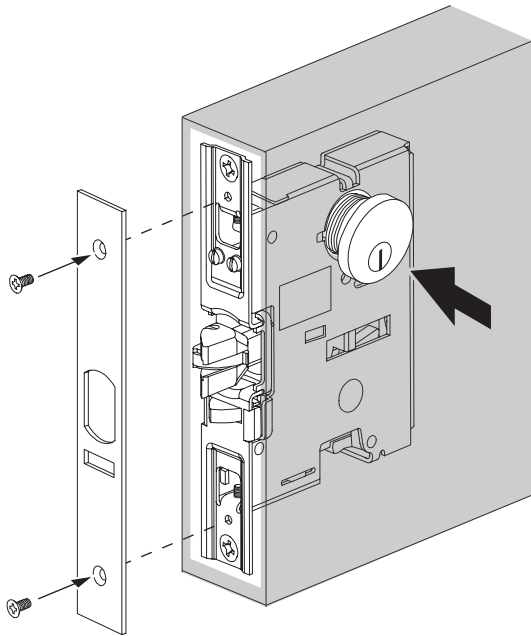
## 8 Install mortise lock into door.

**i** See 7500 mortise lock instruction #941019.

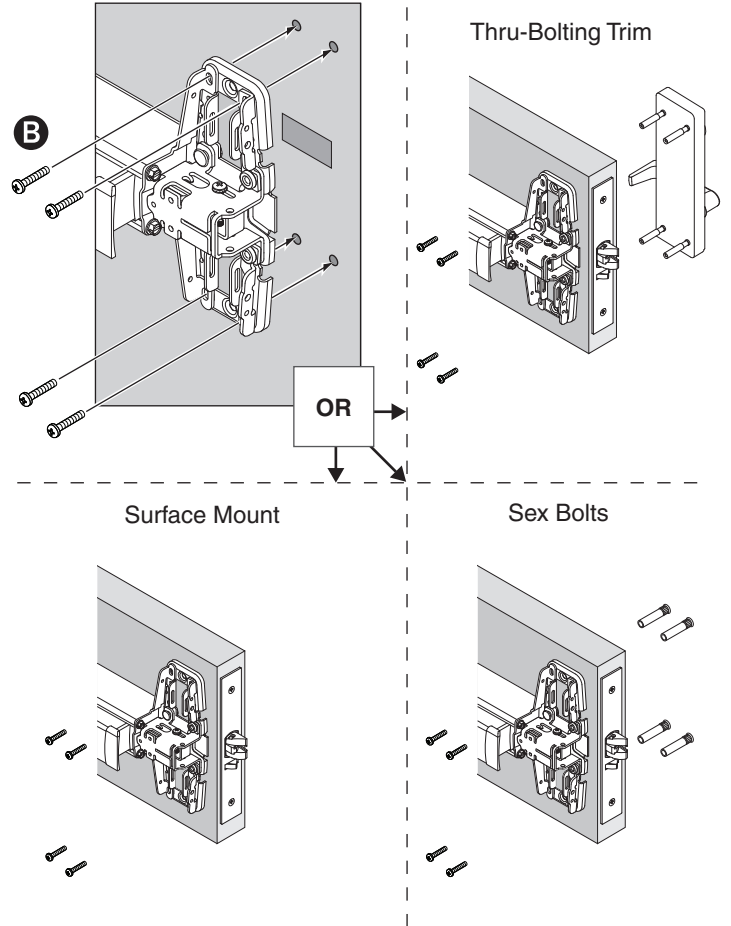


**9** Install outside locking cylinder (if using) and complete installation of mortise lock.

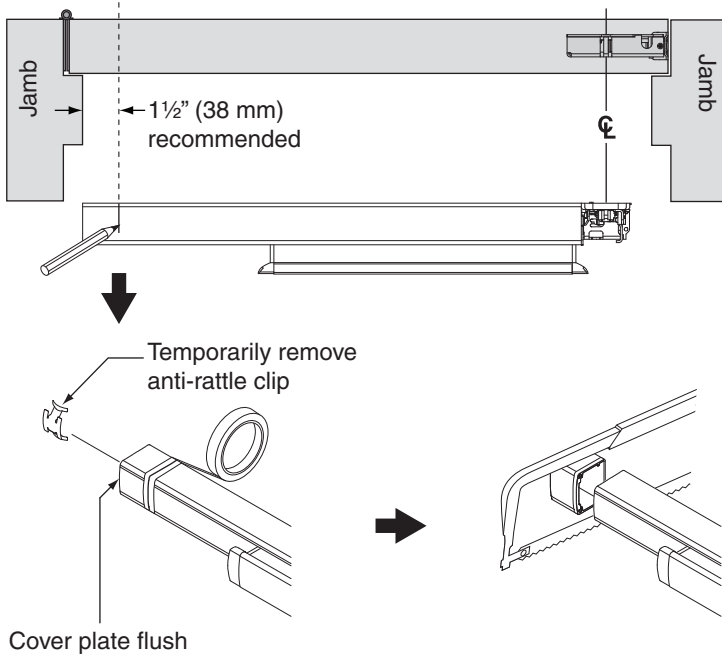
**i** See 7500 mortise lock instruction #941019.



**11** Install trim (if using) and attach center case to door.

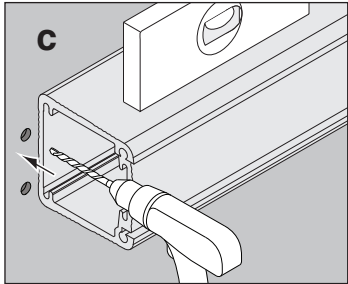
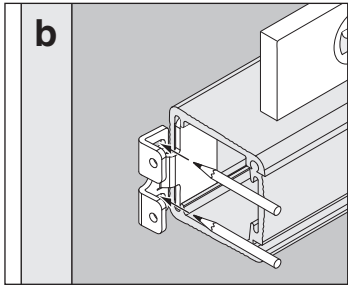
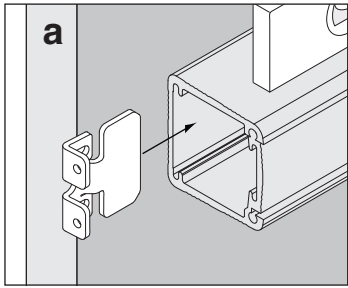


**10** If necessary, cut device.



## 12 Mark and prepare two holes for end cap bracket.

**i** Prepare holes after lock side of device is mounted and hinge side is leveled.



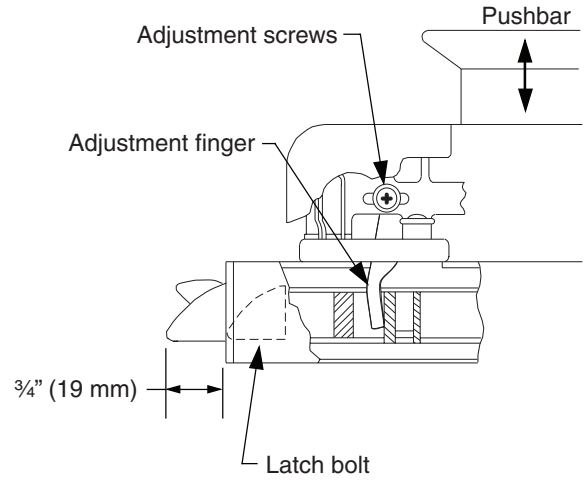
SURFACE MOUNT	
METAL	#25
WOOD	#10-24
	1/8" (3 mm) x 1" (25 mm) Deep

OR

SEX BOLTS	
METAL	1/4" (6 mm) Device Side
	13/32" (10 mm) Trim Side
WOOD	13/32" (10 mm) Drill Thru

## 14 Adjust latch bolt.

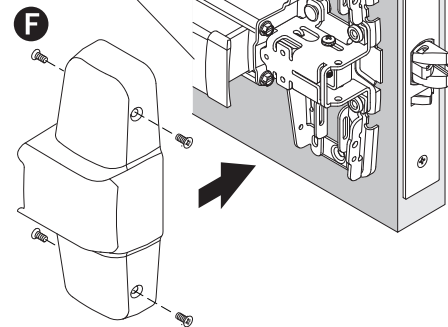
TOP VIEW



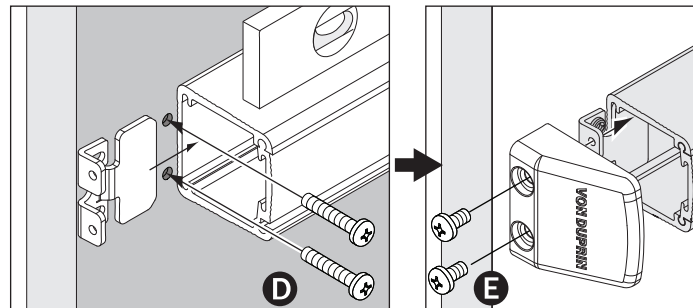
Loosen adjustment screws and adjust finger in or out until latch bolt is fully retracted (with pushbar down) and fully extended 3/4" (with pushbar up).

## 15 Install center case cover.

Remove protective film from pushbar

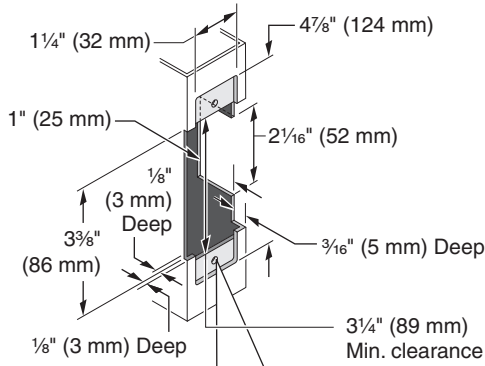
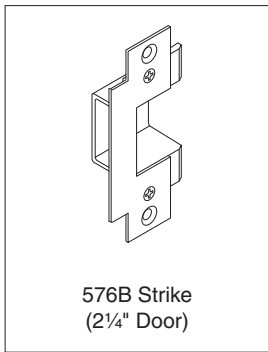
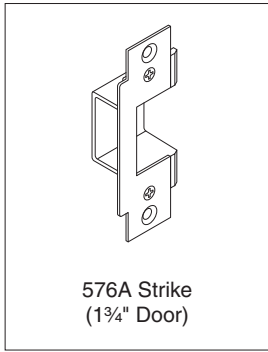


## 13 Install end cap bracket and end cap.

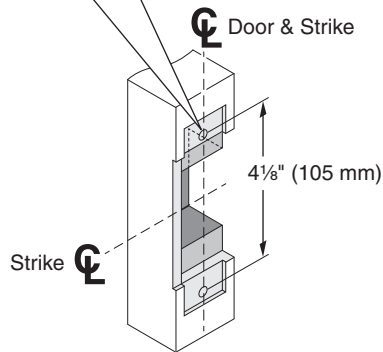


# 576A/576B STRIKE PREPARATION & INSTALLATION

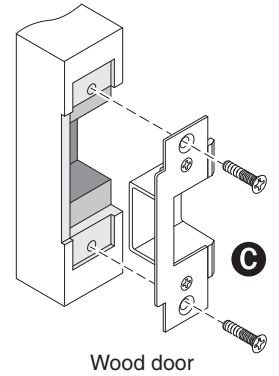
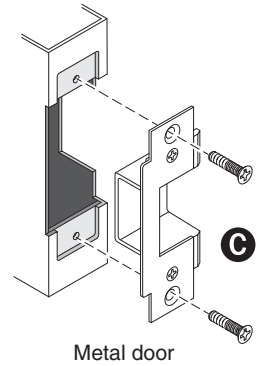
## PREPARATION



METAL		#16
METAL		#12-24
WOOD		5/32" (4 mm) pilot
WOOD		

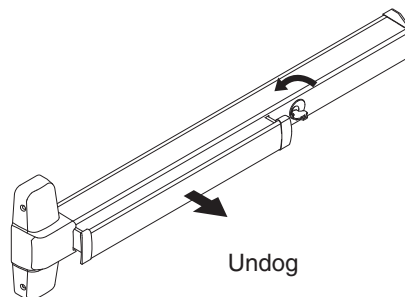
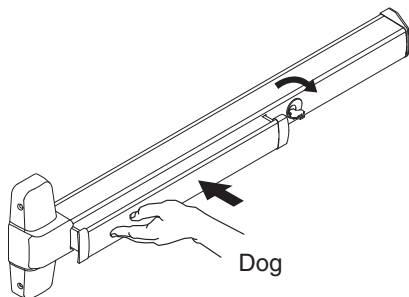
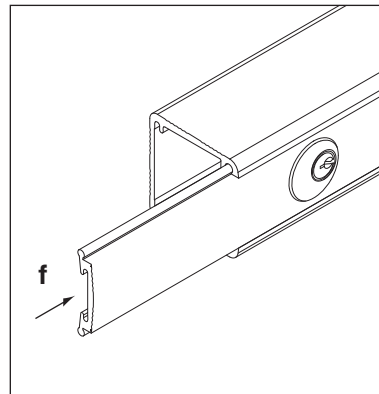
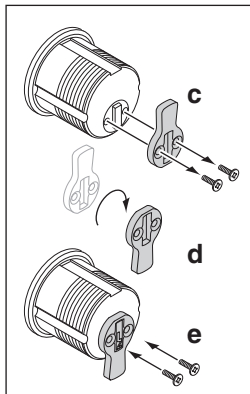
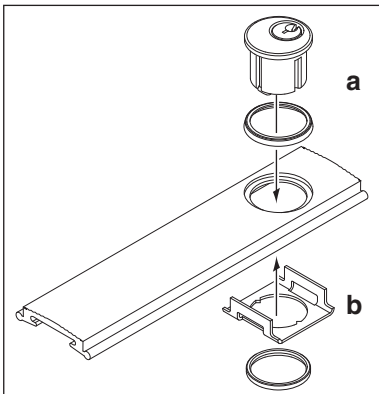


## INSTALLATION



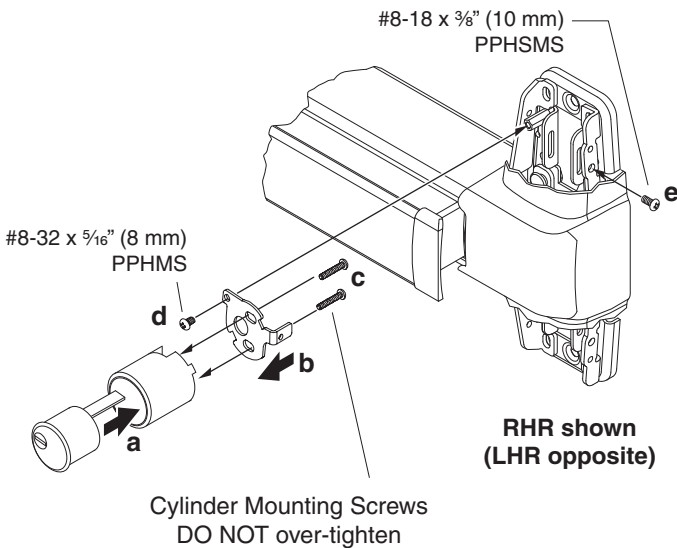
## OPTIONAL EQUIPMENT

### CD (Cylinder Dogging) Option

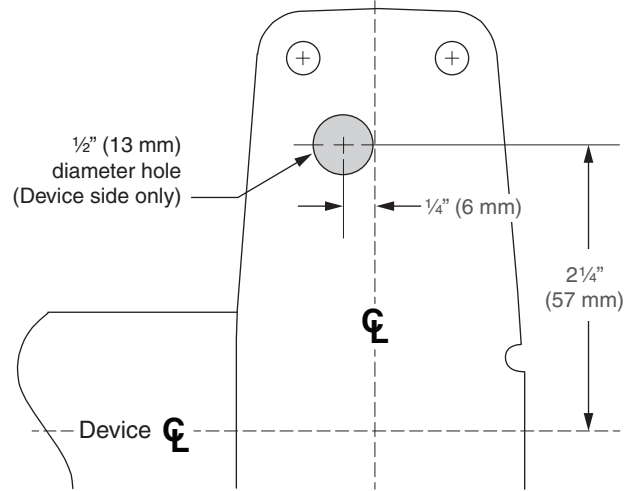


## OPTIONAL EQUIPMENT (98/9975-2 DOUBLE CYLINDER)

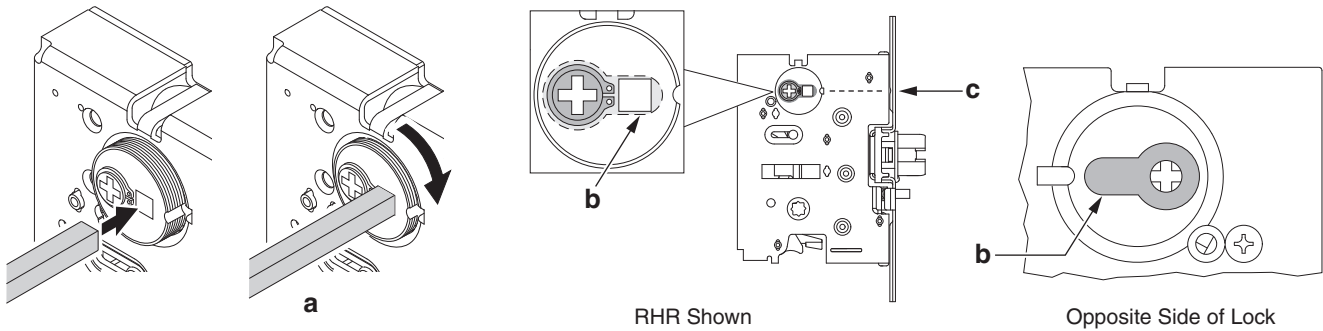
### Install Cylinder



### Door Cutout for 98/9975-2 "Double Cylinder" Option

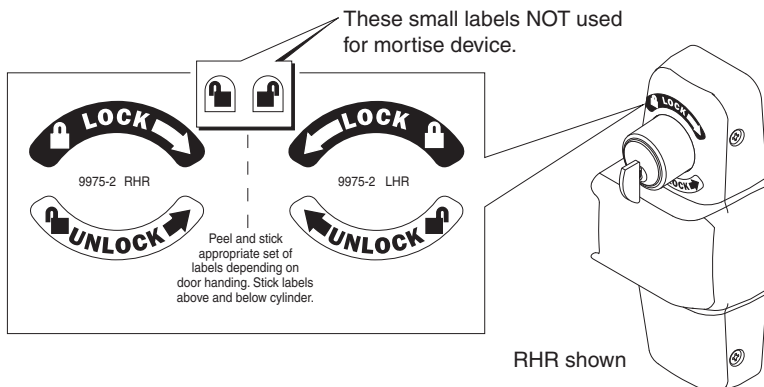


### Install Cylinder Adapter Plug Assembly to Mortise Lock



- Screw cylinder adapter plug assembly into lock on device side using a 1/4" (6 mm) square socket driver.
- Position finger as shown.
- Tighten cylinder screw to hold in place.

A lock/unlock label is an available option that can be used with the 98/9975-2, and is sold separately. The labels are applied above and below cylinder to match door handing.



#### **i** Manually affix the label:

Ensure surface is clean of dirt, dust, or oils. Clean with alcohol if necessary.

Peel the label from the paper backing and apply to the surface. Minimize handling when applying and use pressure to burnish label to surface. The adhesive will require up to 8 hours to achieve the proper bond.